



PROTECTIVE COVERS/DUST CAPS

Available for both plug and receptacle connectors, protective covers protect the mating surfaces of the connector from physical damage and seal the connector against particle and moisture contamination. Protective covers consist basically of a cylindrical body closed at one end. Although not shown in this catalog, TopFlite offers a protective cover solution for every commercially available connector, including rectangular D-Subs and Micro-D Connectors. Consult your TopFlite Sales Representative for additional product offerings.

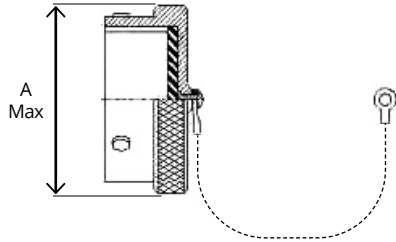
SERIES	DESCRIPTION	PAGE
501 & 502	PROTECTIVE COVERS FOR MIL-DTL-38999 SERIES I	154
510 & 511	PROTECTIVE COVERS FOR MIL-DTL-38999 SERIES II	155
32 & 33	PROTECTIVE COVERS FOR MIL-DTL-38999 SERIES III	156
451 & 452	PROTECTIVE COVERS FOR MIL-DTL-38999 SERIES IV	157
42 & 43	PROTECTIVE COVERS FOR MIL-DTL-5015	158
80 & 81	PROTECTIVE COVERS FOR MIL-DTL-26482	159
123 & 124	PROTECTIVE COVERS FOR VG95234	160
591 & 601	PROTECTIVE COVERS FOR MIL-DTL-83723 SERIES III THREADED	161
592 & 602	PROTECTIVE COVERS FOR MIL-DTL-83723 SERIES III BAYONET	162
M11 & M12	PROTECTIVE COVERS FOR METRIC THREADS	163
S21 & S22	PROTECTIVE COVERS FOR STANDARD THREADS	164
JUP	PROTECTIVE COVERS FOR SORIEAU® JUPITER® CONNECTORS	165
291 & 292	TOPFLITE PROTECTIVE COVER TF291 & TF292 MIL-C-22992	166
261 & 262	TOPFLITE PROTECTIVE COVER TF261 & TF262 MIL-C-26500	168
MR1 & MP1	TOPFLITE PROTECTIVE COVER TFMR1 & TFMP1	170
MR2 & MP2	TOPFLITE PROTECTIVE COVER TFMR2 & TFMP2	172
MP3 & MR3	TOPFLITE PROTECTIVE COVER TFMP3 & TFMR3	174
MNR & MNP	TOPFLITE PROTECTIVE COVER TFMNR & TFMNP	176

TOPFLITE PROTECTIVE COVER

TF501 & TF502

MIL-DTL-38999 SERIES I

TF501 - FOR PLUGS



TF502 - FOR RECEPTACLES

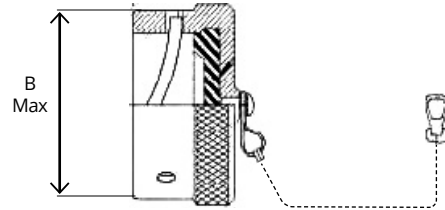


TABLE - PROTECTIVE COVER DIMENSIONS

SHELL SIZE	A MAX	B MAX
9	.820 (20.8)	.844 (21.4)
11	.940 (23.9)	.968 (24.6)
13	1.070 (27.2)	1.125 (28.6)
15	1.190 (30.2)	1.250 (31.8)
17	1.320 (33.5)	1.406 (35.7)
19	1.440 (36.6)	1.500 (38.1)
21	1.570 (39.9)	1.625 (41.3)
23	1.690 (42.9)	1.750 (44.5)
25	1.820 (46.2)	1.875 (47.6)

PART NUMBER BREAKDOWN

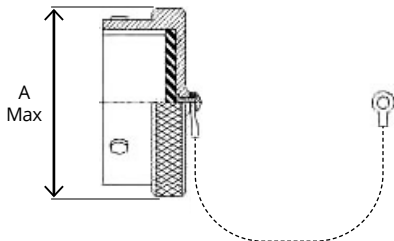
EXAMPLE PART NUMBER	TF	501-	11	W-	55	S-	02
BASIC PART NUMBER							
INTERFACE	501 - MIL-DTL-38999 SERIES I (FOR PLUGS) 502 - MIL-DTL-38999 SERIES I (FOR RECEPTACLES)						
SHELL SIZE							
MATERIAL/ FINISH	W - ALUMINUM W/ O.D. CADMIUM F - ALUMINUM W/ ELECTROLESS NICKEL G - ALUMINUM HARD ANODIZED K - STAINLESS STEEL PASSIVATED A - ALUMINUM BLACK ANODIZED (SEE PAGE 4 FOR ADDITIONAL MATERIALS/FINISHES)						
LANYARD LENGTH	1/2 INCH INCREMENTS (EX. 35 IS 3.5 INCHES)						
ACCESSORY	(SEE PAGE 8)						
EYELET OR RING SIZE	(SEE PAGE 8)						

TOPFLITE PROTECTIVE COVER

TF510 & TF511

MIL-DTL-38999 SERIES II

TF510 - FOR PLUGS



TF511 - FOR RECEPTACLES

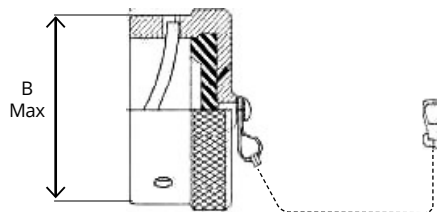


TABLE - PROTECTIVE COVER DIMENSIONS

SHELL SIZE	A MAX	B MAX
8	.720 (18.3)	.719 (18.3)
10	.850 (21.6)	.812 (20.6)
12	1.000 (25.4)	1.000 (25.4)
14	1.130 (28.7)	1.125 (28.6)
16	1.250 (31.8)	1.250 (31.8)
18	1.380 (35.1)	1.375 (34.9)
20	1.500 (38.1)	1.500 (38.1)
22	1.630 (41.4)	1.625 (41.3)
24	1.750 (44.5)	1.750 (44.5)

PART NUMBER BREAKDOWN

EXAMPLE PART NUMBER	TF	510-	11	W-	55	S-	02
BASIC PART NUMBER							
INTERFACE	510 - MIL-DTL-38999 SERIES II (FOR PLUGS) 511 - MIL-DTL-38999 SERIES II (FOR RECEPTACLES)						
SHELL SIZE							
MATERIAL/ FINISH	W - ALUMINUM W/ O.D. CADMIUM F - ALUMINUM W/ ELECTROLESS NICKEL G - ALUMINUM HARD ANODIZED K - STAINLESS STEEL PASSIVATED A - ALUMINUM BLACK ANODIZED (SEE PAGE 4 FOR ADDITIONAL MATERIALS/FINISHES)						
LANYARD LENGTH	1/2 INCH INCREMENTS (EX. 35 IS 3.5 INCHES)						
ACCESSORY	(SEE PAGE 8)						
EYELET OR RING SIZE	(SEE PAGE 8)						

TOPFLITE PROTECTIVE COVER TF32 & TF33 MIL-DTL-38999 SERIES III

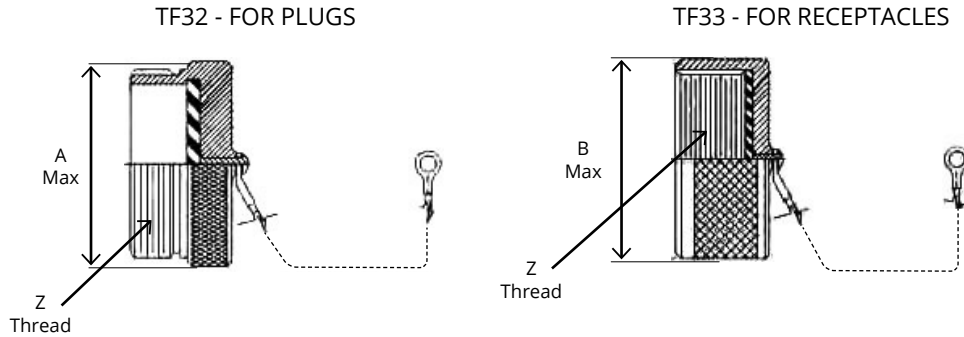


TABLE I - PROTECTIVE COVER DIMENSIONS

SHELL SIZE	Z THREAD	A MAX	B MAX
09 (A)	.6250-0.1P-0.3L-TS	.906 (23.0)	.906 (23.0)
11 (B)	.7500-0.1P-0.3L-TS	1.024 (26.0)	1.102 (28.0)
13 (C)	.8750-0.1P-0.3L-TS	1.220 (31.0)	1.220 (31.0)
15 (D)	1.0000-0.1P-0.3L-TS	1.300 (33.0)	1.260 (32.0)
17 (E)	1.1875-0.1P-0.3L-TS	1.457 (37.0)	1.457 (37.0)
19 (F)	1.2500-0.1P-0.3L-TS	1.575 (40.0)	1.535 (39.0)
21 (G)	1.3750-0.1P-0.3L-TS	1.732 (44.0)	1.654 (42.0)
23 (H)	1.5000-0.1P-0.3L-TS	1.811 (46.0)	1.772 (45.0)
25 (J)	1.6250-0.1P-0.3L-TS	1.969 (50.0)	1.929 (49.0)

PART NUMBER BREAKDOWN

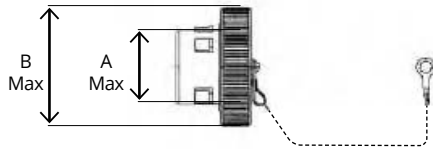
EXAMPLE PART NUMBER	TF	32-	09	W-	55	S-	02	
BASIC PART NUMBER								
INTERFACE	32 - MIL-DTL-38999 SERIES III (FOR PLUGS)		33 - MIL-DTL-38999 SERIES III (FOR RECEPTACLES)					
SHELL SIZE								
MATERIAL/ FINISH	W - ALUMINUM W/ O.D. CADMIUM		F - ALUMINUM W/ ELECTROLESS NICKEL		G - ALUMINUM HARD ANODIZED		K - STAINLESS STEEL PASSIVATED	
	A - ALUMINUM BLACK ANODIZED		(SEE PAGE 4 FOR ADDITIONAL MATERIALS/FINISHES)					
LANYARD LENGTH	1/2 INCH INCREMENTS (EX. 35 IS 3.5 INCHES)							
ACCESSORY	(SEE PAGE 8)							
EYELET OR RING SIZE	(SEE PAGE 8)							

TOPFLITE PROTECTIVE COVER

TF451 & TF452

MIL-DTL-38999 SERIES IV

TF451 - FOR PLUGS



TF452 - FOR RECEPTACLES

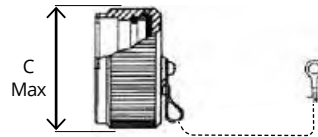


TABLE I - PROTECTIVE COVER DIMENSIONS

SHELL SIZE	A	B	C
11 (B)	.509 (12.9)	1.180 (30.0)	.875 (22.2)
13 (C)	.634 (16.1)	1.320 (33.5)	1.000 (25.4)
15 (D)	.759 (19.3)	1.440 (36.6)	1.125 (28.6)
17 (E)	.885 (22.5)	1.560 (39.6)	1.250 (31.8)
19 (F)	1.009 (25.6)	1.680 (42.7)	1.375 (34.9)
21 (G)	1.134 (28.8)	1.820 (46.2)	1.500 (38.1)
23 (H)	1.259 (32.0)	1.940 (49.3)	1.625 (41.3)
25 (J)	1.384 (35.2)	2.060 (52.3)	1.750 (44.5)

PART NUMBER BREAKDOWN

EXAMPLE PART NUMBER	TF	451-	11	W-	55	S-	02
BASIC PART NUMBER							
INTERFACE	451 - MIL-DTL-38999 SERIES IV (FOR PLUGS) 452 - MIL-DTL-38999 SERIES IV (FOR RECEPTACLES)						
SHELL SIZE							
MATERIAL/ FINISH	W - ALUMINUM W/ O.D. CADMIUM F - ALUMINUM W/ ELECTROLESS NICKEL G - ALUMINUM HARD ANODIZED K - STAINLESS STEEL PASSIVATED A - ALUMINUM BLACK ANODIZED (SEE PAGE 4 FOR ADDITIONAL MATERIALS/FINISHES)						
LANYARD LENGTH	1/2 INCH INCREMENTS (EX. 35 IS 3.5 INCHES)						
ACCESSORY	(SEE PAGE 8)						
EYELET OR RING SIZE	(SEE PAGE 8)						

TOPFLITE PROTECTIVE COVER

TF42 & TF43

MIL-DTL-5015

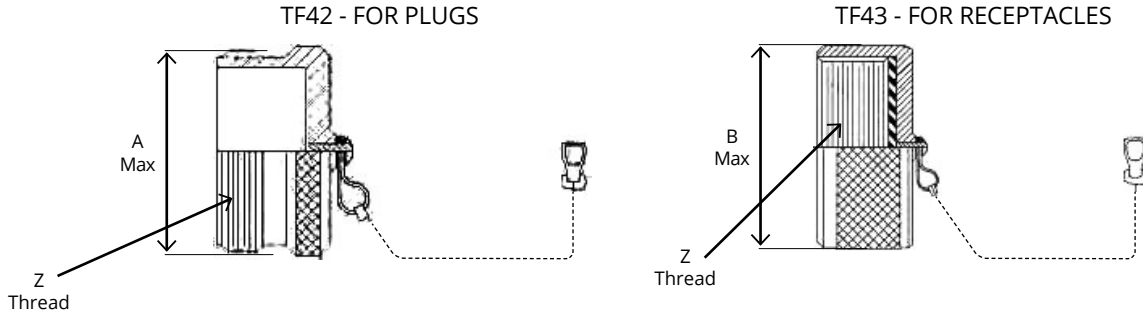


TABLE - PROTECTIVE COVER DIMENSIONS

SHELL SIZE	Z THREAD	A MAX	B MAX
08	1/2 - 28 UNEF	.562 (14.3)	.688 (17.5)
10	5/8 - 24 UNEF	.687 (17.4)	.815 (20.7)
12	3/4 - 20 UNEF	.812 (20.6)	1.000 (25.4)
14	7/8 - 20 UNEF	.937 (23.8)	1.125 (28.6)
16	1 - 20 UNEF	1.062 (27.0)	1.188 (30.2)
18	1 1/8 - 18 UNEF	1.187 (30.1)	1.344 (34.1)
20	1 1/4 - 18 UNEF	1.312 (33.3)	1.469 (37.3)
22	1 3/8 - 18 UNEF	1.437 (36.5)	1.594 (40.5)
24	1 1/2 - 18 UNEF	1.562 (39.7)	1.719 (43.7)
28	1 3/4 - 18 UNS	1.812 (46.0)	1.969 (50.0)
32	2 - 18 UNS	2.062 (52.4)	2.219 (56.4)
36	2 1/4 - 16 UN	2.312 (58.7)	2.469 (62.7)
40	2 1/2 - 16 UN	2.562 (65.1)	2.719 (69.1)
44	2 3/4 - 16 UN	2.812 (71.4)	2.969 (75.4)
48	3 - 16 UN	3.062 (77.8)	3.188 (81.0)

PART NUMBER BREAKDOWN

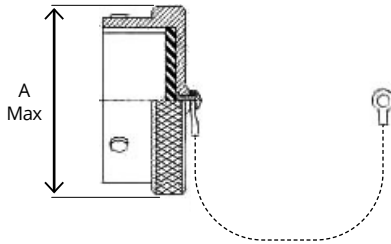
EXAMPLE PART NUMBER	TF	42-	10	W-	55	S-	02
BASIC PART NUMBER							
INTERFACE	42 - MIL-DTL-5015 (FOR PLUGS) 43 - MIL-DTL-5015 (FOR RECEPTACLES)						
SHELL SIZE							
MATERIAL/ FINISH	W - ALUMINUM W/ O.D. CADMIUM F - ALUMINUM W/ ELECTROLESS NICKEL G - ALUMINUM HARD ANODIZED K - STAINLESS STEEL PASSIVATED A - ALUMINUM BLACK ANODIZED (SEE PAGE 4 FOR ADDITIONAL MATERIALS/FINISHES)						
LANYARD LENGTH	1/2 INCH INCREMENTS (EX. 35 IS 3.5 INCHES)						
ACCESSORY	(SEE PAGE 8)						
EYELET OR RING SIZE	(SEE PAGE 8)						

TOPFLITE PROTECTIVE COVER

TF80 & TF81

MIL-DTL-26482

TF80 - FOR PLUGS



TF81 - FOR RECEPTACLES

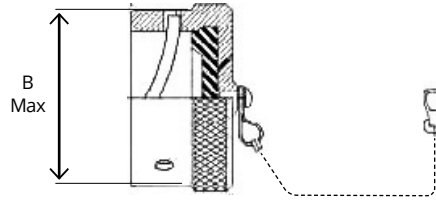


TABLE - PROTECTIVE COVER DIMENSIONS

SHELL SIZE	A MAX	B MAX
08	.719 (18.3)	.734 (18.6)
10	.844 (21.4)	.859 (21.8)
12	1.000 (25.4)	1.000 (25.4)
14	1.125 (28.6)	1.125 (28.6)
16	1.250 (31.8)	1.250 (31.8)
18	1.375 (34.9)	1.375 (34.9)
20	1.500 (38.1)	1.500 (38.1)
22	1.625 (41.3)	1.625 (41.3)
24	1.750 (44.5)	1.750 (44.5)

PART NUMBER BREAKDOWN

EXAMPLE PART NUMBER	TF	80-	10	W-	55	S-	02
BASIC PART NUMBER							
INTERFACE	80 - MIL-DTL-26482 (FOR PLUGS) 81 - MIL-DTL-26482 (FOR RECEPTACLES)						
SHELL SIZE							
MATERIAL/ FINISH	W - ALUMINUM W/ O.D. CADMIUM F - ALUMINUM W/ ELECTROLESS NICKEL G - ALUMINUM HARD ANODIZED K - STAINLESS STEEL PASSIVATED A - ALUMINUM BLACK ANODIZED (SEE PAGE 4 FOR ADDITIONAL MATERIALS/FINISHES)						
LANYARD LENGTH	1/2 INCH INCREMENTS (EX. 35 IS 3.5 INCHES)						
ACCESSORY	(SEE PAGE 8)						
EYELET OR RING SIZE	(SEE PAGE 8)						

TOPFLITE PROTECTIVE COVER TF123 & TF124 VG95234 REVERSE BAYONET

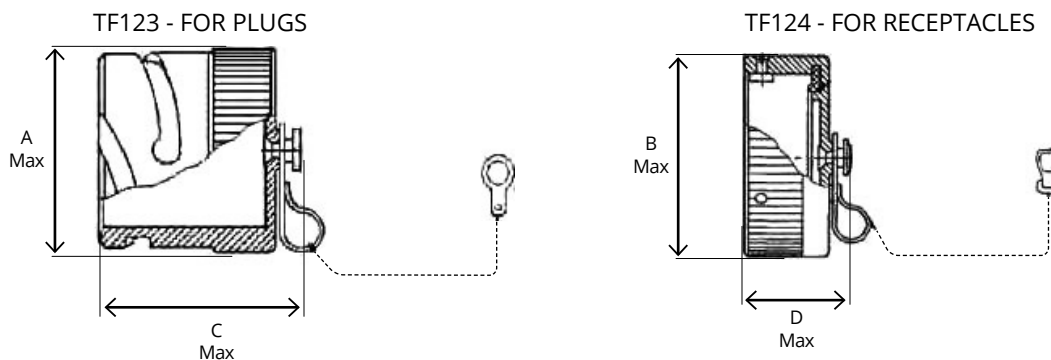


TABLE - PROTECTIVE COVER DIMENSIONS

SHELL SIZE	A MAX	B MAX	C MAX	D MAX
10SL	0.827 (21.00)	0.925 (23.50)	1.142 (29.00)	0.787 (20.00)
12S	0.945 (24.00)	1.063 (27.00)	1.142 (29.00)	0.787 (20.00)
14S	1.083 (27.50)	1.201 (30.50)	1.142 (29.00)	0.787 (20.00)
16S	1.181 (30.00)	1.299 (33.00)	1.142 (29.00)	0.787 (20.00)
16	1.181 (30.00)	1.299 (33.00)	1.457 (37.00)	0.984 (25.00)
18	1.319 (33.50)	1.476 (37.50)	1.457 (37.00)	0.984 (25.00)
20	1.457 (37.00)	1.614 (41.00)	1.457 (37.00)	0.984 (25.00)
22	1.575 (40.00)	1.732 (44.00)	1.457 (37.00)	0.984 (25.00)
24	1.713 (43.50)	1.870 (47.50)	1.457 (37.00)	0.984 (25.00)
28	1.949 (49.50)	2.146 (54.50)	1.457 (37.00)	0.984 (25.00)
32	2.205 (56.00)	2.402 (61.00)	1.457 (37.00)	0.984 (25.00)
36	2.461 (62.50)	2.657 (67.50)	1.457 (37.00)	0.984 (25.00)

PART NUMBER BREAKDOWN

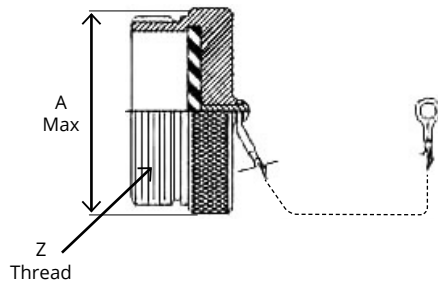
EXAMPLE PART NUMBER	TF	123-	11	W-	55	S-	02
BASIC PART NUMBER							
INTERFACE	123 - MIL-DTL-26482 (FOR PLUGS) 124 - MIL-DTL-26482 (FOR RECEPTACLES)						
SHELL SIZE							
MATERIAL/ FINISH	W - ALUMINUM W/ O.D. CADMIUM F - ALUMINUM W/ ELECTROLESS NICKEL G - ALUMINUM HARD ANODIZED K - STAINLESS STEEL PASSIVATED A - ALUMINUM BLACK ANODIZED (SEE PAGE 4 FOR ADDITIONAL MATERIALS/FINISHES)						
LANYARD LENGTH	1/2 INCH INCREMENTS (EX. 35 IS 3.5 INCHES)						
ACCESSORY	(SEE PAGE 8)						
EYELET OR RING SIZE	(SEE PAGE 8)						

TOPFLITE PROTECTIVE COVER

TF591 & TF601

MIL-DTL-83723 SERIES III THREADED

TF591 - FOR PLUGS



TF601 - FOR RECEPTACLES

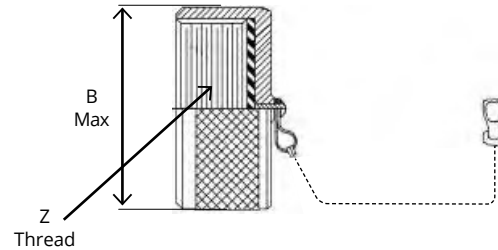


TABLE I - PROTECTIVE COVER DIMENSIONS

SHELL SIZE	Z MAX	A MAX	B MAX
08	9/16 - 24 UNEF	.776 (19.7)	.776 (19.7)
10	11/16 - 24 UNEF	.906 (23.0)	.906 (23.0)
12	7/8 - 20 UNEF	1.078 (27.4)	1.078 (27.4)
14	15/16 - 20 UNEF	1.141 (29.0)	1.141 (29.0)
16	1 1/16 - 18 UNEF	1.266 (32.2)	1.266 (32.2)
18	1 3/16 - 18 UNEF	1.375 (34.9)	1.375 (34.9)
20	1 5/16 - 18 UNEF	1.510 (38.4)	1.510 (38.4)
22	1 7/16 - 18 UNEF	1.625 (41.3)	1.625 (41.3)
24	1 9/16 - 18 UNEF	1.760 (44.7)	1.760 (44.7)

PART NUMBER BREAKDOWN

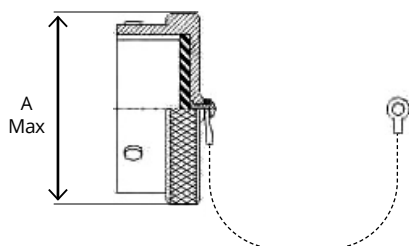
EXAMPLE PART NUMBER	TF	591-	11	W-	55	S-	02
BASIC PART NUMBER							
INTERFACE	591 - MIL-DTL-83723 SERIES III (FOR PLUGS) 601 - MIL-DTL-83723 SERIES III (FOR RECEPTACLES)						
SHELL SIZE							
MATERIAL/ FINISH	W - ALUMINUM W/ O.D. CADMIUM F - ALUMINUM W/ ELECTROLESS NICKEL G - ALUMINUM HARD ANODIZED K - STAINLESS STEEL PASSIVATED A - ALUMINUM BLACK ANODIZED (SEE PAGE 4 FOR ADDITIONAL MATERIALS/FINISHES)						
LANYARD LENGTH	1/2 INCH INCREMENTS (EX. 35 IS 3.5 INCHES)						
ACCESSORY	(SEE PAGE 8)						
EYELET OR RING SIZE	(SEE PAGE 8)						

TOPFLITE PROTECTIVE COVER

TF592 & TF602

MIL-DTL-83723 SERIES III BAYONET

TF592 - FOR PLUGS



TF602 - FOR RECEPTACLES

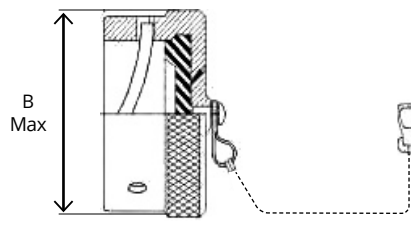


TABLE - PROTECTIVE COVER DIMENSIONS

SHELL SIZE	A MAX	B MAX
08	.776 (19.7)	.776 (19.7)
10	.906 (23.0)	.906 (23.0)
12	1.078 (27.4)	1.078 (27.4)
14	1.141 (29.0)	1.141 (29.0)
16	1.266 (32.2)	1.266 (32.2)
18	1.375 (34.9)	1.375 (34.9)
20	1.510 (38.4)	1.510 (38.4)
22	1.625 (41.3)	1.625 (41.3)
24	1.760 (44.7)	1.760 (44.7)

PART NUMBER BREAKDOWN

EXAMPLE PART NUMBER	TF	592-	08	W-	55	S-	02
BASIC PART NUMBER							
INTERFACE	592 - MIL-DTL-83723 SERIES III (FOR PLUGS) 602 - MIL-DTL-83723 SERIES III (FOR RECEPTACLES)						
SHELL SIZE							
MATERIAL/ FINISH	W - ALUMINUM W/ O.D. CADMIUM F - ALUMINUM W/ ELECTROLESS NICKEL G - ALUMINUM HARD ANODIZED K - STAINLESS STEEL PASSIVATED A - ALUMINUM BLACK ANODIZED (SEE PAGE 4 FOR ADDITIONAL MATERIALS/FINISHES)						
LANYARD LENGTH	1/2 INCH INCREMENTS (EX. 35 IS 3.5 INCHES)						
ACCESSORY	(SEE PAGE 8)						
EYELET OR RING SIZE	(SEE PAGE 8)						

TOPFLITE PROTECTIVE COVER TFM11 & TFM12 METRIC THREADED CAPS

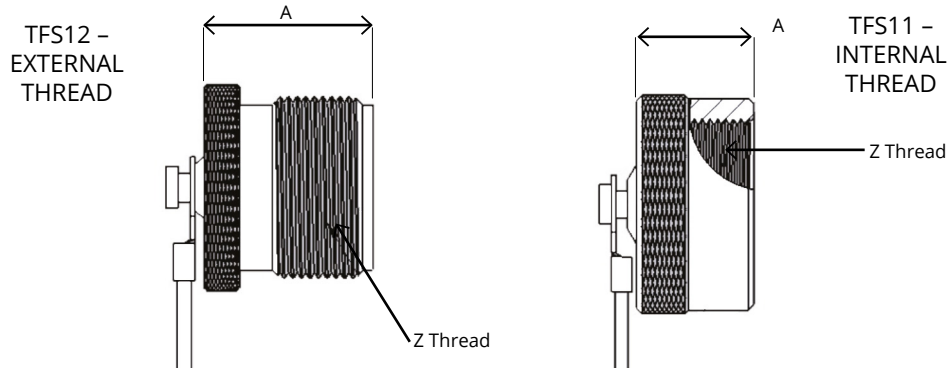


TABLE 1 - PROTECTIVE COVER DIMENSIONS		
SIZE	A MAX	Z THREAD
01	0.250	M4X0.7
02	0.250	M5X0.8
03	0.250	M6X1.0
04	0.250	M6X0.75
05	0.250	M7X1.0
06	0.375	M8X1.25
07	0.375	M8X1.0
08	0.375	M10X1.5
09	0.375	M10X1.25
10	0.375	M10X1.0
11	0.375	M12X1.75
12	0.375	M12X1.5

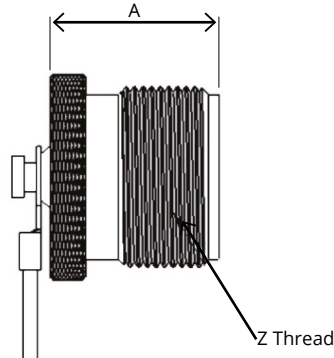
TABLE 1 - PROTECTIVE COVER DIMENSIONS		
SIZE	A MAX	Z THREAD
13	0.375	M12X1.25
14	0.500	M14X2.0
15	0.500	M16X2.0
16	0.500	M16X1.5
17	0.500	M18X2.5
18	0.500	M20X2.5
19	0.500	M20X1.5
20	0.650	M22X2.5
21	0.650	M24X3.0
22	0.650	M27X3.0
23	0.650	M30X3.5

Additional thread sizes available. please consult factory

PART NUMBER BREAKDOWN							
EXAMPLE PART NUMBER	TFM	11-	10	W-	55	S-	02
BASIC PART NUMBER							
INTERFACE	11 - INTERNAL THREAD STYLE 12 - EXTERNAL THREAD STYLE						
SHELL SIZE							
MATERIAL/ FINISH	W - ALUMINUM W/ O.D. CADMIUM F - ALUMINUM W/ ELECTROLESS NICKEL G - ALUMINUM HARD ANODIZED K - STAINLESS STEEL PASSIVATED A - ALUMINUM BLACK ANODIZED (SEE PAGE 4 FOR ADDITIONAL MATERIALS/FINISHES)						
LANYARD LENGTH	1/2 INCH INCREMENTS (EX. 35 IS 3.5 INCHES)						
ACCESSORY	(SEE PAGE 8)						
EYELET OR RING SIZE	(SEE PAGE 8)						

TOPFLITE PROTECTIVE COVER S21 & S22 STANDARD THREADED CAPS

TFS22 -
EXTERNAL
THREAD



TFS21 -
INTERNAL
THREAD

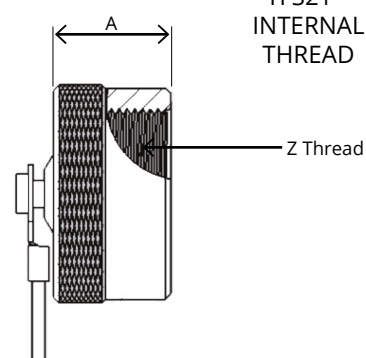


TABLE 1 - PROTECTIVE COVER
DIMENSIONS

SIZE	A MAX	Z THREAD
01	0.250	6-32
02	0.250	8-32
03	0.250	10-24
04	0.250	10-32
05	0.250	12-24
06	0.375	1/4-20
07	0.375	1/4-28
08	0.375	5/16-18
09	0.375	5/16-24
10	0.375	3/8-16
11	0.375	3/8-24

TABLE 1 - PROTECTIVE COVER
DIMENSIONS

SIZE	A MAX	Z THREAD
12	0.375	7/16-14
13	0.375	7/16-20
14	0.500	1/2-13
15	0.500	1/2-20
16	0.500	9/16-12
17	0.500	9/16-18
18	0.500	5/8-11
19	0.500	5/8-18
20	0.650	3/8-10
21	0.650	3/8-16
22	0.650	7/8-9

TABLE 1 - PROTECTIVE COVER
DIMENSIONS

SIZE	A MAX	Z THREAD
23	0.650	7/8-14
24	0.650	1-8
25	0.650	1-12
26	0.650	1-14
27	0.650	1-1/8-7
28	0.650	1-1/8-12
29	0.750	1-1/4-7
30	0.750	1-1/4-12
31	0.750	1-3/8-6
32	0.750	1-1/2-6
33	0.750	1-1/2-12

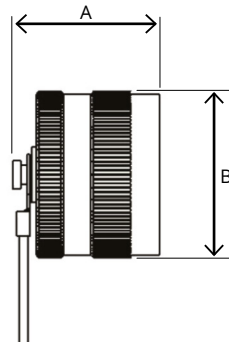
Additional thread sizes available. please consult factory

PART NUMBER BREAKDOWN

EXAMPLE PART NUMBER	TFS	21-	10	W-	55	S-	02
BASIC PART NUMBER							
INTERFACE	21 - INTERNAL THREAD STYLE 22 - EXTERNAL THREAD STYLE						
SHELL SIZE							
MATERIAL/ FINISH	W - ALUMINUM W/ O.D. CADMIUM F - ALUMINUM W/ ELECTROLESS NICKEL G - ALUMINUM HARD ANODIZED K - STAINLESS STEEL PASSIVATED A - ALUMINUM BLACK ANODIZED (SEE PAGE 4 FOR ADDITIONAL MATERIALS/FINISHES)						
LANYARD LENGTH	1/2 INCH INCREMENTS (EX. 35 IS 3.5 INCHES)						
ACCESSORY	(SEE PAGE 8)						
EYELET OR RING SIZE	(SEE PAGE 8)						

TOPFLITE PROTECTIVE COVER JUP

R - RECEPTACLE CAP



P - PLUG CAP

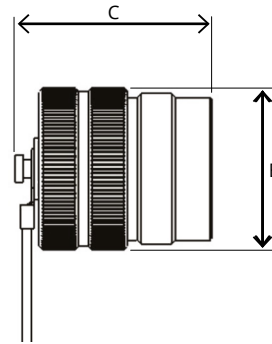


TABLE 1 - PROTECTIVE COVER DIMENSIONS

SHELL SIZE	A MAX	B Ø	C MAX	THREAD
08	1.180	0.800	1.062	M17X1.0
10	1.500	1.000	1.250	M21X1.0
14	1.500	1.300	1.300	M29X1.0
20	2.000	1.750	1.850	M41X1.0

PART NUMBER BREAKDOWN

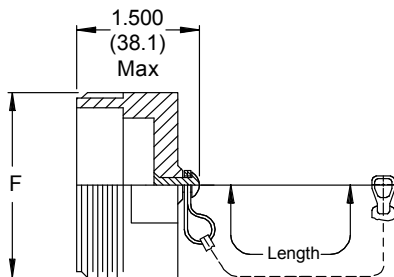
EXAMPLE PART NUMBER	TF-JUP	P	11	W-	55	S-	02
BASIC PART NUMBER							
INTERFACE	P - PLUG CAP EXTERNAL THREAD R - RECEPTACLE CAP INTERNAL THREAD						
SHELL SIZE							
MATERIAL/ FINISH	W - ALUMINUM W/ O.D. CADMIUM F - ALUMINUM W/ ELECTROLESS NICKEL G - ALUMINUM HARD ANODIZED K - STAINLESS STEEL PASSIVATED A - ALUMINUM BLACK ANODIZED (SEE PAGE 4 FOR ADDITIONAL MATERIALS/FINISHES)						
LANYARD LENGTH	1/2 INCH INCREMENTS (EX. 35 IS 3.5 INCHES)						
ACCESSORY	(SEE PAGE 8)						
EYELET OR RING SIZE	(SEE PAGE 8)						

TOPFLITE PROTECTIVE COVER

TF291 & TF292

MIL-C-22992

TF291 PLUGS



TF292 RECEPTACLES

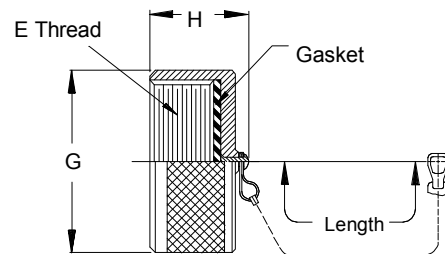


TABLE X: SHELL SIZE DIMENSIONS

SHELL SIZE	E THREAD	F MAX	G MAX	H MAX
12	.8750-0.1P-0.2L-DS	.875 (22.2)	1.094 (27.8)	.765 (19.4)
14	1.0000-0.1P-0.2L-DS	1.000 (25.4)	1.219 (31.0)	.765 (19.4)
16	1.1250-0.1P-0.2L-DS	1.125 (28.6)	1.344 (34.1)	.980 (24.9)
18	1.2500-0.1P-0.2L-DS	1.250 (31.8)	1.469 (37.3)	.980 (24.9)
20	1.3750-0.1P-0.2L-DS	1.375 (34.9)	1.562 (39.7)	.980 (24.9)
22	1.5000-0.1P-0.2L-DS	1.500 (38.1)	1.688 (42.9)	.980 (24.9)
24	1.7500-0.1P-0.2L-DS	1.750 (44.5)	1.938 (49.2)	.980 (24.9)
28	2.0000-0.1P-0.2L-DS	2.000 (50.8)	2.219 (56.4)	.980 (24.9)
32	2.2500-0.1P-0.2L-DS	2.250 (57.2)	2.469 (62.7)	.980 (24.9)
36	2.5000-0.1P-0.2L-DS	2.500 (63.5)	2.719 (69.1)	.980 (24.9)
40	2.7500-0.1P-0.2L-DS	2.750 (69.9)	2.969 (75.4)	.980 (24.9)

PART NUMBER BREAKDOWN							
EXAMPLE PART NUMBER	TF292-	20	F-	35	S-	02	-ZXXX
BASIC PART NUMBER	TF291- MIL-C-22992 (For Plugs) TF292- MIL-C-22992 (For Receptacles)						
SHELL SIZE	12, 20, 22, ETC.						
MATERIAL/ FINISH	F - ALUMINUM W/ ELECTROLESS NICKEL Z - ALUMINUM W/ BLACK ZINC NICKEL A - ALUMINUM W/ BLACK ANODIZE D - ALUMINUM W/ OLIVE DRAB CADMIUM T - ALUMINUM W/ NICKEL TEFLON/PDTE K - STAINLESS W/ PASSIVATION TREATMENT (SEE PAGE 4 FOR MATERIAL AND FINISH SPECIFICATIONS & ADDITIONAL FINISHES)						
LENGTH	1/2 INCH INCREMENTS (EX. 35 IS 3.5 INCHES)						
ACCESSORY	(SEE PAGE 8)						
EYELET OR RING SIZE	(SEE PAGE 8)						
Z-CODE	Z112 Z090 Z030 ETC. (CONTACT SALES STAFF IF A Z-CODE IS REQUIRED FOR A CUSTOM CONFIRGURATION/OPTION(S). OMIT FOR NONE)						

TOPFLITE PROTECTIVE COVER

TF261 & TF262

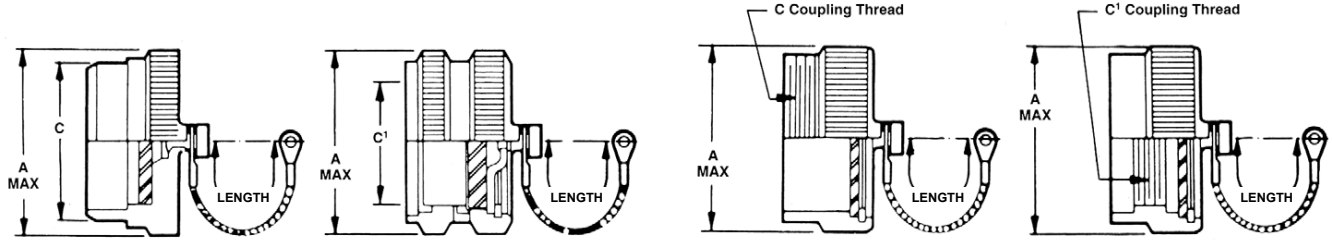
MIL-C-26500

TF261B PLUG CAP

TF262B RECEPTACLE CAP

TF261 PLUG CAP

TF261 RECEPTACLE CAP



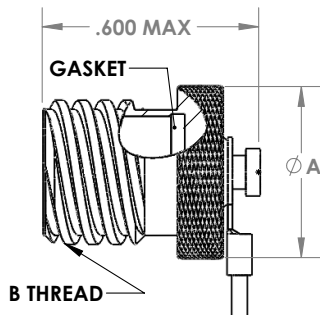
TF261 & TF262 DIMENSIONAL DATA

SIZE	A MAX. DIA.	B TYP		G DIM	
		PLUG	RECEPTACLE	PLUG	RECEPTACLE
		C +.000 -.005	C' +.005 -.000	C THREAD UNEF-2A	C' THREAD UNEF-2B
10	.906	.659	.662	.6875-24	.6875-24
12	1.078	.829	.832	.8750-20	.8750-20
14	1.141	.898	.901	.9375-20	.9375-20
16	1.266	1.025	1.028	1.0625-18	1.0625-18
18	1.375	1.131	1.134	1.1875-18	1.1875-18
20	1.510	1.256	1.263	1.3125-18	1.3125-18
22	1.625	1.381	1.384	1.4375-18	1.4375-18
24	1.760	1.506	1.511	1.5625-18	1.5625-18

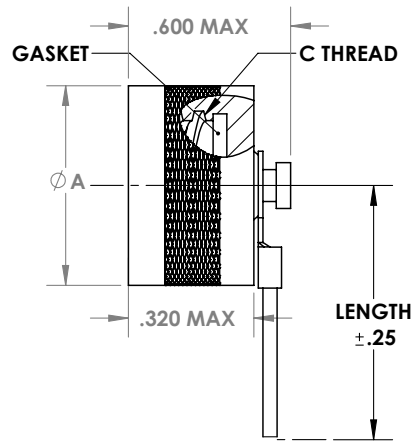
PART NUMBER BREAKDOWN							
EXAMPLE PART NUMBER	TF261B-	20	F-	35	S-	02	-ZXXX
BASIC PART NUMBER	TF261B- MIL-C-22992 (For Bayonet Plugs) TF262B- MIL-C-22992 (For Bayonet Receptacles) TF261- MIL-C-22992 (For Threaded Plugs) TF262- MIL-C-22992 (For Threaded Receptacles)						
SHELL SIZE	12, 20, 22, ETC.						
MATERIAL/ FINISH	F- ALUMINUM W/ ELECTROLESS NICKEL Z - ALUMINUM W/ BLACK ZINC NICKEL A- ALUMINUM W/ BLACK ANODIZE D- ALUMINUM W/ OLIVE DRAB CADMIUM T- ALUMINUM W/ NICKEL TEFLON/PTFE K- STAINLESS W/ PASSIVATION TREATMENT (SEE PAGE 4 FOR MATERIAL AND FINISH SPECIFICATIONS & ADDITIONAL FINISHES)						
LENGTH	1/2 INCH INCREMENTS (EX. 35 IS 3.5 INCHES)						
ACCESSORY	(SEE PAGE 8)						
EYELET OR RING SIZE	(SEE PAGE 8)						
Z-CODE	Z112 Z090 Z030 ETC. (CONTACT SALES STAFF IF A Z-CODE IS REQUIRED FOR A CUSTOM CONFIGURATION/OPTION(S). OMIT FOR NONE)						

TOPFLITE PROTECTIVE COVER TFMR1 & TFMP1

TFMP1 PLUG CAP



TFMR1 RECEPTACLE CAP



TFMR1 & TFMP1 DIMENSIONAL DATA

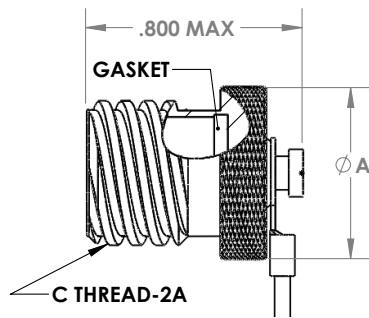
Shell Size	A MAX.		B	C
	IN.	MM.		
5	.462	11.73	.3125-28 UN-2A	.3125-28 UN-2B
6	.525	10.80	.3750-28 UN-2A	.3750-28 UN-2B
7	.588	14.94	.4375-28 UNEF-2A	.4375-28 UNEF-2B
8	.650	16.51	.5000-32 UN-2A	.5000-32 UN-2B
9	.713	18.11	.5625-32 UN-2A	.5625-32 UN-2B
10	.838	21.29	.6250-32 UN-2A	.6250-32 UN-2B
12	.900	22.86	.7500-28 UN-2A	.7500-28 UN-2B

PART NUMBER BREAKDOWN							
EXAMPLE PART NUMBER	TFMR1-	12	F-	35	S-	02	-ZXXX
BASIC PART NUMBER	TFMP1- UN-THREAD MICRO CONNECTOR (M&M™) CAP (For Plugs) TFMR1- UN-THREAD MICRO CONNECTOR (M&M™) CAP (For Receptacles)						
SHELL SIZE	5, 6, 7, 8, 9, 10, 12						
MATERIAL/ FINISH	F- ALUMINUM W/ ELECTROLESS NICKEL Z - ALUMINUM W/ BLACK ZINC NICKEL A - ALUMINUM W/ BLACK ANODIZE D - ALUMINUM W/ OLIVE DRAB CADMIUM T - ALUMINUM W/ NICKEL TEFLON/PDTE K - STAINLESS W/ PASSIVATION TREATMENT (SEE PAGE 4 FOR MATERIAL AND FINISH SPECIFICATIONS & ADDITIONAL FINISHES)						
LENGTH	1/2 INCH INCREMENTS (EX. 35 IS 3.5 INCHES)						
ACCESSORY	(SEE PAGE 8)						
EYELET OR RING SIZE	(SEE PAGE 8)						
Z-CODE	Z112 Z090 Z030 ETC. (CONTACT SALES STAFF IF A Z-CODE IS REQUIRED FOR A CUSTOM CONFIGURATION/OPTION(S). OMIT FOR NONE)						

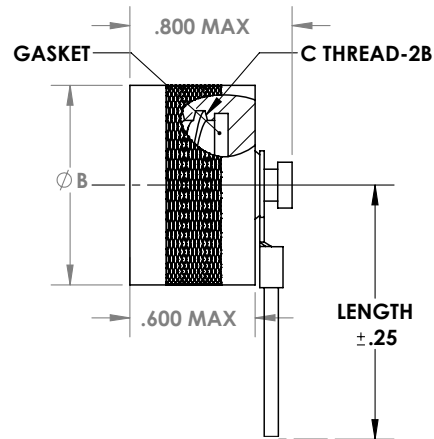
TOPFLITE PROTECTIVE COVER

TFMR2 & TFMP2

TFMP2 PLUG CAP



TFMP2 RECEPTACLE CAP



TFMR2 & TFMP2 DIMENSIONAL DATA

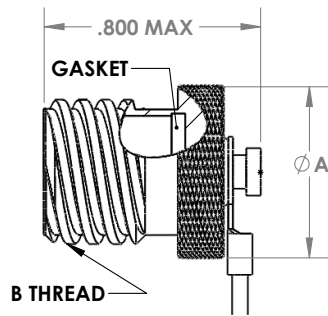
Shell Size	Ø A MAX.		Ø B Max.		Ø D Max. ±.015 (0.38)		C Thread
	IN.	MM.	IN.	MM.	IN.	MM.	
5	.465	11.8	.488	12.40	.368	9.3	.3125-.05P-.1L
6	.525	13.3	.555	14.10	.453	11.5	.375-.05P-.1L
7	.590	14.9	.615	15.62	.538	13.7	.4375-.05P-.1L
8	.653	16.6	.675	17.15	.587	14.9	.5000-.05-.1L
9	.715	18.0	.840	21.34	.648	16.5	.5625-.05P-.1L
10	.778	19.7	.905	22.95	.712	18.1	.6250-.05P-.1L
11	.840	21.3	.948	24.1	.778	19.8	.6875-.05P-.1L
13	.965	24.4	.995	25.27	.904	22.9	.8125-.1P-.2L
16	1.150	29.2	1.261	32.03	1.092	27.7	1.000-.1P-.2L
17	1.215	30.8	1.321	33.55	1.158	29.4	1.062-.1P-.2L
19	1.340	34.0	1.447	36.8	1.283	32.6	1.1875-.1P-.2L
21	1.477	37.5	1.570	39.88	1.412	35.8	1.3125-.1P-.2L

PART NUMBER BREAKDOWN							
EXAMPLE PART NUMBER	TFMR2	13	F-	35	S-	02	-ZXXX
BASIC PART NUMBER	TFMP2 - DOUBLE START THREAD MICRO CONNECTOR (M&M™)CAP (For Plugs) TFMR2 - DOUBLE START THREAD MICRO CONNECTOR (M&M™)CAP (For Receptacles)						
SHELL SIZE	5, 6, 7, 8, 9, 10, 11, 13, 16, 17, 19, 21						
MATERIAL/ FINISH	F- ALUMINUM W/ ELECTROLESS NICKEL Z - ALUMINUM W/ BLACK ZINC NICKEL A - ALUMINUM W/ BLACK ANODIZE D - ALUMINUM W/ OLIVE DRAB CADMIUM T - ALUMINUM W/ NICKEL TEFLON/PDTE K - STAINLESS W/ PASSIVATION TREATMENT (SEE PAGE 4 FOR MATERIAL AND FINISH SPECIFICATIONS & ADDITIONAL FINISHES)						
LENGTH	1/2 INCH INCREMENTS (EX. 35 IS 3.5 INCHES)						
ACCESSORY	(SEE PAGE 8)						
EYELET OR RING SIZE	(SEE PAGE 8)						
Z-CODE	Z112 Z090 Z030 ETC. (CONTACT SALES STAFF IF A Z-CODE IS REQUIRED FOR A CUSTOM CONFIGURATION/OPTION(S). OMIT FOR NONE)						

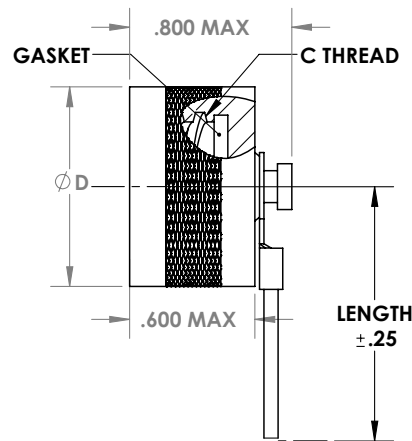
TOPFLITE PROTECTIVE COVER

TFMP3 & TFMR3

TFMP3 PLUG CAP



TFMR3 RECEPTACLE CAP



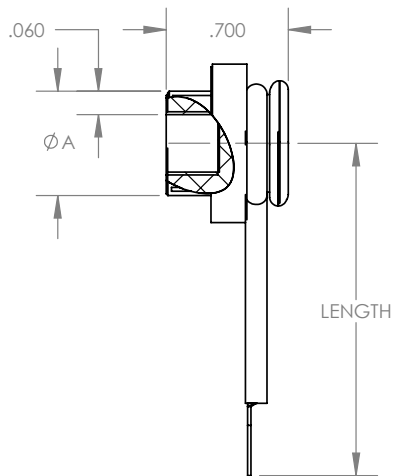
TFMP3 & TFMR3 DIMENSIONAL DATA

Shell Size	A ±.015 (.38)		D ±.015 (.38)		B THREAD	C Thread
	IN.	MM.	IN.	MM.		
8	.653	16.59	.653	16.59	.5000-.1P-.3L-TS-2A	.5000-.1P-.3L-TS-2B
9	.715	18.16	.715	18.16	.5625-.1P-.3L-TS-2A	.5625-.1P-.3L-TS-2B
10	.778	19.76	.778	19.76	.6250-.1P-.3L-TS-2A	.6250-.1P-.3L-TS-2B
11	.841	21.36	.850	21.59	.6875-.1P-.3L-TS-2A	.6875-.1P-.3L-TS-2B
12	.903	22.94	.903	22.94	.7500-.1P-.3L-TS-2A	.7500-.1P-.3L-TS-2B
13	.965	24.51	.965	24.51	.8125-.1P-.3L-TS-2A	.8125-.1P-.3L-TS-2B
15	1.091	27.71	1.091	27.71	.9375-.1P-.3L-TS-2A	.9375-.1P-.3L-TS-2B
18	1.278	32.46	1.278	32.46	1.1250-.1P-.3L-TS-2A	1.1250-.1P-.3L-TS-2B
19	1.340	34.04	1.340	34.04	1.1870-.1P-.3L-TS-2A	1.1870-.1P-.3L-TS-2B
21	1.490	37.85	1.490	37.85	1.3125-.1P-.3L-TS-2A	1.3125-.1P-.3L-TS-2B
23	1.600	40.64	1.600	40.64	1.4375-.1P-.3L-TS-2A	1.4375-.1P-.3L-TS-2B

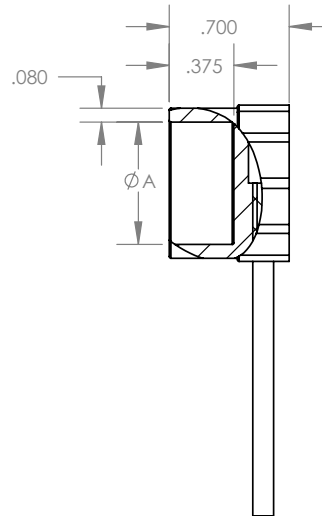
PART NUMBER BREAKDOWN							
EXAMPLE PART NUMBER	TFMR3-	13	F-	35	S-	02	-ZXXX
BASIC PART NUMBER	TFMP3- TRIPLE START THREAD MICRO CONNECTOR (M&M™)CAP (For Plugs) TFMR3- TRIPLE START THREAD MICRO CONNECTOR (M&M™)CAP (For Receptacles)						
SHELL SIZE	8, 9, 10, 11, 12, 13, 15, 18, 19, 21, 23						
MATERIAL/ FINISH	F- ALUMINUM W/ ELECTROLESS NICKEL Z - ALUMINUM W/ BLACK ZINC NICKEL A - ALUMINUM W/ BLACK ANODIZE D - ALUMINUM W/ OLIVE DRAB CADMIUM T - ALUMINUM W/ NICKEL TEFLON/PDTE K - STAINLESS W/ PASSIVATION TREATMENT (SEE PAGE 4 FOR MATERIAL AND FINISH SPECIFICATIONS & ADDITIONAL FINISHES)						
LENGTH	1/2 INCH INCREMENTS (EX. 35 IS 3.5 INCHES)						
ACCESSORY	(SEE PAGE 8)						
EYELET OR RING SIZE	(SEE PAGE 8)						
Z-CODE	Z112 Z090 Z030 ETC. (CONTACT SALES STAFF IF A Z-CODE IS REQUIRED FOR A CUSTOM CONFIGURATION/OPTION(S). OMIT FOR NONE)						

TOPFLITE PROTECTIVE COVER TFMNR & TFMNP

TFMNP PLUG CAP



TFMNR RECEPTACLE CAP



DIMENSIONS	
SIZE	DIM A
01	0.25
02	0.30
03	0.35
04	0.40
05	0.45
06	0.50
07	0.55
08	0.60
09	0.65
10	0.70

DIMENSIONS	
SIZE	DIM A
11	0.75
12	0.80
13	0.85
14	0.90
15	0.95
16	1.00
17	1.05
18	1.10
19	1.15
20	1.20

DIMENSIONS	
SIZE	DIM A
21	1.25
22	1.30
23	1.35
24	1.40
25	1.45
26	1.50
27	1.55
28	1.60
29	1.65
30	1.70

DIMENSIONS	
SIZE	DIM A
31	1.75
32	1.80
33	1.85
34	1.90
35	1.95
36	2.00
37	2.05
38	2.10
39	2.15
40	2.20

PART NUMBER BREAKDOWN							
EXAMPLE PART NUMBER	TFMNR-	13	NE-	35	R-	02	-ZXXX
BASIC PART NUMBER	TFMNP- RUBBER CAP (For Plugs) TFMNR- RUBBER CAP (For Receptacles)						
SHELL SIZE	8, 9, 10, 11, ETC.						
MATERIAL/ FINISH	NE - NEOPRENE CAP MATERIAL SL - SILICONE CAP MATERIAL VT - VITON CAP MATERIAL BN - BUNA-N (NITRILE) CAP MATERIAL (BLACK COLOR IS STANDARD)						
LENGTH	1/2 INCH INCREMENTS (EX. 35 IS 3.5 INCHES)						
ACCESSORY	(SEE PAGE 8) (NOTE: MOST COMMON IS BLACK NYLON ROPE)						
EYELET OR RING SIZE	(SEE PAGE 8)						
Z-CODE	Z112 Z090 Z030 ETC. (CONTACT SALES STAFF IF A Z-CODE IS REQUIRED FOR A CUSTOM CONFIGURATION/OPTION(S). OMIT FOR NONE)						