

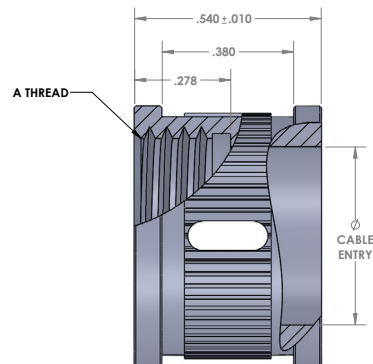


# SHORTING CANS, EXTENDERS, DUMMY STOWAGE RECEPTACLES, & SPECIALY BACKSHELLS

Topflite manufactures a number of connector accessories including shorting caps, dummy stowage receptacles and connector extenders

SERIES	DESCRIPTION	PAGE
<b>TFSS</b>	TFSS SERIES SHORT STUFF BACKSHELL™ SERIES	144
<b>TFDHE</b>	HERMETIC & UN-THREADED TERMINATION ADAPTER	145
<b>34</b>	O-RING SEALED SHORTING CAN BACKSHELL	146
<b>38</b>	CONNECTOR EXTENDER BACKSHELL	148
<b>53</b>	DUMMY STOWAGE RECEPTACLE	150

# TFSS SERIES SHORT STUFF BACKSHELL™ SERIES

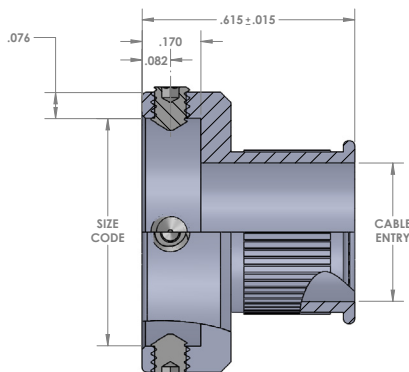


TopFlite specializes in custom and hard to find backshell designs for countless applications and the TFSS series is no different. This series is commonly used where space constraints are an issue since the overall backshell length is just over a half inch. By using a fully customizable mating thread and cable entry range, there becomes an infinite number of size combinations to fit any customer requirement. Customers can also utilize a Z-Code for any specialty features they require. This is a low cost termination option that is universal, meaning it can be adapted for use on virtually any connector series.

## PART NUMBER BREAKDOWN

EXAMPLE PART NUMBER	TFSS	F	07500-18	-02	R	S	M	-ZXXX
<b>STANDARD PREFIX</b>								
<b>MATERIAL/ FINISH</b>	F - ALUMINUM W/ ELECTROLESS NICKEL Z - ALUMINUM W/ BLACK ZINC NICKEL A - ALUMINUM W/ BLACK ANODIZE D - ALUMINUM W/ OLIVE DRAB CADMIUM T - ALUMINUM W/ NICKEL TEFLON/PTFE K - STAINLESS W/ PASSIVATION TREATMENT (SEE PAGE 4 FOR MATERIAL AND FINISH SPECIFICATIONS & ADDITIONAL FINISHES)							
<b>A THREAD</b>	1-20: 10000-20 .750-18: 07500-18 M20X1.0-6H: M20-100-6H M28X.75-6H: M28-075-6H M6X1.0-6H: M06-100-6H ETC.							
<b>CABLE ENTRY</b>	02, 03, 04, ETC. (SEE CABLE ENTRY CHART PAGE 3)							
<b>ORING SEAL</b>	R- INCLUDE SILICONE ORING SEAL OMIT FOR NONE							
<b>SLOT OPTION</b>	S- INCLUDE DOUBLE SLOT FOR SHIELD TERMINATION OMIT FOR NONE							
<b>BAND OPTION</b>	(SEE PAGE 7 FOR TERMINATION BAND OPTIONS. OMIT FOR NONE)							
<b>Z-CODE</b>	Z112 Z090 Z030 ETC. (CONTACT SALES STAFF IF A Z-CODE IS REQUIRED FOR A CUSTOM CONFIGURATION/OPTION(S). OMIT FOR NONE)							

# TFDHE SERIES HERMETIC & UN-THREADED TERMINATION ADAPTER

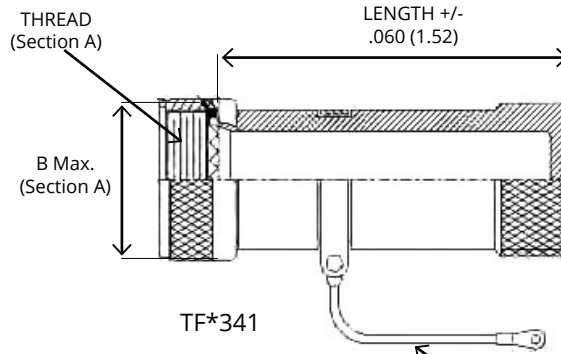


TopFlite specializes in custom and hard to find backshell designs for countless applications and the TFDHE series is no different. This series is commonly used with hermetic connectors as well as applications facing space constraints. The 4-Set Screw design offers a rigid mating interface and by using a fully customizable mating diameter and cable entry range, there becomes an infinite number of size combinations to fit any customer requirement. Customers can also utilize a Z-Code for any specialty features they require. The TFDHE series is TopFlite's answer to equipping connectors or feed-thrus that feature non-threaded or damaged thread back end configurations with a backshell option.

## PART NUMBER BREAKDOWN

EXAMPLE PART NUMBER	TFDHE	1	F	1	1030	-02	M	-ZXXX
<b>STANDARD PREFIX</b>								
<b>ANGLE</b>	1 - STRAIGHT 4 - 45 DEGREE (CONSULT FACTORY FOR DIMENSIONS) 9 - 90 DEGREE (CONSULT FACTORY FOR DIMENSIONS)							
<b>MATERIAL/ FINISH</b>	F - ALUMINUM W/ ELECTROLESS NICKEL Z - ALUMINUM W/ BLACK ZINC NICKEL A - ALUMINUM W/ BLACK ANODIZE D - ALUMINUM W/ OLIVE DRAB CADMIUM T - ALUMINUM W/ NICKEL TEFLON/PTFE K - STAINLESS W/ PASSIVATION TREATMENT (SEE PAGE 4 FOR MATERIAL AND FINISH SPECIFICATIONS & ADDITIONAL FINISHES)							
<b>COUPLING TYPE</b>	1 - DIRECT COUPLING							
<b>SIZE CODE</b>	250 - .250" , .562 - .562", 1412 - 1.412", ETC.							
<b>CABLE ENTRY</b>	02, 03, 04, ETC. (SEE CABLE ENTRY CHART PAGE 3)							
<b>BAND OPTION</b>	(SEE PAGE 7 FOR TERMINATION BAND OPTIONS. OMIT FOR NONE)							
<b>Z-CODE</b>	Z112 Z090 Z030 ETC. (CONTACT SALES STAFF IF A Z-CODE IS REQUIRED FOR A CUSTOM CONFIRGURATION/OPTION(S). OMIT FOR NONE)							

# O-RING SEALED SHORTING CAN BACKSHELL TF\*341 STANDARD



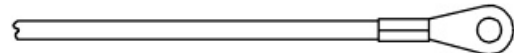
For lanyard / attachment options and specifications see Page 8

Partial information from Page 8

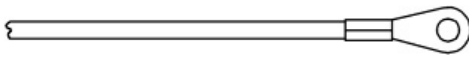
## LANYARDS



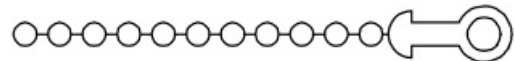
#8 STAINLESS STEEL SASH CHAIN



STAINLESS STEEL WIRE ROPE WITH CHOICE OF JACKET MATERIAL



NYLON ROPE, BLACK



STAINLESS STEEL BEAD CHAIN

TABLE II - LANYARD OPTIONS

ORDERING CODE	DESCRIPTION
X	NO ACCESSORY
R	STAINLESS STEEL WIRE ROPE, PVC JACKET
B	STAINLESS STEEL BEAD CHAIN
S	STAINLESS STEEL SASH CHAIN
G	NYLON ROPE, BLACK
Y	STAINLESS STEEL WIRE ROPE, NYLON JACKET
T	STAINLESS STEEL WIRE ROPE, TEFLON JACKET

PART NUMBER BREAKDOWN										
EXAMPLE PART NUMBER	TF	A	34	1	W	1	16	03	T	3.5
<b>BASIC PART NUMBER</b>										
<b>INTERFACE CODE</b>										
<b>SERIES</b>										
<b>ANGLE</b>	1 - STRAIGHT									
<b>MATERIAL &amp; FINISH</b>	W - ALUMINUM W/ O.D. CADMIUM F - ALUMINUM W/ ELECTROLESS NICKEL G - ALUMINUM HARD ANODIZED K - STAINLESS STEEL PASSIVATED A - ALUMINUM BLACK ANODIZED (SEE PAGE 4 FOR ADDITIONAL MATERIALS/FINISHES)									
<b>BACKSHELL LENGTH</b>	1 - DIRECT COUPLING 2 - SELF-LOCKING COUPLING 3 - RATCHETING COUPLING 4 - ANTI-DECOUPLING VIA WAVE SPRING									
<b>SHELL SIZE</b>	10,13,15,16, ETC. (SEE PAGE 2 FOR INTERFACE CODES)									
<b>LANYARD STYLE</b>	(SEE PAGE 8)									
<b>TERMINATION OPTION</b>	(SEE PAGE 8)									
<b>LANYARD LENGTH</b>	1/2 INCH INCREMENTS (EX. 35 IS 3.5 INCHES)									

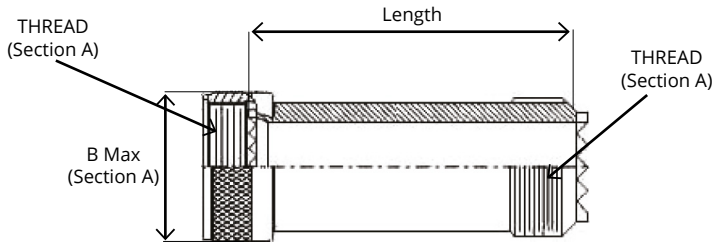
**Disclaimer**

All information in this catalog is believed to be reliable. Readers should independently evaluate each product to confirm suitability with their specific application. Topflite components makes no warranties as to the accuracy or completeness of the information and disclaim any liability regarding its use. Specifications are subject to change without notice. Topflite components processes or materials that do not affect compliance with any applicable specification are subject to change without notice.

# CONNECTOR EXTENDER BACKSHELL

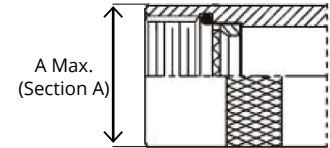
## TF\*381, TF\*384, TF\*389

### STANDARD PROFILE

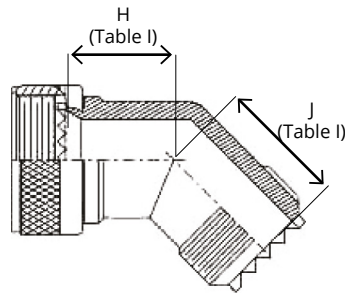


TF\*381

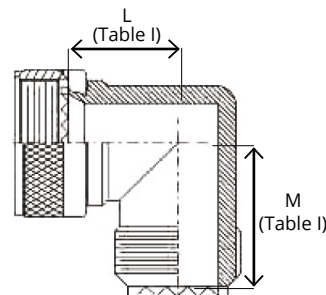
DIRECT COUPLING OPTION (STRAIGHT)



STANDARD PROFILE



TF\*384



TF\*389

DIRECT COUPLING OPTION (45° AND 90°)

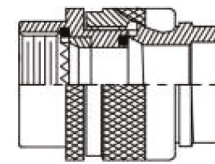


TABLE I  
DIMENSIONAL CHART - 45 AND 90 DEGREE ADAPTERS

SHELL SIZE	H	J	L	M
8, 9 (A)	.940 (23.9)	.890 (22.6)	.830 (21.1)	1.000 (25.4)
10, 11 (B)	1.010 (25.7)	.920 (23.4)	.860 (21.8)	1.070 (27.2)
12, 13 (C)	1.070 (27.2)	.942 (23.9)	.882 (22.4)	1.130 (28.7)
14, 15 (D)	1.130 (28.7)	.970 (24.6)	.900 (22.9)	1.190 (30.2)
16, 17 (E)	1.190 (30.2)	.990 (25.1)	.930 (23.6)	1.250 (31.8)
18, 19 (F)	1.240 (31.5)	1.010 (25.7)	.950 (24.1)	1.300 (33.0)
20, 21 (G)	1.310 (33.3)	1.040 (26.4)	.980 (24.9)	1.370 (34.8)
22, 23 (H)	1.360 (34.5)	1.060 (26.9)	1.000 (25.4)	1.420 (36.1)
24, 25 (I)	1.540 (39.1)	1.090 (27.7)	1.030 (26.2)	1.490 (37.8)

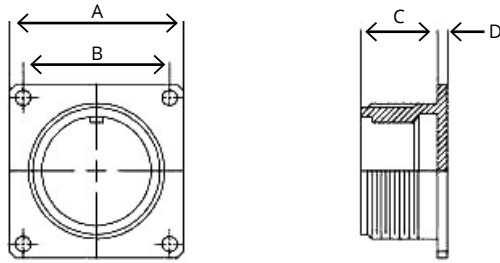
PART NUMBER BREAKDOWN									
EXAMPLE PART NUMBER	TF	A	38	1	F	2	-08	8	-ZXXX
STANDARD PREFIX									
CONNECTOR INTERFACE	A - MIL-DTL-5015, MIL-DTL-26482 SERIES II, MIL-DTL-83723 SERIES III B - MIL-DTL-26482 SERIES I C - MIL-DTL-38999 SERIES I & II D - MIL-DTL-38999 SERIES III & IV (PLEASE REFER TO PAGE 2 FOR ADDITIONAL INTERFACE CODES)								
SERIES	48								
ANGLE	1 - STRAIGHT 4 - 45 DEGREE 9 - 90 DEGREE								
MATERIAL & FINISH	F - ALUMINUM W/ ELECTROLESS NICKEL Z - ALUMINUM W/ BLACK ZINC NICKEL A - ALUMINUM W/ BLACK ANODIZE D - ALUMINUM W/ OLIVE DRAB CADMIUM T - ALUMINUM W/ NICKEL TEFLON/PTFE K - STAINLESS W/ PASSIVATION TREATMENT (SEE PAGE 4 FOR MATERIAL AND FINISH SPECIFICATIONS & ADDITIONAL FINISHES)								
COUPLING TYPE	1 - DIRECT COUPLING 2 - SELF-LOCKING COUPLING 3 - RATCHETING COUPLING 4 - ANTI-DECOUPLING VIA WAVE SPRING								
SHELL SIZE	08 11 15 ETC.								
LENGTH	1/4 INCREMENTS, FOR EXAMPLE: 3 = 0.75" , 7 = 1.75" , ETC. (OMIT FOR STANDARD 1.5 INCH LENGTH) (STRAIGHT ONLY)								
Z-CODE	Z112 Z090 Z030 ETC. (CONTACT SALES STAFF IF A Z-CODE IS REQUIRED FOR A CUSTOM CONFIRGURATION/OPTION(S). OMIT FOR NONE)								

**Disclaimer**

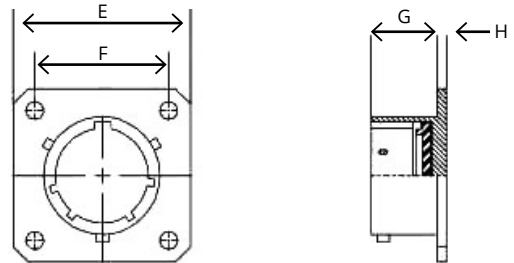
All information in this catalog is believed to be reliable. Readers should independently evaluate each product to confirm suitability with their specific application. Topflite components makes no warranties as to the accuracy or completeness of the information and disclaim any liability regarding its use. Specifications are subject to change without notice. Topflite components processes or materials that do not affect compliance with any applicable specification are subject to change without notice.

# DUMMY STORAGE RECEPTACLE TF\*53\* STANDARD

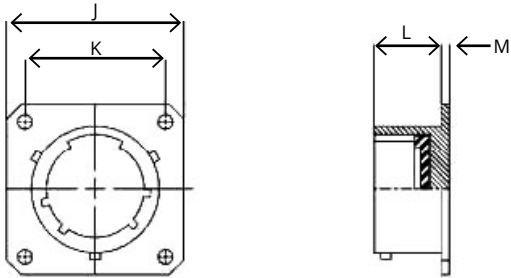
INTERFACE A - MIL-DTL-5015



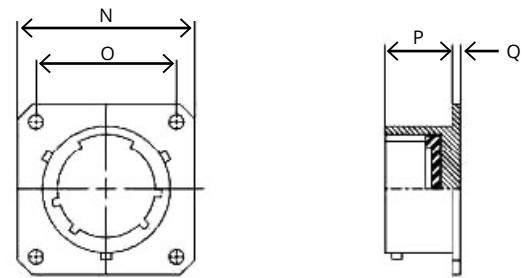
INTERFACE B - MIL-DTL-26482



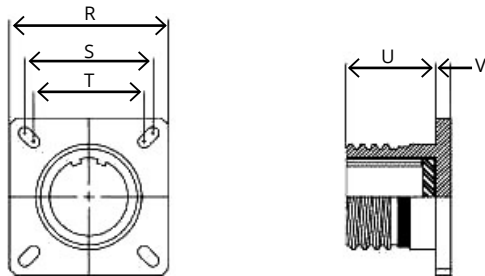
INTERFACE C - MIL-DTL-38999 SERIES I



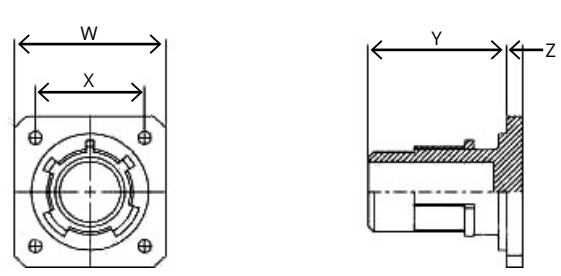
INTERFACE D - MIL-DTL-38999 SERIES II



INTERFACE E - MIL-DTL-38999 SERIES III



INTERFACE F - MIL-DTL-38999 SERIES IV



## PART NUMBER BREAKDOWN

EXAMPLE PART NUMBER		TF	A	53	F	09	N	-ZXXX
STANDARD PREFIX	TF							
INTERFACE CODE	A, B, C, D, E, F (SEE ABOVE)							
SERIES	53							
INTERFACE	F- ALUMINUM W/ ELECTROLESS NICKEL Z - ALUMINUM W/ BLACK ZINC NICKEL A- ALUMINUM W/ BLACK ANODIZE D- ALUMINUM W/ OLIVE DRAB CADMIUM T- ALUMINUM W/ NICKEL TEFLON/PTFE K- STAINLESS W/ PASSIVATION TREATMENT (SEE PAGE 4 FOR MATERIAL AND FINISH SPECIFICATIONS & ADDITIONAL FINISHES)							
SIZE CODE	08, 09, 10, 11, ETC. (SEE TABLES BELOW)							
POLARIZATION	A, B, C, N, ETC.							
Z-CODE	Z112 Z090 Z030 ETC. (CONTACT SALES STAFF IF A Z-CODE IS REQUIRED FOR A CUSTOM CONFIGURATION/OPTION(S). OMIT FOR NONE)							

### Notes

Keyway polarizations are not required on Storage Receptacles; they are universal and will work with any plug key polarization. If keying is desired, consult your TopFlite Sales Representative.



**MIL-DTL-5015; MIL-DTL-26482**

SHELL SIZE	A	B	C	D	E	F	G	H
8, 8S	.906 (23.0)	.594 (15.1)	.593 (15.1)	.156 (4.0)	.828 (21.0)	.594 (15.1)	.478 (12.1)	.062 (1.6)
10, 10S	1.031 (26.2)	.719 (18.3)	.593 (15.1)	.156 (4.0)	.954 (24.2)	.719 (18.3)	.478 (12.1)	.062 (1.6)
12S	1.125 (28.6)	.812 (20.6)	.593 (15.1)	.156 (4.0)	N/A	N/A	N/A	N/A
12	1.125 (28.6)	.812 (20.6)	.781 (19.8)	.156 (4.0)	1.047 (26.6)	.812 (20.6)	.478 (12.1)	.062 (1.6)
14S	1.219 (31.0)	.906 (23.0)	.593 (15.1)	.156 (4.0)	N/A	N/A	N/A	N/A
14	1.219 (31.0)	.906 (23.0)	.781 (19.8)	.156 (4.0)	1.141 (29.0)	.906 (23.0)	.478 (12.1)	.062 (1.6)
16S	1.312 (33.3)	.969 (24.6)	.593 (15.1)	.156 (4.0)	N/A	N/A	N/A	N/A
16	1.312 (33.3)	.969 (24.6)	.781 (19.8)	.156 (4.0)	1.234 (31.3)	.969 (24.6)	.478 (12.1)	.062 (1.6)
18	1.406 (35.7)	1.062 (27.0)	.781 (19.8)	.203 (5.2)	1.328 (33.7)	1.062 (27.0)	.478 (12.1)	.062 (1.6)
20	1.531 (38.9)	1.156 (29.4)	.781 (19.8)	.203 (5.2)	1.453 (36.9)	1.156 (29.4)	.572 (14.5)	.094 (2.4)
22	1.656 (42.1)	1.250 (31.8)	.781 (19.8)	.203 (5.2)	1.578 (40.1)	1.250 (31.8)	.572 (14.5)	.094 (2.4)
24	1.781 (45.2)	1.375 (34.9)	.843 (21.4)	.203 (5.2)	1.703 (43.3)	1.375 (34.9)	.605 (15.4)	.094 (2.4)
28	2.031 (51.6)	1.562 (39.7)	.843 (21.4)	.203 (5.2)	N/A	N/A	N/A	N/A
32	2.281 (57.9)	1.750 (44.5)	.906 (23.0)	.359 (9.1)	N/A	N/A	N/A	N/A
36	2.531 (64.3)	1.938 (49.2)	.906 (23.0)	.359 (9.1)	N/A	N/A	N/A	N/A

**MIL-DTL-38999 SERIES I, MIL-DTL-38999 SERIES II**

SHELL SIZE	J	K	L	M	N	O	P	Q
8, 9	.949 (24.1)	.719 (18.3)	.730 (18.5)	.085 (2.2)	.823 (20.9)	.594 (15.1)	.449 (11.4)	.063 (1.6)
10, 11	1.042 (26.5)	.812 (20.6)	.730 (18.5)	.085 (2.2)	.949 (24.1)	.719 (18.3)	.449 (11.4)	.063 (1.6)
12, 13	1.136 (28.9)	.906 (23.0)	.730 (18.5)	.085 (2.2)	1.042 (26.5)	.812 (20.6)	.449 (11.4)	.063 (1.6)
14, 15	1.230 (31.2)	.969 (24.6)	.730 (18.5)	.085 (2.2)	1.136 (28.9)	.906 (23.0)	.449 (11.4)	.063 (1.6)
16, 17	1.323 (33.6)	1.062 (27.0)	.730 (18.5)	.085 (2.2)	1.230 (31.2)	.969 (24.6)	.449 (11.4)	.063 (1.6)
18, 19	1.449 (36.8)	1.156 (29.4)	.730 (18.5)	.085 (2.2)	1.323 (33.6)	1.062 (27.0)	.449 (11.4)	.063 (1.6)
20, 21	1.573 (40.0)	1.250 (31.8)	.700 (17.8)	.115 (2.9)	1.449 (36.8)	1.156 (29.4)	.449 (11.4)	.063 (1.6)
22, 23	1.699 (43.2)	1.375 (34.9)	.700 (17.8)	.115 (2.9)	1.573 (40.0)	1.250 (31.8)	.449 (11.4)	.063 (1.6)
24, 25	1.823 (46.3)	1.500 (38.1)	.700 (17.8)	.115 (2.9)	1.699 (43.2)	1.375 (34.9)	.449 (11.4)	.063 (1.6)

**MIL-DTL-38999 SERIES III, MIL-DTL-38999 SERIES IV**

SHELL SIZE	R	S	T	U	V	W	X	Y	Z
9 (A)	.949 (24.1)	.719 (18.3)	.594 (15.1)	.843 (21.4)	.110 (2.8)	N/A	N/A	N/A	N/A
11 (B)	1.043 (26.5)	.812 (20.6)	.719 (18.3)	.843 (21.4)	.110 (2.8)	1.051 (26.7)	.812 (20.6)	.819/.756	.094 (2.4)
13 (C)	1.138 (28.9)	.906 (23.0)	.812 (20.6)	.843 (21.4)	.110 (2.8)	1.146 (29.1)	.906 (23.0)	.819/.756	.094 (2.4)
15 (D)	1.232 (31.3)	.969 (24.6)	.906 (23.0)	.843 (21.4)	.110 (2.8)	1.240 (31.5)	.969 (24.6)	.819/.756	.094 (2.4)
17 (E)	1.322 (33.6)	1.062 (27.0)	.969 (24.6)	.843 (21.4)	.110 (2.8)	.335 (33.9)	1.062 (27.0)	.819/.756	.094 (2.4)
19 (F)	1.448 (36.8)	1.156 (29.4)	1.062 (27.0)	.843 (21.4)	.110 (2.8)	1.461 (37.1)	1.156 (29.4)	.819/.756	.094 (2.4)
21 (G)	1.574 (40.0)	1.250 (31.8)	1.156 (29.4)	.811 (20.6)	.137 (3.5)	1.583 (40.2)	1.250 (31.8)	.819/.756	.126 (3.2)
23 (H)	1.700 (43.2)	1.375 (34.9)	1.250 (31.8)	.811 (20.6)	.137 (3.5)	1.709 (43.4)	1.375 (34.9)	.819/.756	.126 (3.2)
25 (J)	1.822 (46.3)	1.500 (38.1)	1.375 (34.9)	.811 (20.6)	.137 (3.5)	1.835 (46.6)	1.500 (38.1)	.819/.756	.126 (3.2)

**Notes**

If you do not see Stowage Receptacle series here that you desire, please consult your TopFlite sales representative

**Disclaimer**

All information in this catalog is believed to be reliable. Readers should independently evaluate each product to confirm suitability with their specific application. Topflite components makes no warranties as to the accuracy or completeness of the information and disclaim any liability regarding its use. Specifications are subject to change without notice. Topflite components processes or materials that do not affect compliance with any applicable specification are subject to change without notice.