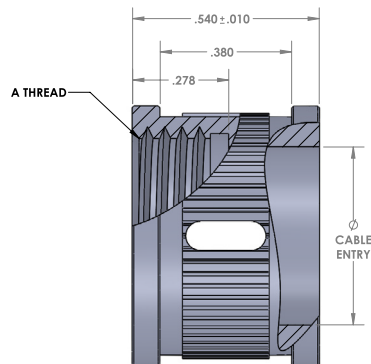


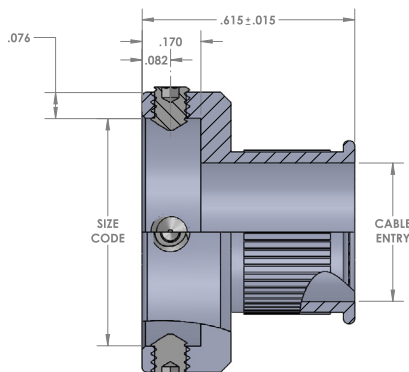
TFSS SERIES SHORT STUFF BACKSHELL™ SERIES



TopFlite specializes in custom and hard to find backshell designs for countless applications and the TFSS series is no different. This series is commonly used where space constraints are an issue since the overall backshell length is just over a half inch. By using a fully customizable mating thread and cable entry range, there becomes an infinite number of size combinations to fit any customer requirement. Customers can also utilize a Z-Code for any specialty features they require. This is a low cost termination option that is universal, meaning it can be adapted for use on virtually any connector series.

PART NUMBER BREAKDOWN								
EXAMPLE PART NUMBER	TFSS	F	07500-18	-02	R	S	M	-ZXXX
STANDARD PREFIX								
MATERIAL/ FINISH	F - ALUMINUM W/ ELECTROLESS NICKEL Z - ALUMINUM W/ BLACK ZINC NICKEL A - ALUMINUM W/ BLACK ANODIZE D - ALUMINUM W/ OLIVE DRAB CADMIUM T - ALUMINUM W/ NICKEL TEFLON/PTFE K - STAINLESS W/ PASSIVATION TREATMENT (SEE PAGE 4 FOR MATERIAL AND FINISH SPECIFICATIONS & ADDITIONAL FINISHES)							
A THREAD	1-20: 10000-20 .750-18: 07500-18 M20X1.0-6H: M20-100-6H M28X.75-6H: M28-075-6H M6X1.0-6H: M06-100-6H ETC.							
CABLE ENTRY	02, 03, 04, ETC. (SEE CABLE ENTRY CHART PAGE 3)							
ORING SEAL	R- INCLUDE SILICONE ORING SEAL OMIT FOR NONE							
SLOT OPTION	S- INCLUDE DOUBLE SLOT FOR SHIELD TERMINATION OMIT FOR NONE							
BAND OPTION	(SEE PAGE 7 FOR TERMINATION BAND OPTIONS. OMIT FOR NONE)							
Z-CODE	Z112 Z090 Z030 ETC. (CONTACT SALES STAFF IF A Z-CODE IS REQUIRED FOR A CUSTOM CONFIGURATION/OPTION(S). OMIT FOR NONE)							

TFDHE SERIES HERMETIC & UN-THREADED TERMINATION ADAPTER



TopFlite specializes in custom and hard to find backshell designs for countless applications and the TFDHE series is no different. This series is commonly used with hermetic connectors as well as applications facing space constraints. The 4-Set Screw design offers a rigid mating interface and by using a fully customizable mating diameter and cable entry range, there becomes an infinite number of size combinations to fit any customer requirement. Customers can also utilize a Z-Code for any specialty features they require. The TFDHE series is TopFlite's answer to equipping connectors or feed-thrus that feature non-threaded or damaged thread back end configurations with a backshell option.

PART NUMBER BREAKDOWN

EXAMPLE PART NUMBER	TFDHE	1	F	1	1030	-02	M	-ZXXX
STANDARD PREFIX								
ANGLE	1 - STRAIGHT 4 - 45 DEGREE (CONSULT FACTORY FOR DIMENSIONS) 9 - 90 DEGREE (CONSULT FACTORY FOR DIMENSIONS)							
MATERIAL/ FINISH	F - ALUMINUM W/ ELECTROLESS NICKEL Z - ALUMINUM W/ BLACK ZINC NICKEL A - ALUMINUM W/ BLACK ANODIZE D - ALUMINUM W/ OLIVE DRAB CADMIUM T - ALUMINUM W/ NICKEL TEFLON/PDTE K - STAINLESS W/ PASSIVATION TREATMENT (SEE PAGE 4 FOR MATERIAL AND FINISH SPECIFICATIONS & ADDITIONAL FINISHES)							
COUPLING TYPE	1 - DIRECT COUPLING							
SIZE CODE	250 - .250" , .562 - .562", 1412 - 1.412", ETC.							
CABLE ENTRY	02, 03, 04, ETC. (SEE CABLE ENTRY CHART PAGE 3)							
BAND OPTION	(SEE PAGE 7 FOR TERMINATION BAND OPTIONS. OMIT FOR NONE)							
Z-CODE	Z112 Z090 Z030 ETC. (CONTACT SALES STAFF IF A Z-CODE IS REQUIRED FOR A CUSTOM CONFIGURATION/OPTION(S). OMIT FOR NONE)							