

26482 SERIES I, II

COMMERCIAL CONNECTOR SERIES



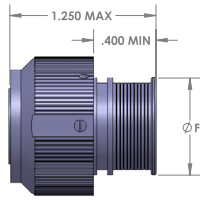
TopFlite specializes in the design and manufacture of MIL-C-26482 Commercial Equivalent Connectors that are offered in a variety of materials, finishes, and contact styles including Printed Circuit Board, Solder, and Crimp termination. The TopFlite Advantage is that the customer can fully customize the connector design, including but not limited to overall length, custom insert arrangements, flange size or style, specialty materials, integrated backshells, and more. If an option(s) is not listed in the part number builder below, TopFlite can issue a specialty “Z-Code” to the end of the part number nomenclature to cover any custom alterations the customer may require for their application. Remember, TopFlite specializes in custom connector design and consulting, so if you can’t find it, chances are we can make it!

PART NUMBER BREAKDOWN												
EXAMPLE PART NUMBER	TFC-	802	H	16	TH	F	12-04	P	A	-020500	-W	-ZXXX
STANDARD PREFIX												
CONNECTOR TYPE	801- 26482 PLUG SERIES 1 802- 26482 RECEPTACLE SERIES 1 803- 26482 PLUG SERIES 2 804- 26482 RECEPTACLE SERIES 2											
HERMETICALLY SEALED	H - INCLUDES GLASS/CERAMIC HERMETIC SEALING (OMIT FOR NONE)											
STYLE	06 - STANDARD PLUG 16 - ANTI-DECOUPLING PLUG 24 - JAM NUT RECEPTACLE 22 - INLINE RECEPTACLE 20 - BOX MOUNT RECEPTACLE											
BACKEND STYLE	TH - THREADED BACK IT - INTEGRATED TERMINATION TAIL CS - CASTLE BACK FB - FLAT BACK (PC TAIL OR SOLDER CONTACTS ONLY)											
MATERIAL/ FINISH	F - ALUMINUM W/ ELECTROLESS NICKEL Z - ALUMINUM W/ BLACK ZINC NICKEL A - ALUMINUM W/ BLACK ANODIZE D - ALUMINUM W/ OLIVE DRAB CADMIUM T - ALUMINUM W/ NICKEL TEFLON/PTFE K - STAINLESS W/ PASSIVATION TREATMENT (SEE PAGE 4 FOR MATERIAL AND FINISH SPECIFICATIONS & ADDITIONAL FINISHES)											
SIZE & INSERT ARRANGEMENT	08-03 10-04 12-04 ETC. (SEE APPENDIX A FOR ALL OPTIONS. CONSULT FACTORY FOR CUSTOM ARRANGEMENTS)											
CONTACT STYLE	P - CRIMP PIN S - CRIMP SOCKET PCP - PC TAIL PIN PCS - PC TAIL SOCKET PS - SOLDER CUP PIN SS - SOLDER CUP SOCKET XP - NO PIN CONTACTS XS - NO SOCKET CONTACTS											
POLARIZATION	A B C ETC. (THIS IS A CUSTOM OPTION. OMIT FOR STANDARD)											
PC TAIL CONTACT SIZE	FIRST 3 DIGITS ARE THE DIAMETER, EX. 020 = .020" DIAMETER TAIL SECOND 3 DIGITS ARE THE LENGTH FROM REAR OF CONNECTOR, EX. 400 = .400" THUS, FOR EXAMPLE, -018300 WOULD EQUATE TO .018" DIAMETER & .300" LENGTH (OMIT FOR NON-PC TAIL CONTACT VERSIONS)											
WIRE HOLES	W - WITH WIRE HOLES (OMIT FOR NONE)											
Z-CODE	Z112 Z090 Z030 ETC. (CONTACT SALES STAFF IF A Z-CODE IS REQUIRED FOR A CUSTOM CONFIGURATION/OPTION(S). OMIT FOR NONE)											

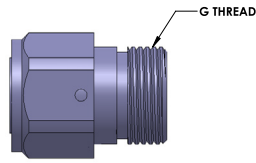
Notes

1. For Full product dimensions, refer to MIL-C-26482 Procurement Specification.
2. Consult Factory for any required options not seen listed above
3. Connectors with Solder Cup or PC Tail Contact Options are Backpotted
4. Hermetic Sealing only available with Non-Crimp, Pin Contact Connectors
5. See Appendix B for Performance Data

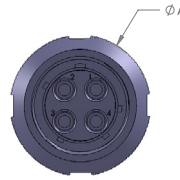
PLUG SERIES 801 - SHELL STYLE 06/16



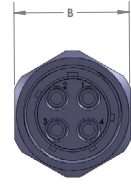
ITR REAR



THREADED REAR



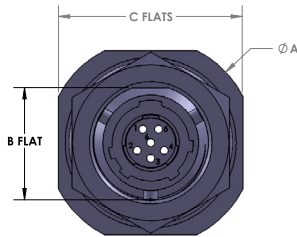
STANDARD COUPLING



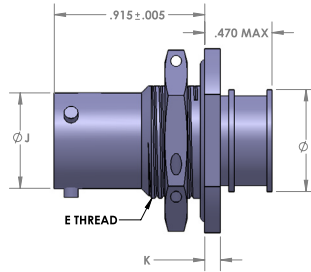
HEX COUPLING

DIMENSIONS (IN)				
SHELL SIZE	A MAX	B	F	G THREAD
8	0.782	0.752	0.500	.4375-28
10	0.926	0.896	0.625	.5625-24
12	1.043	1.013	0.750	.6875-24
14	1.183	1.153	0.875	.8125-20
16	1.305	1.275	1.000	.9375-20
18	1.391	1.361	1.062	1.0625-18
20	1.531	1.501	1.187	1.1875-18
22	1.656	1.626	1.312	1.3125-18
24	1.777	1.747	1.437	1.4375-18

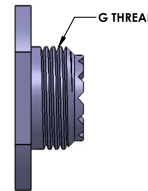
JAM NUT RECEPTACLE SERIES 802 - SHELL STYLE 24



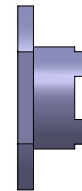
FRONT VIEW



ITR REAR



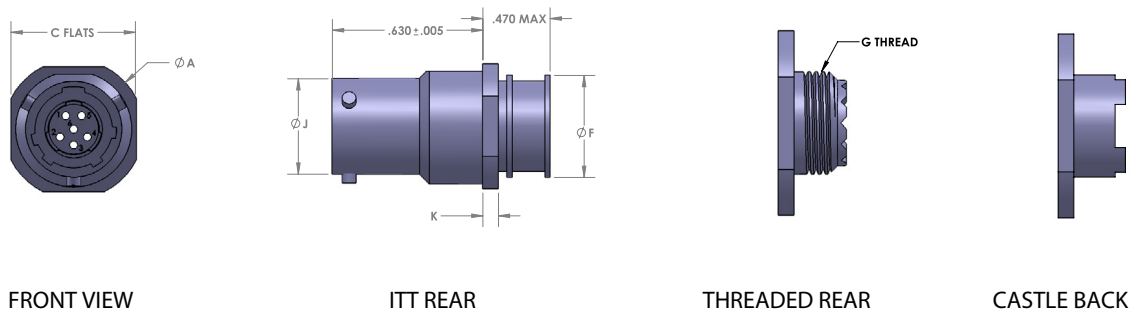
THREADED REAR



CASTLE BACK

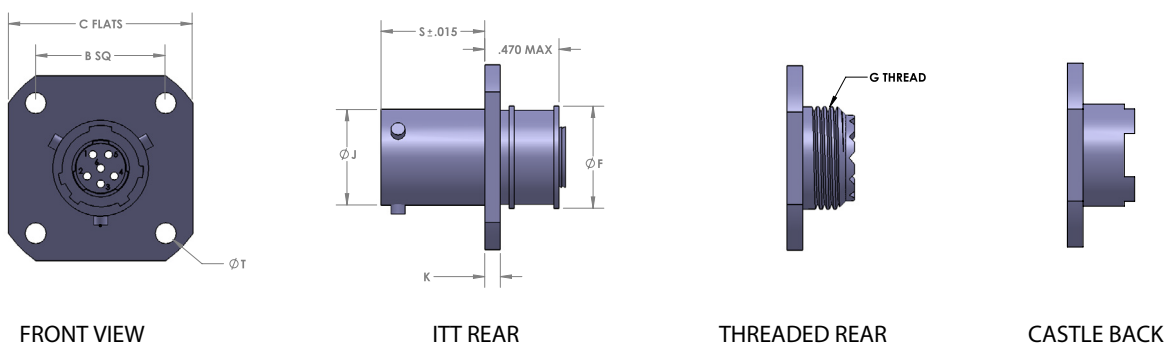
DIMENSIONS (IN)								
SHELL SIZE	A	B FLAT	C FLAT	E THREAD	G THREAD	F	J	K
8	1.062	0.525	0.954	.5625-24	.6250-24	0.500	0.473	0.117
10	1.187	0.650	1.078	.6875-24	.7500-20	0.625	0.590	0.117
12	1.375	0.813	1.266	.8750-20	.8750-20	0.750	0.750	0.117
14	1.500	0.937	1.391	1.000-20	1.000-20	0.875	0.875	0.117
16	1.625	1.061	1.516	1.125-18	1.125-18	1.000	1.000	0.117
18	1.750	1.196	1.641	1.250-18	1.250-18	1.062	1.125	0.117
20	1.938	1.311	1.828	1.375-18	1.375-18	1.187	1.250	0.148
22	2.062	1.436	1.954	1.500-18	1.500-18	1.312	1.375	0.148
24	2.187	1.561	2.078	1.625-18	1.625-18	1.437	1.500	0.148

INLINE CABLE RECEPTACLE SERIES 802 - SHELL STYLE 22



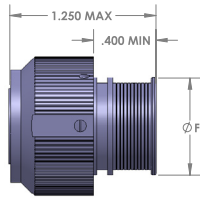
DIMENSIONS (IN)						
SHELL SIZE	A	C FLAT	G THREAD	F	J	K
8	0.573	0.513	.4375-28	0.500	0.473	0.062
10	0.690	0.630	.5625-24	0.625	0.590	0.062
12	0.850	0.790	.6875-24	0.750	0.750	0.062
14	0.975	0.915	.8125-20	0.875	0.875	0.062
16	1.100	1.040	.9375-20	1.000	1.000	0.062
18	1.225	1.165	1.0625-18	1.062	1.125	0.062
20	1.350	1.290	1.1875-18	1.187	1.250	0.094
22	1.475	1.415	1.3125-18	1.312	1.375	0.094
24	1.600	1.540	1.4375-18	1.437	1.500	0.094

BOX MOUNT RECEPTACLE SERIES 802 - SHELL STYLE 20

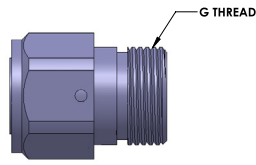


DIMENSIONS (IN)								
SHELL SIZE	B	C FLAT	G THREAD	F	J	K	S	T
8	0.594	0.828	.4375-28	0.500	0.473	0.062	0.446	0.120
10	0.719	0.954	.5625-24	0.625	0.590	0.062	0.446	0.120
12	0.812	1.047	.6875-24	0.750	0.750	0.062	0.446	0.120
14	0.906	1.141	.8125-20	0.875	0.875	0.062	0.446	0.120
16	0.969	1.234	.9375-20	1.000	1.000	0.062	0.446	0.120
18	1.062	1.326	1.0625-18	1.062	1.125	0.062	0.446	0.120
20	1.156	1.453	1.1875-18	1.187	1.250	0.094	0.571	0.120
22	1.250	1.578	1.3125-18	1.312	1.375	0.094	0.571	0.120
24	1.375	1.703	1.4375-18	1.437	1.500	0.094	0.604	0.147

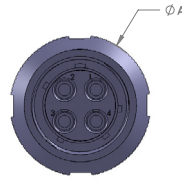
PLUG SERIES 803 - SHELL STYLE 06/16



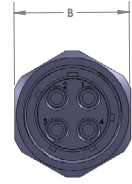
ITR REAR



THREADED REAR



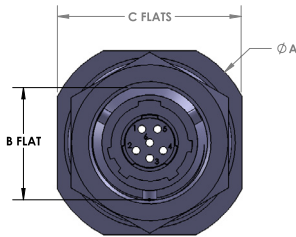
STANDARD COUPLING



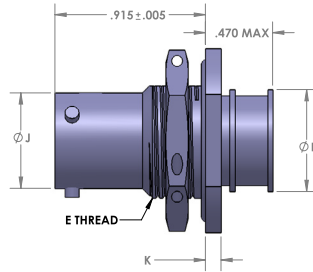
HEX COUPLING

DIMENSIONS (IN)				
SHELL SIZE	A MAX	B	F	G THREAD
8	0.782	0.752	0.500	.500-20
10	0.926	0.896	0.625	.625-24
12	1.043	1.013	0.750	.750-20
14	1.183	1.153	0.875	.875-20
16	1.305	1.275	1.000	1.000-20
18	1.391	1.361	1.062	1.0625-18
20	1.531	1.501	1.187	1.1875-18
22	1.656	1.626	1.312	1.3125-18
24	1.777	1.747	1.437	1.4375-18

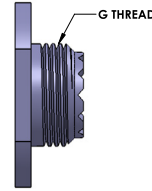
JAM NUT RECEPTACLE SERIES 804 - SHELL STYLE 24



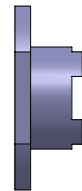
FRONT VIEW



ITR REAR



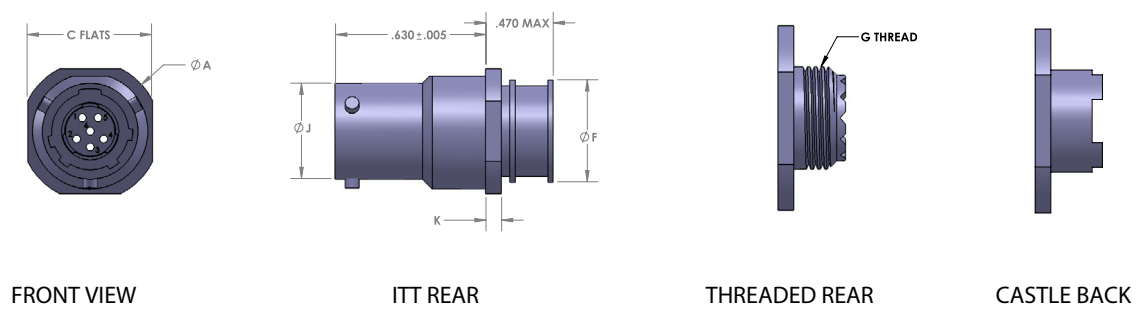
THREADED REAR



CASTLE BACK

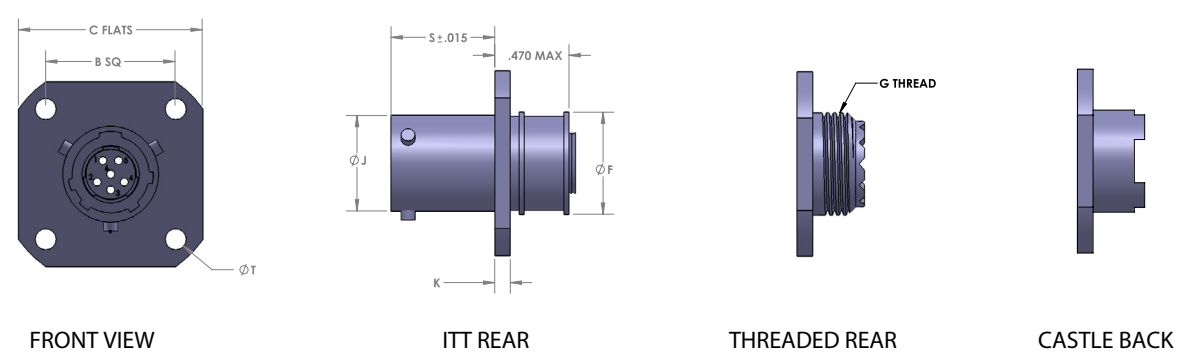
DIMENSIONS (IN)								
SHELL SIZE	A	B FLAT	C FLAT	E THREAD	G THREAD	F	J	K
8	1.062	0.525	0.954	.5625-24	.500-20	0.500	0.473	0.117
10	1.187	0.650	1.078	.6875-24	.625-24	0.625	0.590	0.117
12	1.375	0.813	1.266	.8750-20	.750-20	0.750	0.750	0.117
14	1.500	0.937	1.391	1.000-20	.875-20	0.875	0.875	0.117
16	1.625	1.061	1.516	1.125-18	1.000-20	1.000	1.000	0.117
18	1.750	1.196	1.641	1.250-18	1.0625-18	1.062	1.125	0.117
20	1.938	1.311	1.828	1.375-18	1.1875-18	1.187	1.250	0.117
22	2.062	1.436	1.954	1.500-18	1.3125-18	1.312	1.375	0.117
24	2.187	1.561	2.078	1.625-18	1.4375-18	1.437	1.500	0.117

INLINE CABLE RECEPTACLE SERIES 804 - SHELL STYLE 22



DIMENSIONS (IN)						
SHELL SIZE	A	C FLAT	G THREAD	F	J	K
8	0.573	0.513	.500-20	0.500	0.473	0.062
10	0.690	0.630	.625-24	0.625	0.590	0.062
12	0.850	0.790	.750-20	0.750	0.750	0.062
14	0.975	0.915	.875-20	0.875	0.875	0.062
16	1.100	1.040	1.000-20	1.000	1.000	0.062
18	1.225	1.165	1.0625-18	1.062	1.125	0.062
20	1.350	1.290	1.1875-18	1.187	1.250	0.094
22	1.475	1.415	1.3125-18	1.312	1.375	0.094
24	1.600	1.540	1.4375-18	1.437	1.500	0.094

BOX MOUNT RECEPTACLE SERIES 804 - SHELL STYLE 20



DIMENSIONS (IN)								
SHELL SIZE	B	C FLAT	G THREAD	F	J	K	S	T
8	0.594	0.828	.500-20	0.500	0.473	0.062	0.446	0.120
10	0.719	0.954	.625-24	0.625	0.590	0.062	0.446	0.120
12	0.812	1.047	.750-20	0.750	0.750	0.062	0.446	0.120
14	0.906	1.141	.875-20	0.875	0.875	0.062	0.446	0.120
16	0.969	1.234	1.000-20	1.000	1.000	0.062	0.446	0.120
18	1.062	1.326	1.0625-18	1.062	1.125	0.062	0.446	0.120
20	1.156	1.453	1.1875-18	1.187	1.250	0.094	0.571	0.120
22	1.250	1.578	1.3125-18	1.312	1.375	0.094	0.571	0.120
24	1.375	1.703	1.4375-18	1.437	1.500	0.094	0.604	0.147