

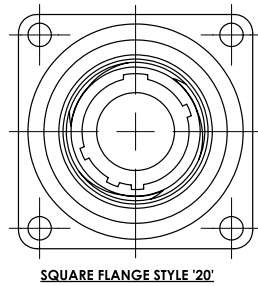
DOUBLE FLANGE, PCB MOUNT 38999 SERIES III CONNECTORS



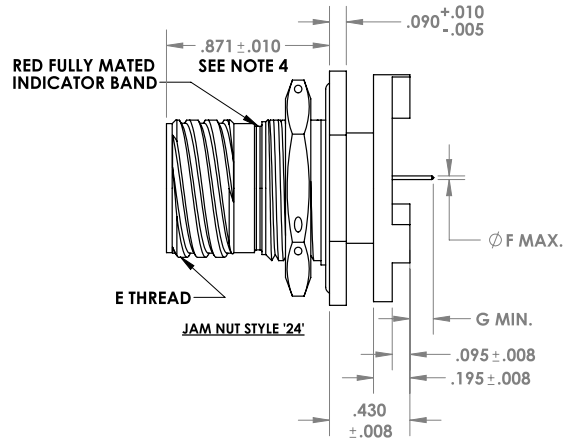
TopFlite's specialty is custom connector solutions and our Double Flange connector series is no different. Our most popular version of this line of connectors can be found listed in this section, which is the MIL-DTL-38999 Series III Style. Though if required, TopFlite can retrofit almost any known series or custom connector series to the double flange option (consult your sales representative). Like our other connector series, the Double Flange series is offered in a variety of materials and finishes. The double flange design allows the customer or end user to rigidly mount the connector to their printed circuit board application, thereby preventing the possibility of contact breakage or solder separation in harsh environment applications. If an option(s) is not listed in the part number builder below, TopFlite can issue a specialty "Z-Code" to the end of the part number nomenclature to cover any custom alterations the customer may require for their application.

PART NUMBER BREAKDOWN											
EXAMPLE PART NUMBER	TFC-	DF	H	20	F	12-04	PCP	N-	Z038	-ZXXX	
STANDARD PREFIX											
CONNECTOR TYPE	DF										
HERMETICALLY SEALED	H- INCLUDES GLASS/CERAMIC HERMETIC SEALING (OMIT FOR NONE)										
STYLE	24 - JAM NUT RECEPTACLE 20 - BOX MOUNT RECEPTACLE										
MATERIAL/ FINISH	F - ALUMINUM W/ ELECTROLESS NICKEL Z - ALUMINUM W/ BLACK ZINC NICKEL A - ALUMINUM W/ BLACK ANODIZE D - ALUMINUM W/ OLIVE DRAB CADMIUM T - ALUMINUM W/ NICKEL TEFLON/PTFE K - STAINLESS W/ PASSIVATION TREATMENT (SEE PAGE 4 FOR MATERIAL AND FINISH SPECIFICATIONS & ADDITIONAL FINISHES)										
SIZE & INSERT ARRANGEMENT	13-35 15-97 25-35 ETC. (SEE APPENDIX A FOR ALL OPTIONS. CONSULT FACTORY FOR CUSTOM ARRANGEMENTS)										
CONTACT STYLE	PCP- PC TAIL PIN PCS- PC TAIL SOCKET										
POLARIZATION	A, B, C, D, N										
CONTACT LENGTH	Z037- SHORT Z038- LONG (SEE TABLES BELOW)										
Z-CODE	Z112 Z090 Z030 ETC. (CONTACT SALES STAFF IF A Z-CODE IS REQUIRED FOR A CUSTOM CONFIGURATION/OPTION(S). OMIT FOR NONE)										

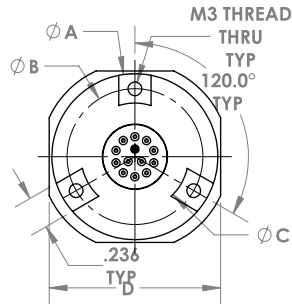
DOUBLE FLANGE JAM-NUT CONNECTOR



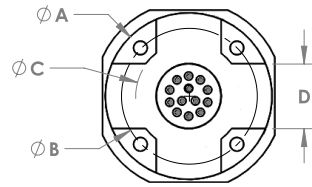
SQUARE FLANGE STYLE '20'



3-HOLE VERSION
SIZES 9 TO 11



4-HOLE VERSION
SIZES 13 TO 25



CONNECTOR DIMENSION TABLE

SHELL SIZE	A	B	C	D	E THREAD
9	26	20.5	15.1	27	.625X0.1P-0.3L
11	30.8	25.2	19.9	31.8	.750X0.1P-0.3L
13	30.8	25.25	19.9	34.9	.875X0.1P-0.3L
15	33.9	28.42	23	38.1	1.000X0.1P-0.3L
17	36.8	31.42	26	41.3	1.187X0.1P-0.3L
19	40.4	35.03	29.5	46	1.250X0.1P-0.3L
21	43.2	37.82	32.5	49.2	1.375X0.1P-0.3L
23	46.5	41.12	35.5	52.4	1.500X0.1P-0.3L
25	49.6	44.3	38.6	55.6	1.625X0.1P-0.3L

CONTACT DIMENSION TABLE

CONTACT SIZE	PC TAIL SIZE	G (SIZE 09-11)	G (SIZE 13-25)	F MAX
22D	LONG	.280	.280	.027
	SHORT	.142	.142	
20	LONG	.280	.280	.035
	SHORT	.142	.165	
16	LONG	.280	.280	.053
	SHORT	.142	.165	

Notes

- Performance: connector to meet performance specifications of MIL-DTL -38999, (as applicable) and in addition, connector to be back potted to prevent water ingress in unmated condition
- Contact arrangement options per MIL-STD-1560
- Dimension .795+/- .005 for square flange version