



OVERMOLDING/ SHRINK BOOT ADAPTERS

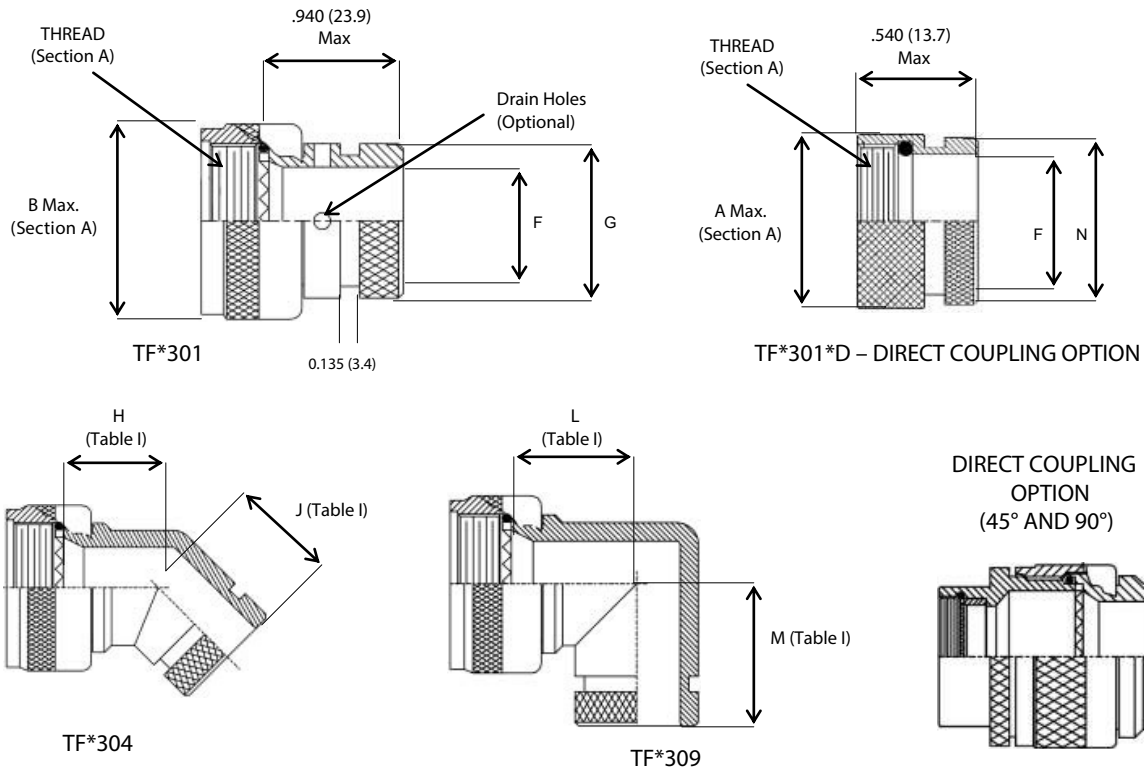
The Overmolding/Shrink Boot adapter is a backshell that attaches to a connector's accessory threads to provide the necessary molding/gripping area for a shrink boot installation and for overmolding processes. When a boot is used, the shrink boot and adapter are slipped over the cable and after wiring is completed, the adapter is attached to the connector. The shrink boot is positioned over the adapter and the jacketed cable. As heat is applied to the shrink boot it shrinks tightly around the adapter and cable forming an environmental seal. Topflite offers a number of shrink boot termination variations including shield sock, stainless steel termination band, stainless steel constant force spring and light bulb thread. In overmolding scenarios, the overmolding process can be carried out directly onto the backshell. If special molding-area dimensions are required, please contact your TopFlite sales representative.

SERIES	DESCRIPTION	PAGE
30	O-RING SEALED SHRINK BOOT ADAPTER	66
31	LAMP BASE THREAD EMI/RFI SHRINK BOOT ADAPTER	68
35	SHIELD SOCK SHRINK BOOT ADAPTER	70
40	SPRING OR BAND TERMINATION ADAPTER	72
43	CABLE SEALING BAND-IN-A-CAN ADAPTER	74
46	EMI/RFI SINGLE SPRING OR BAND TERMINATION SHRINK BOOT ADAPTER	76
47	EMI/RFI DUAL SPRING OR BAND TERMINATION SHRINK BOOT ADAPTER	78
48	BAND TERMINATION SHRINK BOOT ADAPTER (BOTH INNER AND OUTER SHIELD TERMINATION)	80
49	LOCK RING TERMINATED SHRINK BOOT ADAPTER	82

O-RING SEALED SHRINK BOOT ADAPTER

TF*301, TF*304, TF*309

STANDARD PROFILE



O-Ring Not supplied with 'A' Interface Adapter, or when Drain Hole option is used

TABLE I

SHELL SIZE	F MAX (Cable Entry)	G MAX	H MAX	J MAX	L MAX	M MAX	N MAX
8, 9 (A)	.250 (6.4)	.533 (13.5)	.639 (16.2)	.810 (20.6)	.750 (19.1)	.920 (23.4)	.688 (17.5)
10, 11 (B)	.355 (9.0)	.605 (15.4)	.664 (16.9)	.840 (21.3)	.810 (20.6)	.980 (24.9)	.803 (20.4)
12, 13 (C)	.491 (12.5)	.774 (19.7)	.688 (17.5)	.860 (21.8)	.870 (22.1)	1.040 (26.4)	.938 (23.8)
14, 15 (D)	.565 (14.4)	.838 (21.3)	.705 (17.9)	.890 (22.6)	.920 (23.4)	1.110 (28.2)	1.063 (27.0)
16, 17 (E)	.690 (17.5)	.963 (24.5)	.732 (18.6)	.910 (23.1)	.980 (24.9)	1.170 (29.7)	1.238 (31.4)
18, 19 (F)	.769 (19.5)	1.042 (26.5)	.748 (19.0)	.920 (23.4)	1.020 (25.9)	1.190 (30.2)	1.310 (33.3)
20, 21 (G)	.894 (22.7)	1.217 (30.9)	.773 (19.6)	.940 (23.9)	1.080 (27.4)	1.250 (31.8)	1.436 (36.5)
22, 23 (H)	1.019 (25.9)	1.355 (34.4)	.800 (20.3)	.980 (24.9)	1.140 (29.0)	1.330 (33.8)	1.560 (39.6)
24, 25 (J)	1.134 (28.8)	1.443 (36.7)	.823 (20.9)	1.010 (25.7)	1.200 (30.5)	1.400 (35.6)	1.686 (42.8)
28	1.369 (34.8)	1.709 (43.4)	1.041 (26.4)	1.180 (30.0)	1.480 (37.6)	1.640 (41.7)	2.062 (52.4)
32	1.615 (41.0)	1.919 (48.7)	1.092 (27.7)	1.370 (34.8)	1.610 (40.9)	1.880 (47.8)	2.312 (58.7)

Notes

1. This table specifies standard dimensions for TopFlite's adapters. If the customer requires dimensions that vary from provided catalog dimensions, please contact your TopFlite sales representative.
2. For additional shell size dimensions, such as those for TopFlite's Micro Miniature (M&M Connector™) Series, please contact the factory for the appropriate engineering drawing.

PART NUMBER BREAKDOWN											
EXAMPLE PART NUMBER	TF	A	30	1	F	2	08	D	-6	-ZXXX	
STANDARD PREFIX											
CONNECTOR INTERFACE	A - MIL-DTL-5015, MIL-DTL-26482 SERIES II, MIL-DTL-83723 SERIES III B - MIL-DTL-26482 SERIES I C - MIL-DTL-38999 SERIES I & II D - MIL-DTL-38999 SERIES III & IV (PLEASE REFER TO PAGE 2 FOR ADDITIONAL INTERFACE CODES)										
SERIES	30										
ANGLE	1 - STRAIGHT 4 - 45 DEGREE 9 - 90 DEGREE 3 - 45 DEGREE, FULL RADIUS/SWEEPING (NOT SHOWN) 8 - 90 DEGREE, FULL RADIUS/SWEEPING (NOT SHOWN)										
MATERIAL/ FINISH	F - ALUMINUM W/ ELECTROLESS NICKEL Z - ALUMINUM W/ BLACK ZINC NICKEL A - ALUMINUM W/ BLACK ANODIZE D - ALUMINUM W/ OLIVE DRAB CADMIUM T - ALUMINUM W/ NICKEL TEFLON/PTFE K - STAINLESS W/ PASSIVATION TREATMENT (SEE PAGE 4 FOR MATERIAL AND FINISH SPECIFICATIONS & ADDITIONAL FINISHES)										
COUPLING TYPE	1 - DIRECT COUPLING 2 - SELF-LOCKING COUPLING 3 - RATCHETING COUPLING 4 - ANTI-DECOUPLING VIA WAVE SPRING										
SHELL SIZE	08 11 15 ETC.										
DRAIN HOLE	D - DRAIN HOLE (OMIT FOR NONE)										
LENGTH	1/4 INCREMENTS, FOR EXAMPLE: 3 = 0.75", 7 = 1.75", ETC. (OMIT FOR STANDARD 1.5 INCH LENGTH) (STRAIGHT ONLY)										
Z-CODE	Z112 Z090 Z030 ETC. (CONTACT SALES STAFF IF A Z-CODE IS REQUIRED FOR A CUSTOM CONFIRGURATION/OPTION(S). OMIT FOR NONE)										

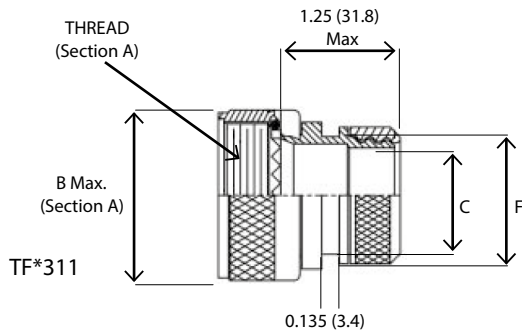
Disclaimer

All information in this catalog is believed to be reliable. Readers should independently evaluate each product to confirm suitability with their specific application. Topflite components makes no warranties as to the accuracy or completeness of the information and disclaim any liability regarding its use. Specifications are subject to change without notice. Topflite components processes or materials that do not affect compliance with any applicable specification are subject to change without notice.

LAMP BASE THREAD EMI/RFI SHRINK BOOT ADAPTER

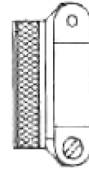
TF*311, TF*313, TF*314, TF*318, TF*319

OPTIONAL STRAIN RELIEF

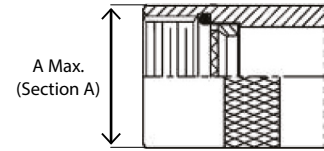


Optional Strain Relief
Place '-R' At End Of Part Number

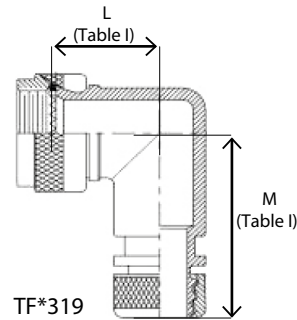
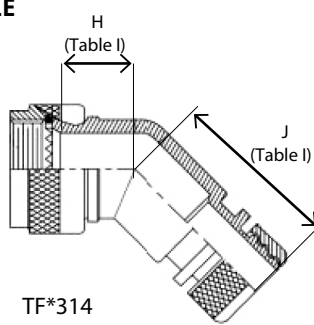
CABLE ENTRY (Section B)



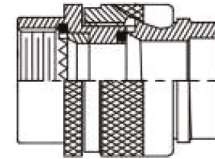
DIRECT COUPLING OPTION (STRAIGHT)



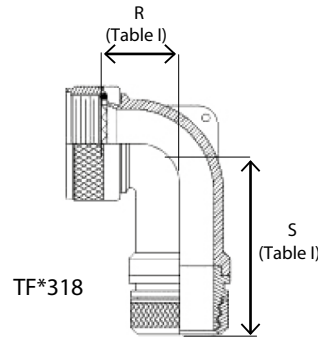
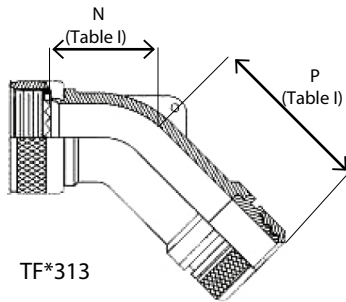
STANDARD PROFILE



DIRECT COUPLING OPTION (45° AND 90°)



FULL-RADIUS PROFILE



DIRECT COUPLING OPTION (45° AND 90°)

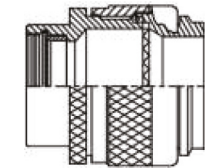


TABLE I
DIMENSIONAL CHART - 45 AND 90 DEGREE ADAPTERS

SHELL SIZE	H MAX	J MAX	L MAX	M MAX	N MAX	P MAX	R MAX	S MAX
8, 9 (A)	.530 (21.1)	1.045 (26.5)	.940 (23.9)	1.155 (29.3)	.457 (11.6)	1.630 (41.4)	.500 (12.7)	1.640 (41.7)
10,11 (&)	.360 (21.5)	1.075 (27.3)	1.010 (25.7)	1.225 (31.1)	.520 (13.2)	1.690 (42.9)	.595 (15.1)	1.760 (44.7)
1 2,13 (C)	.332 (22.4)	1.097 (27.9)	1.070 (27.2)	1.255 (32.6)	.552 (14.5)	1.750 (44.5)	.610 (15.5)	1.750 (45.2)
14,15 (D)	.900 (22.9)	1.125 (25.6)	1.130 (23.7)	1.345 (34.2)	.645 (16.4)	1.540 (46.7)	.700 (17.5)	1.550 (47.0)
16,17 (E)	.930 (23.6)	1.145 (29.1)	1.190 (30.2)	1.405 (35.7)	.735 (15.7)	1.950 (49.5)	.555 (22.5)	1.940 (49.3)
13,19 (F)	.950 (24.1)	1.165 (29.6)	1.240 (31.5)	1.455 (37.0)	.926 (23.5)	2.140 (54.4)	.975 (24.5)	2.110 (53.6)
20, 21 (G)	.930 (24.9)	1.195 (30.4)	1.310 (33.3)	1.525 (35.7)	.926 (23.5)	2.140 (54.4)	.975 (24.5)	2.110 (53.6)
22, 23 (H)	1.000 (25.4)	1.215 (30.9)	1.360 (34.5)	1.575 (40.0)	1.020 (25.9)	2.290 (55.2)	1.125 (25.6)	2.220 (56.4)
24, 25 (J)	1.030 (26.2)	1.245 (31.6)	1.430 (36.3)	1.645 (41.5)	1.020 (25.9)	2.290 (55.2)	1.125 (25.6)	2.220 (56.4)

Notes

1. This table specifies standard dimensions for TopFlite's adapters. If the customer requires dimensions that vary from provided catalog dimensions, please contact your TopFlite sales representative.
2. For additional shell size dimensions, such as those for TopFlite's Micro Miniature (M&M Connector™) Series, please contact the factory for the appropriate engineering drawing.

PART NUMBER BREAKDOWN												
EXAMPLE PART NUMBER	TF	A	31	1	F	2	-08	03	-6	-A	-ZXXX	
STANDARD PREFIX												
CONNECTOR INTERFACE	A - MIL-DTL-5015, MIL-DTL-26482 SERIES II, MIL-DTL-83723 SERIES III B - MIL-DTL-26482 SERIES I C - MIL-DTL-38999 SERIES I & II D - MIL-DTL-38999 SERIES III & IV (PLEASE REFER TO PAGE 2 FOR ADDITIONAL INTERFACE CODES)											
SERIES	31											
ANGLE	1 - STRAIGHT 4 - 45 DEGREE 9 - 90 DEGREE 3 - 45 DEGREE, FULL RADIUS/SWEEPING 8 - 90 DEGREE, FULL RADIUS/SWEEPING											
MATERIAL/ FINISH	F - ALUMINUM W/ ELECTROLESS NICKEL Z - ALUMINUM W/ BLACK ZINC NICKEL A - ALUMINUM W/ BLACK ANODIZE D - ALUMINUM W/ OLIVE DRAB CADMIUM T - ALUMINUM W/ NICKEL TEFLON/PTFE K - STAINLESS W/ PASSIVATION TREATMENT (SEE PAGE 4 FOR MATERIAL AND FINISH SPECIFICATIONS & ADDITIONAL FINISHES)											
COUPLING TYPE	1 - DIRECT COUPLING 2 - SELF-LOCKING COUPLING 3 - RATCHETING COUPLING 4 - ANTI-DECOUPLING VIA WAVE SPRING											
SHELL SIZE	08 11 15 ETC.											
CABLE ENTRY	03 34 ETC. (SEE CABLE ENTRY CHART PAGE 3)											
LENGTH	1/4 INCREMENTS, FOR EXAMPLE: 3 = 0.75", 7 = 1.75", ETC. (OMIT FOR STANDARD 1.5 INCH LENGTH) (STRAIGHT ONLY)											
STRAIN RELIEF OPTION	R (SEE OPTIONS PAGE 8. OMIT FOR NONE)											
Z-CODE	Z112 Z090 Z030 ETC. (CONTACT SALES STAFF IF A Z-CODE IS REQUIRED FOR A CUSTOM CONFIGURATION/OPTION(S). OMIT FOR NONE)											

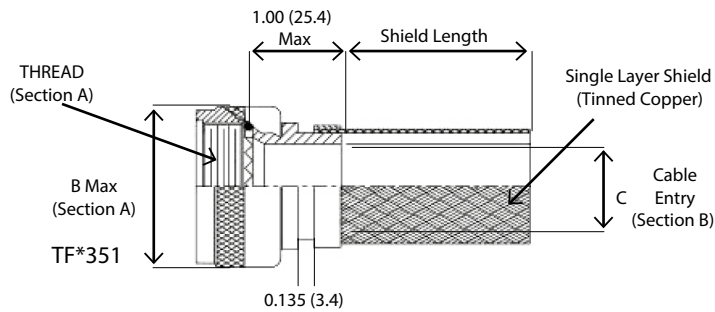
Disclaimer

All information in this catalog is believed to be reliable. Readers should independently evaluate each product to confirm suitability with their specific application. Topflite components makes no warranties as to the accuracy or completeness of the information and disclaim any liability regarding its use. Specifications are subject to change without notice. Topflite components processes or materials that do not affect compliance with any applicable specification are subject to change without notice.

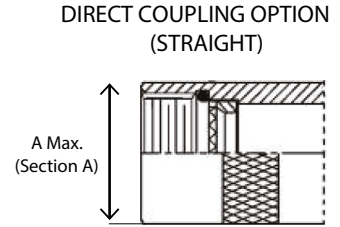
SHIELD SOCK SHRINK BOOT ADAPTER

TF*351, TF*353, TF*354, TF*358, TF*359

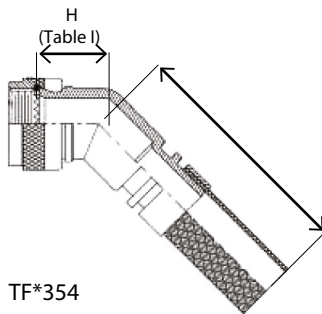
EMI/RFI SHIELD SOCK ADAPTER



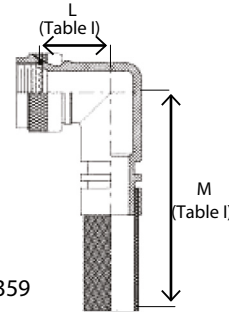
O-Ring
Not
supplied
with 'A'
Interface
Adapter



STANDARD PROFILE

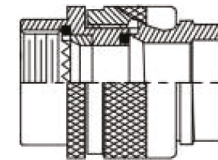


TF*354

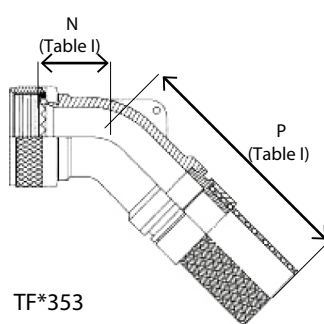


TF*359

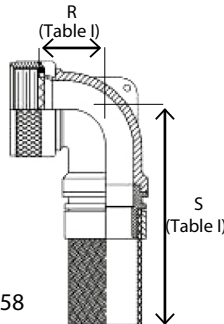
DIRECT COUPLING OPTION (45° AND 90°)



LOW PROFILE



TF*353



TF*358

DIRECT COUPLING OPTION (45° AND 90°)

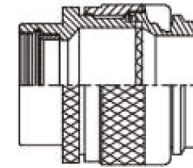


TABLE I
DIMENSIONAL CHART - 45 AND 90 DEGREE ADAPTERS

SHELL SIZE	H MAX	J MAX	L MAX	M MAX	N MAX	P MAX	R MAX	S MAX
8, 9 (A)	.830 (21.1)	1.045 (26.5)	.940 (23.9)	1.155 (29.3)	.457 (11.6)	1.710 (43.4)	.500 (12.7)	1.730 (43.9)
10, 11 (B)	.860 (21.8)	1.075 (27.3)	1.010 (25.7)	1.225 (31.1)	.520 (13.2)	1.770 (45.0)	.595 (15.1)	1.850 (47.0)
12, 13 (C)	.882 (22.4)	1.097 (27.9)	1.070 (27.2)	1.285 (32.6)	.582 (14.8)	1.830 (46.5)	.610 (15.5)	1.870 (47.5)
14, 15 (D)	.900 (22.9)	1.125 (28.6)	1.130 (28.7)	1.345 (34.2)	.645 (16.4)	1.920 (48.8)	.700 (17.8)	1.940 (49.3)
16, 17 (E)	.930 (23.6)	1.145 (29.1)	1.190 (30.2)	1.405 (35.7)	.738 (18.7)	2.030 (51.6)	.885 (22.5)	2.030 (51.6)
18, 19 (F)	.950 (24.1)	1.165 (29.6)	1.240 (31.5)	1.455 (37.0)	.926 (23.5)	2.220 (56.4)	.975 (24.8)	2.200 (55.9)
20, 21 (G)	.980 (24.9)	1.195 (30.4)	1.310 (33.3)	1.525 (38.7)	.926 (23.5)	2.220 (56.4)	.975 (24.8)	2.200 (55.9)
22, 23 (H)	1.000 (25.4)	1.215 (30.9)	1.360 (34.5)	1.575 (40.0)	1.020 (25.9)	2.370 (60.2)	1.125 (28.6)	2.310 (58.7)
24, 25 (J)	1.030 (26.2)	1.245 (31.6)	1.430 (36.3)	1.645 (41.8)	1.020 (25.9)	2.370 (60.2)	1.125 (28.6)	2.310 (58.7)
28	1.145 (29.1)	2.420 (61.5)	1.225 (31.1)	2.480 (63.0)	1.145 (29.1)	2.420 (61.5)	1.225 (31.1)	2.480 (63.0)
32	1.207 (30.7)	2.520 (64.0)	1.575 (40.0)	2.730 (69.3)	1.207 (30.7)	2.520 (64.0)	1.575 (40.0)	2.730 (69.3)
36	1.238 (31.4)	2.610 (66.3)	1.775 (45.1)	2.730 (69.3)	1.238 (31.4)	2.610 (66.3)	1.775 (45.1)	2.730 (69.3)

Notes

1. This table specifies standard dimensions for TopFlite's adapters. If the customer requires dimensions that vary from provided catalog dimensions, please contact your TopFlite sales representative.
2. For additional shell size dimensions, such as those for TopFlite's Micro Miniature (M&M Connector™) Series, please contact the factory for the appropriate engineering drawing.

PART NUMBER BREAKDOWN												
EXAMPLE PART NUMBER	TF	A	35	1	F	2	-08	03	-6	-10	-ZXXX	
STANDARD PREFIX												
CONNECTOR INTERFACE	A - MIL-DTL-5015, MIL-DTL-26482 SERIES II, MIL-DTL-83723 SERIES III B - MIL-DTL-26482 SERIES I C - MIL-DTL-38999 SERIES I & II D - MIL-DTL-38999 SERIES III & IV (PLEASE REFER TO PAGE 2 FOR ADDITIONAL INTERFACE CODES)											
SERIES	35											
ANGLE	1 - STRAIGHT 4 - 45 DEGREE 9 - 90 DEGREE 3 - 45 DEGREE, FULL RADIUS/SWEEPING 8 - 90 DEGREE, FULL RADIUS/SWEEPING											
MATERIAL/ FINISH	F - ALUMINUM W/ ELECTROLESS NICKEL Z - ALUMINUM W/ BLACK ZINC NICKEL A - ALUMINUM W/ BLACK ANODIZE D - ALUMINUM W/ OLIVE DRAB CADMIUM T - ALUMINUM W/ NICKEL TEFLON/PTFE K - STAINLESS W/ PASSIVATION TREATMENT (SEE PAGE 4 FOR MATERIAL AND FINISH SPECIFICATIONS & ADDITIONAL FINISHES)											
COUPLING TYPE	1 - DIRECT COUPLING 2 - SELF-LOCKING COUPLING 3 - RATCHETING COUPLING 4 - ANTI-DECOUPLING VIA WAVE SPRING											
SHELL SIZE	08 11 15 ETC.											
CABLE ENTRY	03 34 ETC. (SEE CABLE ENTRY CHART PAGE 3)											
LENGTH	1/4 INCREMENTS, FOR EXAMPLE: 3 = 0.75", 7 = 1.75", ETC. (OMIT FOR STANDARD 1.5 INCH LENGTH) (STRAIGHT ONLY)											
SHIELD OPTION	(1 INCH INCREMENTS; 6 INCH MINIMUM)											
Z-CODE	Z112 Z090 Z030 ETC. (CONTACT SALES STAFF IF A Z-CODE IS REQUIRED FOR A CUSTOM CONFIGURATION/OPTION(S). OMIT FOR NONE)											

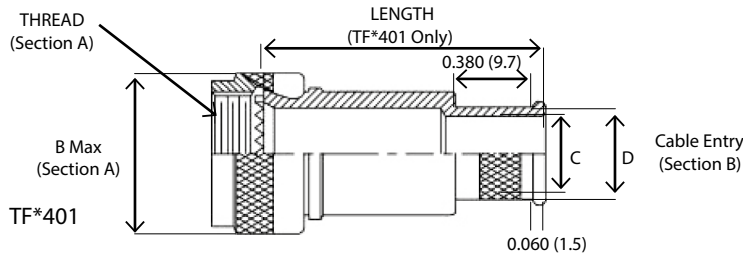
Disclaimer

All information in this catalog is believed to be reliable. Readers should independently evaluate each product to confirm suitability with their specific application. Topflite components makes no warranties as to the accuracy or completeness of the information and disclaim any liability regarding its use. Specifications are subject to change without notice. Topflite components processes or materials that do not affect compliance with any applicable specification are subject to change without notice.

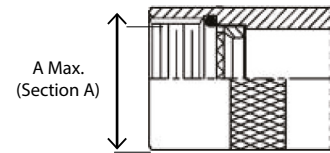
SPRING OR BAND TERMINATION ADAPTER

TF*401, TF*403, TF*404, TF*408, TF*409

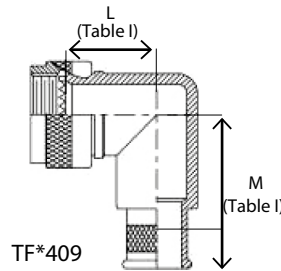
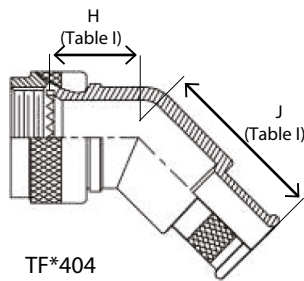
EMI/RFI SINGLE SPRING OR BAND TERMINATION STYLE



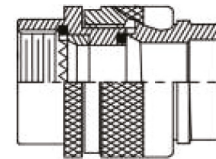
DIRECT COUPLING OPTION (STRAIGHT)



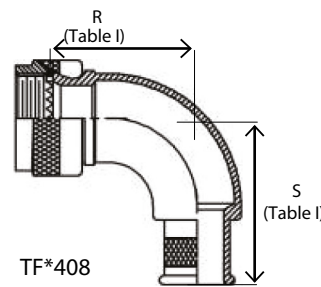
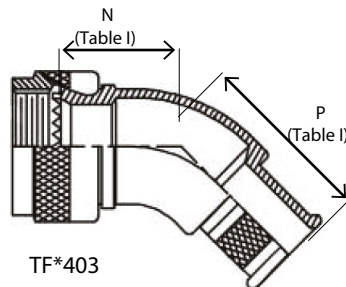
STANDARD PROFILE



DIRECT COUPLING OPTION (45° AND 90°)



FULL-RADIUS PROFILE



DIRECT COUPLING OPTION (45° AND 90°)

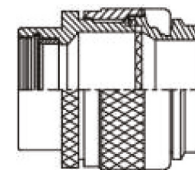


TABLE I
DIMENSIONAL CHART - 45 AND 90 DEGREE ADAPTERS

SHELL SIZE	H MAX	J MAX	L MAX	M MAX	N MAX	P MAX	R MAX	S MAX
8, 9 (A)	.639 (16.2)	.890 (22.6)	.750 (19.1)	1.000 (25.4)	.812 (20.6)	.807 (20.5)	1.125 (28.6)	1.125 (28.6)
10, 11 (B)	.664 (16.9)	.920 (23.4)	.810 (20.6)	1.060 (26.9)	.875 (22.2)	.861 (21.9)	1.250 (31.8)	1.250 (31.8)
12, 13 (C)	.688 (17.5)	.940 (23.9)	.870 (22.1)	1.120 (28.4)	.938 (23.8)	.911 (23.1)	1.375 (34.9)	1.375 (34.9)
14, 15 (D)	.705 (17.9)	.970 (24.6)	.920 (23.4)	1.190 (30.2)	1.000 (25.4)	.965 (24.5)	1.500 (38.1)	1.500 (38.1)
16, 17 (E)	.732 (18.6)	.990 (25.1)	.980 (24.9)	1.250 (31.8)	1.062 (27.0)	1.014 (25.8)	1.625 (41.3)	1.625 (41.3)
18, 19 (F)	.748 (19.0)	1.000 (25.4)	1.020 (25.9)	1.270 (32.3)	1.094 (27.8)	1.064 (27.0)	1.750 (44.5)	1.750 (44.5)
20, 21 (G)	.773 (19.6)	1.020 (25.9)	1.080 (27.4)	1.330 (33.8)	1.156 (29.4)	1.118 (28.4)	1.875 (47.6)	1.875 (47.6)
22, 23 (H)	.800 (20.3)	1.060 (26.9)	1.140 (29.0)	1.410 (35.8)	1.188 (30.2)	1.172 (29.8)	2.000 (50.8)	2.000 (50.8)
24, 25 (J)	.823 (20.9)	1.090 (27.7)	1.200 (30.5)	1.480 (37.6)	1.250 (31.8)	1.221 (31.0)	2.125 (54.0)	2.125 (54.0)

Notes

1. This table specifies standard dimensions for TopFlite's adapters. If the customer requires dimensions that vary from provided catalog dimensions, please contact your TopFlite sales representative.
2. For additional shell size dimensions, such as those for TopFlite's Micro Miniature (M&M Connector™) Series, please contact the factory for the appropriate engineering drawing.

PART NUMBER BREAKDOWN												
EXAMPLE PART NUMBER	TF	A	40	1	F	2	-08	03	B1	-8	-S	-ZXXX
STANDARD PREFIX												
CONNECTOR INTERFACE	A - MIL-DTL-5015, MIL-DTL-26482 SERIES II, MIL-DTL-83723 SERIES III B - MIL-DTL-26482 SERIES I C - MIL-DTL-38999 SERIES I & II D - MIL-DTL-38999 SERIES III & IV (PLEASE REFER TO PAGE 2 FOR ADDITIONAL INTERFACE CODES)											
SERIES	40											
ANGLE	1 - STRAIGHT 4 - 45 DEGREE 9 - 90 DEGREE 3 - 45 DEGREE, FULL RADIUS/SWEEPING 8 - 90 DEGREE, FULL RADIUS/SWEEPING											
MATERIAL/ FINISH	F - ALUMINUM W/ ELECTROLESS NICKEL Z - ALUMINUM W/ BLACK ZINC NICKEL A - ALUMINUM W/ BLACK ANODIZE D - ALUMINUM W/ OLIVE DRAB CADMIUM T - ALUMINUM W/ NICKEL TEFLON/PTFE K - STAINLESS W/ PASSIVATION TREATMENT (SEE PAGE 4 FOR MATERIAL AND FINISH SPECIFICATIONS & ADDITIONAL FINISHES)											
COUPLING TYPE	1 - DIRECT COUPLING 2 - SELF-LOCKING COUPLING 3 - RATCHETING COUPLING 4 - ANTI-DECOUPLING VIA WAVE SPRING											
SHELL SIZE	08 11 15 ETC.											
CABLE ENTRY	03 34 ETC. (SEE CABLE ENTRY CHART PAGE 3)											
BAND OPTION	(SEE PAGE 7 FOR TERMINATION BAND OPTIONS. OMIT FOR NONE)											
LENGTH	1/4 INCREMENTS, FOR EXAMPLE: 3 = 0.75" , 7 = 1.75", ETC. (OMIT FOR STANDARD 1.5 INCH LENGTH) (STRAIGHT ONLY)											
SLOT	S (DOUBLE SLOT IN BAND LANDING AREA. OMIT FOR NONE)											
Z-CODE	Z112 Z090 Z030 ETC. (CONTACT SALES STAFF IF A Z-CODE IS REQUIRED FOR A CUSTOM CONFIRGURATION/OPTION(S). OMIT FOR NONE)											

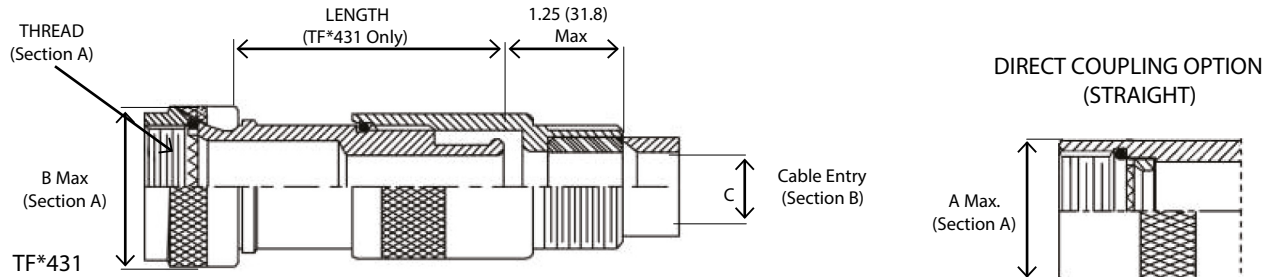
Disclaimer

All information in this catalog is believed to be reliable. Readers should independently evaluate each product to confirm suitability with their specific application. Topflite components makes no warranties as to the accuracy or completeness of the information and disclaim any liability regarding its use. Specifications are subject to change without notice. Topflite components processes or materials that do not affect compliance with any applicable specification are subject to change without notice.

CABLE SEALING EMI/RFI BAND-IN-A-CAN ADAPTER

TF*431, TF*434, TF*439

STANDARD PROFILE - WITH STRAIN RELIEF



STANDARD PROFILE

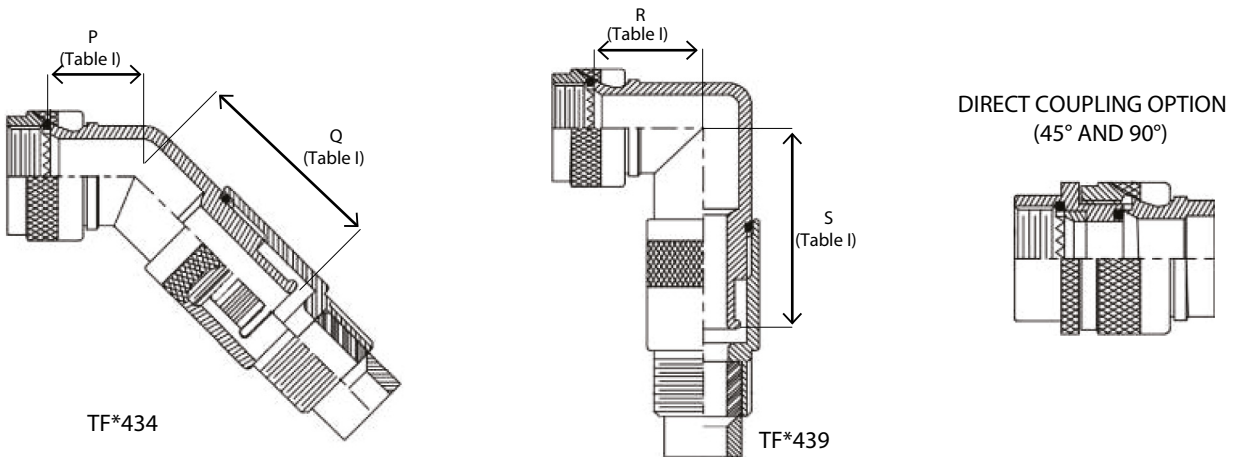


TABLE I
DIMENSIONAL CHART - 45 AND 90 DEGREE ADAPTERS

SHELL SIZE	H MAX	J MAX	L MAX	M MAX
8, 9 (A)	.639 (16.2)	1.380 (35.1)	.750 (19.1)	1.500 (38.1)
10, 11 (B)	.664 (16.9)	1.410 (35.8)	.810 (20.6)	1.550 (39.4)
12, 13 (C)	.688 (17.5)	1.430 (36.3)	.870 (22.1)	1.610 (40.9)
14, 15 (D)	.705 (17.9)	1.460 (37.1)	.920 (23.4)	1.680 (42.7)
16, 17 (E)	.732 (18.6)	1.480 (37.6)	.980 (24.9)	1.740 (44.2)
18, 19 (F)	.748 (19.0)	1.490 (37.8)	1.020 (25.9)	1.760 (44.7)
20, 21 (G)	.773 (19.6)	1.510 (38.4)	1.080 (27.4)	1.820 (46.2)
22, 23 (H)	.800 (20.3)	1.550 (39.4)	1.140 (29.0)	1.900 (48.3)
24, 25 (J)	.823 (20.9)	1.580 (40.1)	1.200 (30.5)	1.970 (50.0)

Notes

1. This table specifies standard dimensions for TopFlite's adapters. If the customer requires dimensions that vary from provided catalog dimensions, please contact your TopFlite sales representative.
2. For additional shell size dimensions, such as those for TopFlite's Micro Miniature (M&M Connector™) Series, please contact the factory for the appropriate engineering drawing.

PART NUMBER BREAKDOWN												
EXAMPLE PART NUMBER	TF	A	43	1	F	2	-08	03	-6	-A	-ZXXX	
STANDARD PREFIX												
CONNECTOR INTERFACE	A - MIL-DTL-5015, MIL-DTL-26482 SERIES II, MIL-DTL-83723 SERIES III B - MIL-DTL-26482 SERIES I C - MIL-DTL-38999 SERIES I & II D - MIL-DTL-38999 SERIES III & IV (PLEASE REFER TO PAGE 2 FOR ADDITIONAL INTERFACE CODES)											
SERIES	43											
ANGLE	1 - STRAIGHT 4 - 45 DEGREE 9 - 90 DEGREE 3 - 45 DEGREE, FULL RADIUS/SWEEPING 8 - 90 DEGREE, FULL RADIUS/SWEEPING											
MATERIAL/ FINISH	F - ALUMINUM W/ ELECTROLESS NICKEL Z - ALUMINUM W/ BLACK ZINC NICKEL A - ALUMINUM W/ BLACK ANODIZE D - ALUMINUM W/ OLIVE DRAB CADMIUM T - ALUMINUM W/ NICKEL TEFLON/PTFE K - STAINLESS W/ PASSIVATION TREATMENT (SEE PAGE 4 FOR MATERIAL AND FINISH SPECIFICATIONS & ADDITIONAL FINISHES)											
COUPLING TYPE	1 - DIRECT COUPLING 2 - SELF-LOCKING COUPLING 3 - RATCHETING COUPLING 4 - ANTI-DECOUPLING VIA WAVE SPRING											
SHELL SIZE	08 11 15 ETC.											
CABLE ENTRY	03 34 ETC. (SEE CABLE ENTRY CHART PAGE 3)											
LENGTH	1/4 INCREMENTS, FOR EXAMPLE: 3 = 0.75", 7 = 1.75", ETC. (OMIT FOR STANDARD 1.5 INCH LENGTH) (STRAIGHT ONLY)											
STRAIN RELIEF OPTION	(SEE OPTIONS PAGE 8. OMIT FOR NONE)											
Z-CODE	Z112 Z090 Z030 ETC. (CONTACT SALES STAFF IF A Z-CODE IS REQUIRED FOR A CUSTOM CONFIGURATION/OPTION(S). OMIT FOR NONE)											

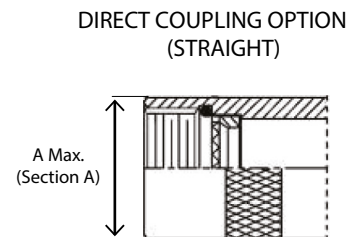
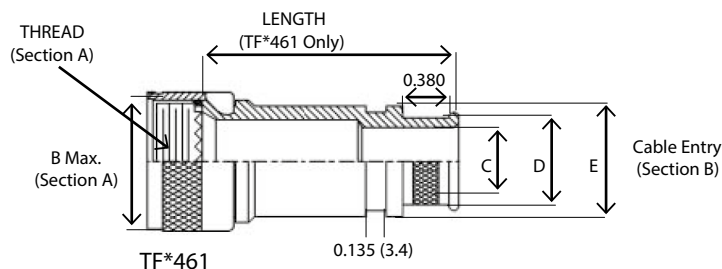
Disclaimer

All information in this catalog is believed to be reliable. Readers should independently evaluate each product to confirm suitability with their specific application. Topflite components makes no warranties as to the accuracy or completeness of the information and disclaim any liability regarding its use. Specifications are subject to change without notice. Topflite components processes or materials that do not affect compliance with any applicable specification are subject to change without notice.

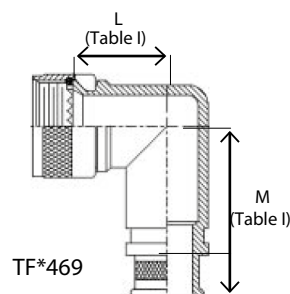
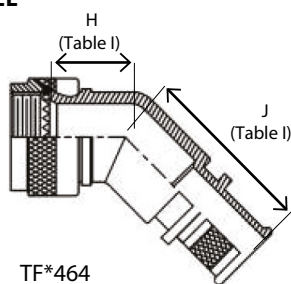
SPRING OR BAND TERMINATION ADAPTER

TF*461, TF*463, TF*464, TF*468, TF*469

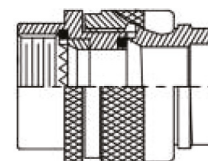
EMI/RFI SINGLE SPRING OR BAND TERMINATION STYLE



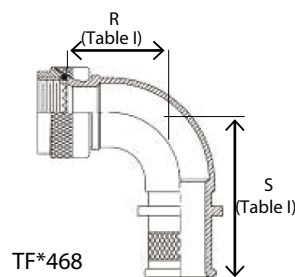
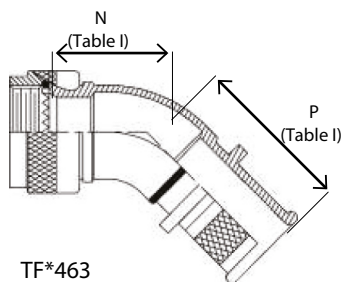
STANDARD PROFILE



DIRECT COUPLING OPTION (45° AND 90°)



FULL-RADIUS PROFILE



DIRECT COUPLING OPTION (45° AND 90°)

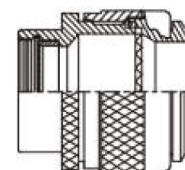


TABLE I
DIMENSIONAL CHART – 45 AND 90 DEGREE ADAPTERS

SHELL SIZE	H MAX	J MAX	L MAX	M MAX	N MAX	P MAX	R MAX	S MAX
8, 9 (A)	.531 (13.5)	.940 (23.9)	.639 (16.2)	1.110 (28.2)	.812 (20.6)	1.017 (25.8)	1.125 (28.6)	1.335 (33.9)
10, 11 (B)	.594 (15.1)	1.000 (25.4)	.664 (16.9)	1.140 (29.0)	.875 (22.2)	1.071 (27.2)	1.250 (31.8)	1.460 (37.1)
12, 13 (C)	.618 (15.7)	1.050 (26.7)	.688 (17.5)	1.160 (29.5)	.938 (23.8)	1.121 (28.5)	1.375 (34.9)	1.585 (40.3)
14, 15 (D)	.656 (16.7)	1.090 (27.7)	.705 (17.9)	1.190 (30.2)	1.000 (25.4)	1.175 (29.8)	1.500 (38.1)	1.710 (43.4)
16, 17 (E)	.688 (17.5)	1.150 (29.2)	.732 (18.6)	1.210 (30.7)	1.062 (27.0)	1.224 (31.1)	1.625 (41.3)	1.835 (46.6)
18, 19 (F)	.748 (19.0)	1.190 (30.2)	.803 (20.4)	1.221 (31.0)	1.094 (27.8)	1.274 (32.4)	1.750 (44.5)	1.960 (49.8)
20, 21 (G)	.773 (19.6)	1.250 (31.8)	1.031 (26.2)	1.281 (32.5)	1.156 (29.4)	1.328 (33.7)	1.875 (47.6)	2.085 (53.0)
22, 23 (H)	.800 (20.3)	1.320 (33.5)	1.156 (29.4)	1.351 (34.3)	1.188 (30.2)	1.382 (35.1)	2.000 (50.8)	2.210 (56.1)
24, 25 (J)	.823 (20.9)	1.380 (35.1)	1.219 (31.0)	1.410 (35.8)	1.250 (31.8)	1.431 (36.3)	2.125 (54.0)	2.335 (59.3)

Notes

1. This table specifies standard dimensions for TopFlite's adapters. If the customer requires dimensions that vary from provided catalog dimensions, please contact your TopFlite sales representative.
2. For additional shell size dimensions, such as those for TopFlite's Micro Miniature (M&M Connector™) Series, please contact the factory for the appropriate engineering drawing.

PART NUMBER BREAKDOWN												
EXAMPLE PART NUMBER	TF	A	46	1	F	2	-08	03	B1	-8	-S	-ZXXX
STANDARD PREFIX												
CONNECTOR INTERFACE	A - MIL-DTL-5015, MIL-DTL-26482 SERIES II, MIL-DTL-83723 SERIES III B - MIL-DTL-26482 SERIES I C - MIL-DTL-38999 SERIES I & II D - MIL-DTL-38999 SERIES III & IV (PLEASE REFER TO PAGE 2 FOR ADDITIONAL INTERFACE CODES)											
SERIES	46											
ANGLE	1 - STRAIGHT 4 - 45 DEGREE 9 - 90 DEGREE 3 - 45 DEGREE, FULL RADIUS/SWEEPING 8 - 90 DEGREE, FULL RADIUS/SWEEPING											
MATERIAL/ FINISH	F - ALUMINUM W/ ELECTROLESS NICKEL Z - ALUMINUM W/ BLACK ZINC NICKEL A - ALUMINUM W/ BLACK ANODIZE D - ALUMINUM W/ OLIVE DRAB CADMIUM T - ALUMINUM W/ NICKEL TEFLON/PTFE K - STAINLESS W/ PASSIVATION TREATMENT (SEE PAGE 4 FOR MATERIAL AND FINISH SPECIFICATIONS & ADDITIONAL FINISHES)											
COUPLING TYPE	1 - DIRECT COUPLING 2 - SELF-LOCKING COUPLING 3 - RATCHETING COUPLING 4 - ANTI-DECOUPLING VIA WAVE SPRING											
SHELL SIZE	08 11 15 ETC.											
CABLE ENTRY	03 34 ETC. (SEE CABLE ENTRY CHART PAGE 3)											
BAND OPTION	(SEE PAGE 7 FOR TERMINATION BAND OPTIONS. OMIT FOR NONE)											
LENGTH	1/4 INCREMENTS, FOR EXAMPLE: 3 = 0.75" , 7 = 1.75", ETC. (OMIT FOR STANDARD 1.5 INCH LENGTH) (STRAIGHT ONLY)											
SLOT	S (DOUBLE SLOT IN BAND LANDING AREA. OMIT FOR NONE)											
Z-CODE	Z112 Z090 Z030 ETC. (CONTACT SALES STAFF IF A Z-CODE IS REQUIRED FOR A CUSTOM CONFIGURATION/OPTION(S). OMIT FOR NONE)											

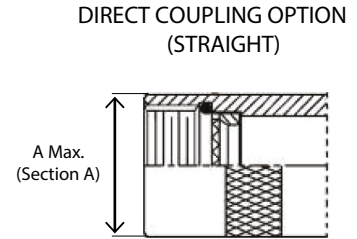
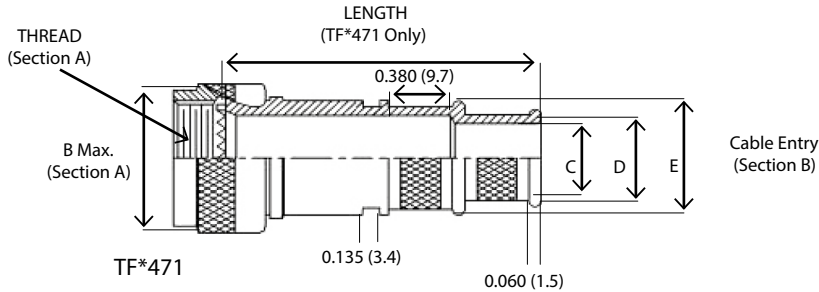
Disclaimer

All information in this catalog is believed to be reliable. Readers should independently evaluate each product to confirm suitability with their specific application. Topflite components makes no warranties as to the accuracy or completeness of the information and disclaim any liability regarding its use. Specifications are subject to change without notice. Topflite components processes or materials that do not affect compliance with any applicable specification are subject to change without notice.

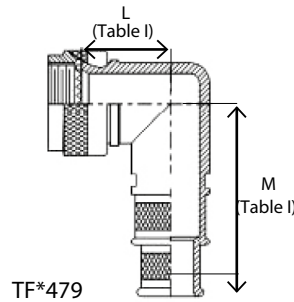
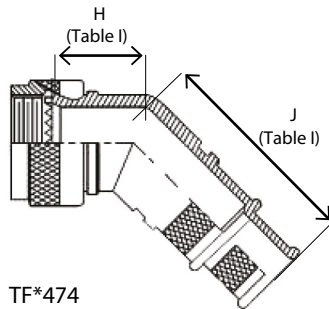
SPRING OR BAND TERMINATION ADAPTER

TF*471, TF*473, TF*474, TF*478, TF*479

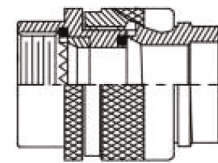
EMI/RFI DUAL SPRING OR BAND TERMINATION STYLE



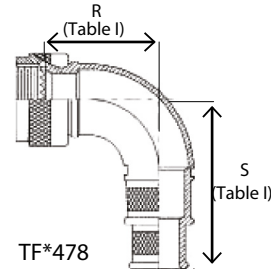
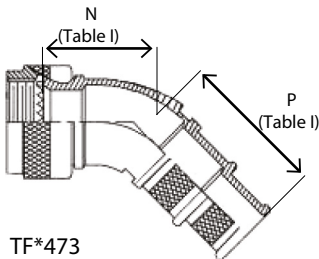
STANDARD PROFILE



DIRECT COUPLING OPTION (45° AND 90°)



FULL-RADIUS PROFILE



DIRECT COUPLING OPTION (45° AND 90°)

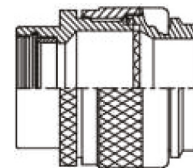


TABLE I
DIMENSIONAL CHART - 45 AND 90 DEGREE ADAPTERS

SHELL SIZE	H MAX	J MAX	L MAX	M MAX	N MAX	P MAX	R MAX	S MAX
8, 9 (A)	.639 (16.2)	1.38 (35.1)	.750 (19.1)	1.550 (39.4)	.812 (20.6)	1.230 (31.2)	1.125 (28.6)	1.530 (38.9)
10, 11 (B)	.664 (16.9)	1.44 (36.6)	.810 (20.6)	1.580 (40.2)	.875 (22.2)	1.290 (32.8)	1.250 (31.8)	1.660 (42.2)
12, 13 (C)	.688 (17.5)	1.49 (37.9)	.870 (22.1)	1.600 (40.7)	.938 (23.8)	1.350 (34.3)	1.375 (34.9)	1.790 (45.5)
14, 15 (D)	.705 (17.9)	1.53 (38.9)	.920 (23.4)	1.630 (41.4)	1.000 (25.4)	1.410 (35.8)	1.500 (38.1)	1.910 (48.5)
16, 17 (E)	.732 (18.6)	1.59 (40.4)	.980 (24.9)	1.650 (41.9)	1.062 (27.0)	1.470 (37.3)	1.625 (41.3)	2.040 (51.8)
18, 19 (F)	.748 (19.0)	1.63 (41.4)	1.020 (25.9)	1.661 (42.2)	1.094 (27.8)	1.540 (39.1)	1.750 (44.5)	2.160 (54.9)
20, 21 (G)	.773 (19.6)	1.69 (43.0)	1.080 (27.4)	1.721 (43.7)	1.156 (29.4)	1.600 (40.6)	1.875 (47.6)	2.290 (58.2)
22, 23 (H)	.800 (20.3)	1.76 (44.7)	1.140 (29.0)	1.791 (45.5)	1.188 (30.2)	1.660 (42.2)	2.000 (50.8)	2.410 (61.2)
24, 25 (J)	.823 (20.9)	1.82 (46.3)	1.200 (30.5)	1.850 (47.0)	1.250 (31.8)	1.720 (43.7)	2.125 (54.0)	2.540 (64.5)

Notes

1. This table specifies standard dimensions for TopFlite's adapters. If the customer requires dimensions that vary from provided catalog dimensions, please contact your TopFlite sales representative.
2. For additional shell size dimensions, such as those for TopFlite's Micro Miniature (M&M Connector™) Series, please contact the factory for the appropriate engineering drawing.

PART NUMBER BREAKDOWN												
EXAMPLE PART NUMBER	TF	A	47	1	F	2	-08	03	B1	-8	-S	-ZXXX
STANDARD PREFIX												
CONNECTOR INTERFACE	A - MIL-DTL-5015, MIL-DTL-26482 SERIES II, MIL-DTL-83723 SERIES III B - MIL-DTL-26482 SERIES I C - MIL-DTL-38999 SERIES I & II D - MIL-DTL-38999 SERIES III & IV (PLEASE REFER TO PAGE 2 FOR ADDITIONAL INTERFACE CODES)											
SERIES	47											
ANGLE	1 - STRAIGHT 4 - 45 DEGREE 9 - 90 DEGREE 3 - 45 DEGREE, FULL RADIUS/SWEEPING 8 - 90 DEGREE, FULL RADIUS/SWEEPING											
MATERIAL/ FINISH	F - ALUMINUM W/ ELECTROLESS NICKEL Z - ALUMINUM W/ BLACK ZINC NICKEL A - ALUMINUM W/ BLACK ANODIZE D - ALUMINUM W/ OLIVE DRAB CADMIUM T - ALUMINUM W/ NICKEL TEFLON/PTFE K - STAINLESS W/ PASSIVATION TREATMENT (SEE PAGE 4 FOR MATERIAL AND FINISH SPECIFICATIONS & ADDITIONAL FINISHES)											
COUPLING TYPE	1 - DIRECT COUPLING 2 - SELF-LOCKING COUPLING 3 - RATCHETING COUPLING 4 - ANTI-DECOUPLING VIA WAVE SPRING											
SHELL SIZE	08 11 15 ETC.											
CABLE ENTRY	03 34 ETC. (SEE CABLE ENTRY CHART PAGE 3)											
BAND OPTION	(SEE PAGE 7 FOR TERMINATION BAND OPTIONS. OMIT FOR NONE)											
LENGTH	1/4 INCREMENTS, FOR EXAMPLE: 3 = 0.75" , 7 = 1.75", ETC. (OMIT FOR STANDARD 1.5 INCH LENGTH) (STRAIGHT ONLY)											
SLOT	S (DOUBLE SLOT IN BAND LANDING AREA. OMIT FOR NONE)											
Z-CODE	Z112 Z090 Z030 ETC. (CONTACT SALES STAFF IF A Z-CODE IS REQUIRED FOR A CUSTOM CONFIGURATION/OPTION(S). OMIT FOR NONE)											

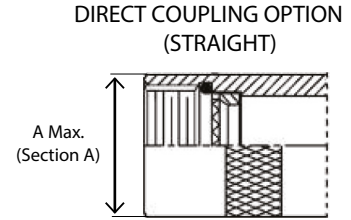
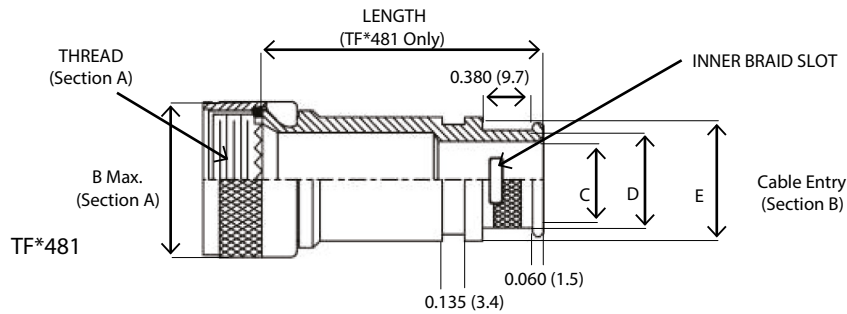
Disclaimer

All information in this catalog is believed to be reliable. Readers should independently evaluate each product to confirm suitability with their specific application. Topflite components makes no warranties as to the accuracy or completeness of the information and disclaim any liability regarding its use. Specifications are subject to change without notice. Topflite components processes or materials that do not affect compliance with any applicable specification are subject to change without notice.

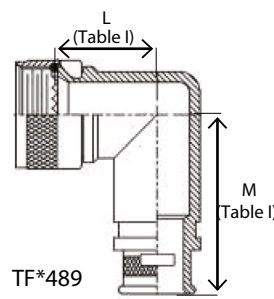
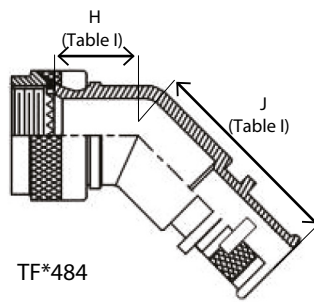
BAND TERMINATION ADAPTER

TF*481, TF*483, TF*484, TF*488, TF*489

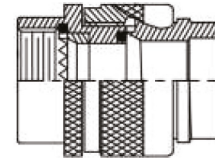
INNER AND OUTER TERMINATION ADAPTER



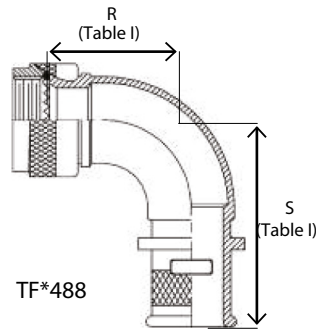
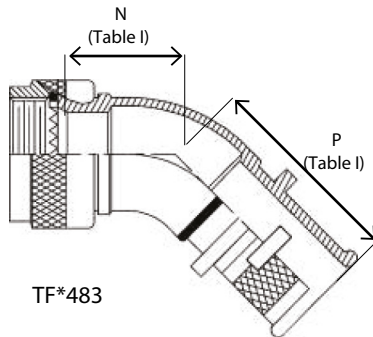
STANDARD PROFILE



DIRECT COUPLING OPTION (45° AND 90°)



FULL-RADIUS PROFILE



DIRECT COUPLING OPTION (45° AND 90°)

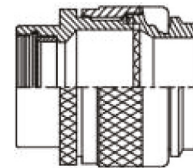


TABLE I
DIMENSIONAL CHART - 45 AND 90 DEGREE ADAPTERS

SHELL SIZE	H MAX	J MAX	L MAX	M MAX	N MAX	P MAX	R MAX	S MAX
8,9 (A)	.531 (13.5)	.940 (23.9)	.639 (16.2)	1.110 (28.2)	.812 (20.6)	1.017 (25.8)	1.125 (28.6)	1.335 (33.9)
10, 11 (B)	.594 (15.1)	1.000 (25.4)	.664 (16.9)	1.140 (29.0)	.875 (22.2)	1.071 (27.2)	1.250 (31.8)	1.460 (37.1)
12, 13 (C)	.618 (15.7)	1.050 (26.7)	.688 (17.5)	1.160 (29.5)	.938 (23.8)	1.121 (28.5)	1.375 (34.9)	1.585 (40.3)
14, 15 (D)	.656 (16.7)	1.090 (27.7)	.705 (17.9)	1.190 (30.2)	1.000 (25.4)	1.175 (29.8)	1.500 (38.1)	1.710 (43.4)
16, 17 (E)	.688 (17.5)	1.150 (29.2)	.732 (18.6)	1.210 (30.7)	1.062 (27.0)	1.224 (31.1)	1.625 (41.3)	1.835 (46.6)
18, 19 (F)	.748 (19.0)	1.190 (30.2)	.803 (20.4)	1.221 (31.0)	1.094 (27.8)	1.274 (32.4)	1.750 (44.5)	1.960 (49.8)
20, 21 (G)	.773 (19.6)	1.250 (31.8)	1.031 (26.2)	1.281 (32.5)	1.156 (29.4)	1.328 (33.7)	1.875 (47.6)	2.085 (53.0)
22, 23 (H)	.800 (20.3)	1.320 (33.5)	1.156 (29.4)	1.351 (34.3)	1.188 (30.2)	1.382 (35.1)	2.000 (50.8)	2.210 (56.1)
24, 25 (J)	.823 (20.9)	1.380 (35.1)	1.219 (31.0)	1.410 (35.8)	1.250 (31.8)	1.431 (36.3)	2.125 (54.0)	2.335 (59.3)

Notes

1. This table specifies standard dimensions for TopFlite's adapters. If the customer requires dimensions that vary from provided catalog dimensions, please contact your TopFlite sales representative.
2. For additional shell size dimensions, such as those for TopFlite's Micro Miniature (M&M Connector™) Series, please contact the factory for the appropriate engineering drawing.

PART NUMBER BREAKDOWN												
EXAMPLE PART NUMBER	TF	A	48	1	F	2	-08	03	B1	-8	-S	-ZXXX
STANDARD PREFIX												
CONNECTOR INTERFACE	A - MIL-DTL-5015, MIL-DTL-26482 SERIES II, MIL-DTL-83723 SERIES III B - MIL-DTL-26482 SERIES I C - MIL-DTL-38999 SERIES I & II D - MIL-DTL-38999 SERIES III & IV (PLEASE REFER TO PAGE 2 FOR ADDITIONAL INTERFACE CODES)											
SERIES	48											
ANGLE	1 - STRAIGHT 4 - 45 DEGREE 9 - 90 DEGREE 3 - 45 DEGREE, FULL RADIUS/SWEEPING 8 - 90 DEGREE, FULL RADIUS/SWEEPING											
MATERIAL/ FINISH	F - ALUMINUM W/ ELECTROLESS NICKEL Z - ALUMINUM W/ BLACK ZINC NICKEL A - ALUMINUM W/ BLACK ANODIZE D - ALUMINUM W/ OLIVE DRAB CADMIUM T - ALUMINUM W/ NICKEL TEFLON/PTFE K - STAINLESS W/ PASSIVATION TREATMENT (SEE PAGE 4 FOR MATERIAL AND FINISH SPECIFICATIONS & ADDITIONAL FINISHES)											
COUPLING TYPE	1 - DIRECT COUPLING 2 - SELF-LOCKING COUPLING 3 - RATCHETING COUPLING 4 - ANTI-DECOUPLING VIA WAVE SPRING											
SHELL SIZE	08 11 15 ETC.											
CABLE ENTRY	03 34 ETC. (SEE CABLE ENTRY CHART PAGE 3)											
BAND OPTION	(SEE PAGE 7 FOR TERMINATION BAND OPTIONS. OMIT FOR NONE)											
LENGTH	1/4 INCREMENTS, FOR EXAMPLE: 3 = 0.75" , 7 = 1.75", ETC. (OMIT FOR STANDARD 1.5 INCH LENGTH) (STRAIGHT ONLY)											
SLOT	S (DOUBLE SLOT IN BAND LANDING AREA. OMIT FOR NONE)											
Z-CODE	Z112 Z090 Z030 ETC. (CONTACT SALES STAFF IF A Z-CODE IS REQUIRED FOR A CUSTOM CONFIRGURATION/OPTION(S). OMIT FOR NONE)											

Disclaimer

All information in this catalog is believed to be reliable. Readers should independently evaluate each product to confirm suitability with their specific application. Topflite components makes no warranties as to the accuracy or completeness of the information and disclaim any liability regarding its use. Specifications are subject to change without notice. Topflite components processes or materials that do not affect compliance with any applicable specification are subject to change without notice.