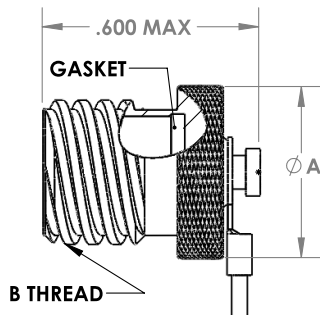


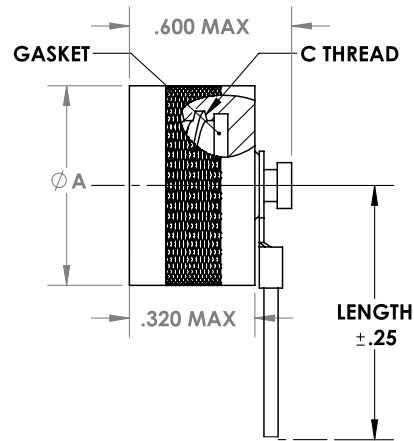
TOPFLITE PROTECTIVE COVER

TFMR1 & TFMP1

TFMP1 PLUG CAP



TFMR1 RECEPTACLE CAP



TFMR1 & TFMP1 DIMENSIONAL DATA

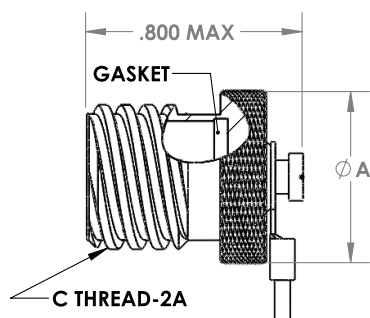
Shell Size	A MAX.		B	C
	IN.	MM.		
5	.462	11.73	.3125-28 UN-2A	.3125-28 UN-2B
6	.525	10.80	.3750-28 UN-2A	.3750-28 UN-2B
7	.588	14.94	.4375-28 UNEF-2A	.4375-28 UNEF-2B
8	.650	16.51	.5000-32 UN-2A	.5000-32 UN-2B
9	.713	18.11	.5625-32 UN-2A	.5625-32 UN-2B
10	.838	21.29	.6250-32 UN-2A	.6250-32 UN-2B
12	.900	22.86	.7500-28 UN-2A	.7500-28 UN-2B

PART NUMBER BREAKDOWN							
EXAMPLE PART NUMBER	TFMR1-	12	F-	35	S-	02	-ZXXX
BASIC PART NUMBER	TFMP1- UN-THREAD MICRO CONNECTOR (M&M™) CAP (For Plugs) TFMR1- UN-THREAD MICRO CONNECTOR (M&M™) CAP (For Receptacles)						
SHELL SIZE	5, 6, 7, 8, 9, 10, 12						
MATERIAL/ FINISH	F- ALUMINUM W/ ELECTROLESS NICKEL Z - ALUMINUM W/ BLACK ZINC NICKEL A - ALUMINUM W/ BLACK ANODIZE D - ALUMINUM W/ OLIVE DRAB CADMIUM T - ALUMINUM W/ NICKEL TEFLON/PTFE K - STAINLESS W/ PASSIVATION TREATMENT (SEE PAGE 4 FOR MATERIAL AND FINISH SPECIFICATIONS & ADDITIONAL FINISHES)						
LENGTH	1/2 INCH INCREMENTS (EX. 35 IS 3.5 INCHES)						
ACCESSORY	(SEE PAGE 8)						
EYELET OR RING SIZE	(SEE PAGE 8)						
Z-CODE	Z112 Z090 Z030 ETC. (CONTACT SALES STAFF IF A Z-CODE IS REQUIRED FOR A CUSTOM CONFIGURATION/OPTION(S). OMIT FOR NONE)						

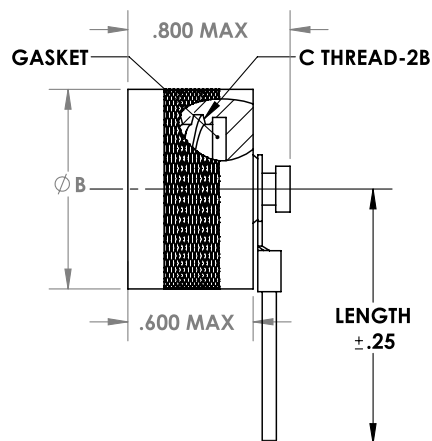
TOPFLITE PROTECTIVE COVER

TFMR2 & TFMP2

TFMP2 PLUG CAP



TFMP2 RECEPTACLE CAP



TFMR2 & TFMP2 DIMENSIONAL DATA

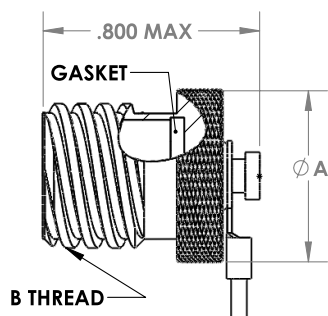
Shell Size	Ø A MAX.		Ø B Max.		Ø D Max. ±.015 (0.38)		C Thread
	IN.	MM.	IN.	MM.	IN.	MM.	
5	.465	11.8	.488	12.40	.368	9.3	.3125-.05P-.1L
6	.525	13.3	.555	14.10	.453	11.5	.375-.05P-.1L
7	.590	14.9	.615	15.62	.538	13.7	.4375-.05P-.1L
8	.653	16.6	.675	17.15	.587	14.9	.5000-.05-.1L
9	.715	18.0	.840	21.34	.648	16.5	.5625-.05P-.1L
10	.778	19.7	.905	22.95	.712	18.1	.6250-.05P-.1L
11	.840	21.3	.948	24.1	.778	19.8	.6875-.05P-.1L
13	.965	24.4	.995	25.27	.904	22.9	.8125-.1P-.2L
16	1.150	29.2	1.261	32.03	1.092	27.7	1.000-.1P-.2L
17	1.215	30.8	1.321	33.55	1.158	29.4	1.062-.1P-.2L
19	1.340	34.0	1.447	36.8	1.283	32.6	1.1875-.1P-.2L
21	1.477	37.5	1.570	39.88	1.412	35.8	1.3125-.1P-.2L

PART NUMBER BREAKDOWN							
EXAMPLE PART NUMBER	TFMR2	13	F-	35	S-	02	-ZXXX
BASIC PART NUMBER	TFMP2 - DOUBLE START THREAD MICRO CONNECTOR (M&M™)CAP (For Plugs) TFMR2 - DOUBLE START THREAD MICRO CONNECTOR (M&M™)CAP (For Receptacles)						
SHELL SIZE	5, 6, 7, 8, 9, 10, 11, 13, 16, 17, 19, 21						
MATERIAL/ FINISH	F- ALUMINUM W/ ELECTROLESS NICKEL Z - ALUMINUM W/ BLACK ZINC NICKEL A - ALUMINUM W/ BLACK ANODIZE D - ALUMINUM W/ OLIVE DRAB CADMIUM T - ALUMINUM W/ NICKEL TEFLON/PTFE K - STAINLESS W/ PASSIVATION TREATMENT (SEE PAGE 4 FOR MATERIAL AND FINISH SPECIFICATIONS & ADDITIONAL FINISHES)						
LENGTH	1/2 INCH INCREMENTS (EX. 35 IS 3.5 INCHES)						
ACCESSORY	(SEE PAGE 8)						
EYELET OR RING SIZE	(SEE PAGE 8)						
Z-CODE	Z112 Z090 Z030 ETC. (CONTACT SALES STAFF IF A Z-CODE IS REQUIRED FOR A CUSTOM CONFIGURATION/OPTION(S). OMIT FOR NONE)						

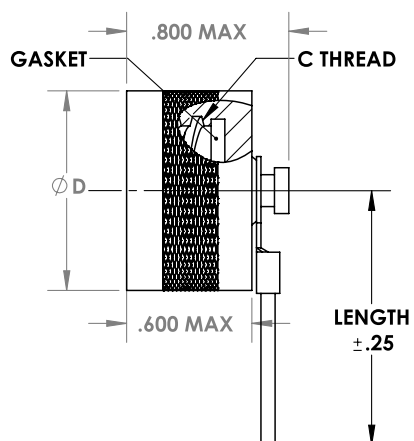
TOPFLITE PROTECTIVE COVER

TFMP3 & TFMR3

TFMP3 PLUG CAP



TFMR3 RECEPTACLE CAP



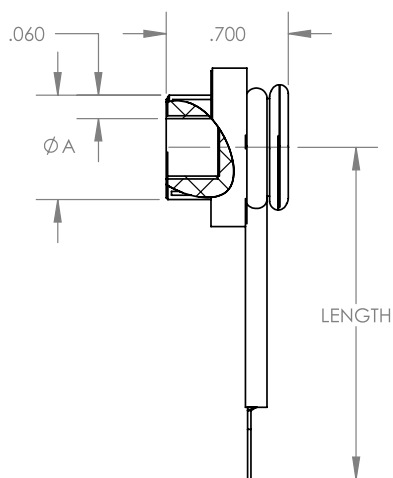
TFMP3 & TFMR3 DIMENSIONAL DATA

Shell Size	A ±.015 (.38)		D ±.015 (.38)		B THREAD	C Thread
	IN.	MM.	IN.	MM.		
8	.653	16.59	.653	16.59	.5000-.1P-.3L-TS-2A	.5000-.1P-.3L-TS-2B
9	.715	18.16	.715	18.16	.5625-.1P-.3L-TS-2A	.5625-.1P-.3L-TS-2B
10	.778	19.76	.778	19.76	.6250-.1P-.3L-TS-2A	.6250-.1P-.3L-TS-2B
11	.841	21.36	.850	21.59	.6875-.1P-.3L-TS-2A	.6875-.1P-.3L-TS-2B
12	.903	22.94	.903	22.94	.7500-.1P-.3L-TS-2A	.7500-.1P-.3L-TS-2B
13	.965	24.51	.965	24.51	.8125-.1P-.3L-TS-2A	.8125-.1P-.3L-TS-2B
15	1.091	27.71	1.091	27.71	.9375-.1P-.3L-TS-2A	.9375-.1P-.3L-TS-2B
18	1.278	32.46	1.278	32.46	1.1250-.1P-.3L-TS-2A	1.1250-.1P-.3L-TS-2B
19	1.340	34.04	1.340	34.04	1.1870-.1P-.3L-TS-2A	1.1870-.1P-.3L-TS-2B
21	1.490	37.85	1.490	37.85	1.3125-.1P-.3L-TS-2A	1.3125-.1P-.3L-TS-2B
23	1.600	40.64	1.600	40.64	1.4375-.1P-.3L-TS-2A	1.4375-.1P-.3L-TS-2B

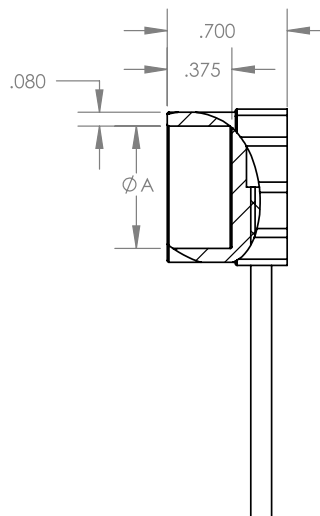
PART NUMBER BREAKDOWN							
EXAMPLE PART NUMBER	TFMR3-	13	F-	35	S-	02	-ZXXX
BASIC PART NUMBER	TFMP3- TRIPLE START THREAD MICRO CONNECTOR (M&M™)CAP (For Plugs) TFMR3- TRIPLE START THREAD MICRO CONNECTOR (M&M™)CAP (For Receptacles)						
SHELL SIZE	8, 9, 10, 11, 12, 13, 15, 18, 19, 21, 23						
MATERIAL/ FINISH	F- ALUMINUM W/ ELECTROLESS NICKEL Z - ALUMINUM W/ BLACK ZINC NICKEL A - ALUMINUM W/ BLACK ANODIZE D - ALUMINUM W/ OLIVE DRAB CADMIUM T - ALUMINUM W/ NICKEL TEFLON/PTFE K - STAINLESS W/ PASSIVATION TREATMENT (SEE PAGE 4 FOR MATERIAL AND FINISH SPECIFICATIONS & ADDITIONAL FINISHES)						
LENGTH	1/2 INCH INCREMENTS (EX. 35 IS 3.5 INCHES)						
ACCESSORY	(SEE PAGE 8)						
EYELET OR RING SIZE	(SEE PAGE 8)						
Z-CODE	Z112 Z090 Z030 ETC. (CONTACT SALES STAFF IF A Z-CODE IS REQUIRED FOR A CUSTOM CONFIGURATION/OPTION(S). OMIT FOR NONE)						

TOPFLITE PROTECTIVE COVER TFMNR & TFMNP

TFMNP PLUG CAP



TFMNR RECEPTACLE CAP



DIMENSIONS	
SIZE	DIM A
01	0.25
02	0.30
03	0.35
04	0.40
05	0.45
06	0.50
07	0.55
08	0.60
09	0.65
10	0.70

DIMENSIONS	
SIZE	DIM A
11	0.75
12	0.80
13	0.85
14	0.90
15	0.95
16	1.00
17	1.05
18	1.10
19	1.15
20	1.20

DIMENSIONS	
SIZE	DIM A
21	1.25
22	1.30
23	1.35
24	1.40
25	1.45
26	1.50
27	1.55
28	1.60
29	1.65
30	1.70

DIMENSIONS	
SIZE	DIM A
31	1.75
32	1.80
33	1.85
34	1.90
35	1.95
36	2.00
37	2.05
38	2.10
39	2.15
40	2.20

PART NUMBER BREAKDOWN							
EXAMPLE PART NUMBER	TFMNR-	13	NE-	35	R-	02	-ZXXX
BASIC PART NUMBER	TFMNP- RUBBER CAP (For Plugs) TFMNR- RUBBER CAP (For Receptacles)						
SHELL SIZE	8, 9, 10, 11, ETC.						
MATERIAL/ FINISH	NE - NEOPRENE CAP MATERIAL SL - SILICONE CAP MATERIAL VT - VITON CAP MATERIAL BN - BUNA-N (NITRILE) CAP MATERIAL (BLACK COLOR IS STANDARD)						
LENGTH	1/2 INCH INCREMENTS (EX. 35 IS 3.5 INCHES)						
ACCESSORY	(SEE PAGE 8) (NOTE: MOST COMMON IS BLACK NYLON ROPE)						
EYELET OR RING SIZE	(SEE PAGE 8)						
Z-CODE	Z112 Z090 Z030 ETC. (CONTACT SALES STAFF IF A Z-CODE IS REQUIRED FOR A CUSTOM CONFIRGURATION/OPTION(S). OMIT FOR NONE)						