

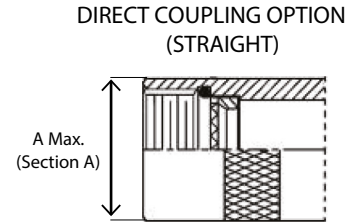
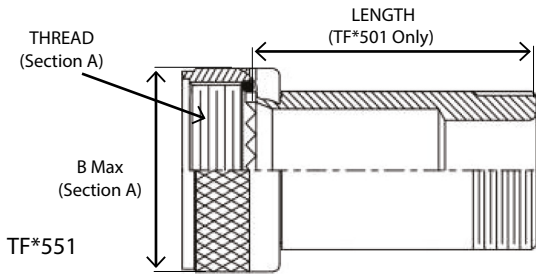


EMI/RFI NON-ENVIRONMENTAL BACKSHELLS

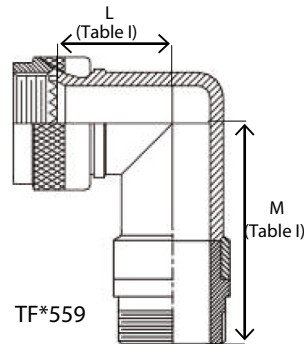
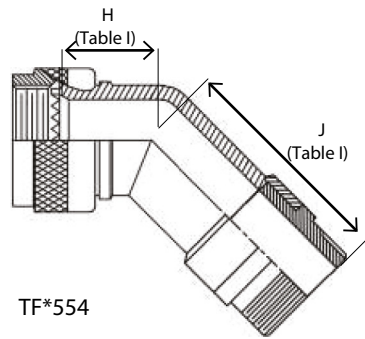
Electromagnetic interference (EMI) and radio frequency interference (RFI) generate interference. When strong external noise fields exist, the conductors of a cable act as antennas and pick up the radiated signals. The reception of this interference results in inaccurate or interrupted data transmission. An effective shield prevents the reception of undesired signals as well as confining extraneous signals generated within the cable itself. EMI/RFI backshells enclose the cable in a tightly woven metal braid comprised of wire strands which is then terminated at one or both ends of the cable to ground potential. The termination and grounding of the shield is accomplished by using a suitable connector backshell. A variety of backshell configurations are available for termination of cable shielding.

SERIES	DESCRIPTION	PAGE
55	STRAIN RELIEF TERMINATION EMI/RFI NON-ENVIRONMENTAL BACKSHELL	86
70	OUTER SHIELD TERMINATION EMI/RFI NON-ENVIRONMENTAL BACKSHELL	88
71	HEAVY DUTY OUTER SHIELD TERMINATION EMI/RFI NON-ENVIRONMENTAL BACKSHELL	90
72	LIGHT DUTY OUTER SHIELD TERMINATION EMI/RFI NON-ENVIRONMENTAL BACKSHELL	92
74	INNER OR OUTER SHIELD TERMINATION EMI/RFI NON-ENVIRONMENTAL BACKSHELL	94
75	INNER AND OUTER SHIELD TERMINATION EMI/RFI NON-ENVIRONMENTAL BACKSHELL	96
76	INNER AND OUTER SHIELD TERMINATION EMI/RFI NON-ENVIRONMENTAL BACKSHELL	98
77	INNER OR OUTER SHIELD TERMINATION EMI/RFI NON-ENVIRONMENTAL BACKSHELL	100

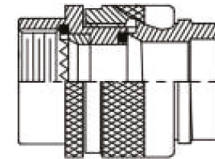
NON-ENVIRONMENTAL BACKSHELL TF*551, TF*553, TF*554, TF*558, TF*559 WITH STRAIN RELIEF—STANDARD PROFILE



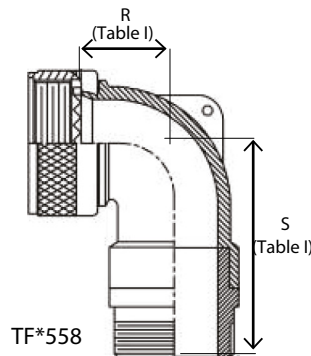
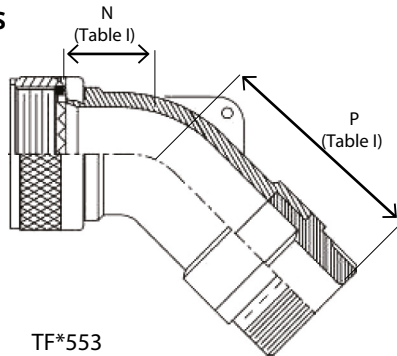
STANDARD PROFILE



DIRECT COUPLING OPTION (45° AND 90°)



FULL-RADIUS PROFILE



DIRECT COUPLING OPTION (45° AND 90°)

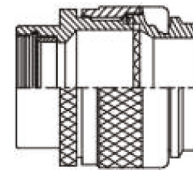


TABLE I
DIMENSIONAL CHART – 45 AND 90 DEGREE ADAPTERS

SHELL SIZE	H MAX	J MAX	L MAX	M MAX	N MAX	P MAX	R MAX	S MAX
8, 9 (A)	.795 (20.2)	1.390 (35.3)	.906 (23.0)	1.500 (38.1)	.457 (11.6)	1.622 (41.2)	.500 (12.7)	1.632 (41.5)
10, 11 (B)	.820 (20.8)	1.420 (36.1)	.966 (24.5)	1.560 (39.6)	.520 (13.2)	1.682 (42.7)	.595 (15.1)	1.752 (44.5)
12, 13 (C)	.844 (21.4)	1.440 (36.6)	1.026 (26.1)	1.620 (41.1)	.582 (14.8)	1.742 (44.2)	.610 (15.5)	1.772 (45.0)
14, 15 (D)	.861 (21.9)	1.470 (37.3)	1.076 (27.3)	1.690 (42.9)	.645 (16.4)	2.062 (52.4)	.700 (17.8)	2.072 (52.6)
16, 17 (E)	.888 (22.6)	1.490 (37.8)	1.136 (28.9)	1.750 (44.5)	.738 (18.7)	2.172 (55.2)	.885 (22.5)	2.162 (54.9)
18, 19 (F)	.904 (23.0)	1.500 (38.1)	1.176 (29.9)	1.770 (45.0)	.926 (23.5)	2.362 (60.0)	.975 (24.8)	2.332 (59.2)
20, 21 (G)	.929 (23.6)	1.520 (38.6)	1.236 (31.4)	1.830 (46.5)	.926 (23.5)	2.362 (60.0)	.975 (24.8)	2.332 (59.2)
22, 23 (H)	.956 (24.3)	1.560 (39.6)	1.296 (32.9)	1.910 (48.5)	1.020 (25.9)	2.512 (63.8)	1.125 (28.6)	2.442 (62.0)
24, 25 (J)	.979 (24.9)	1.590 (40.4)	1.356 (34.4)	1.980 (50.3)	1.020 (25.9)	2.512 (63.8)	1.125 (28.6)	2.442 (62.0)

Notes

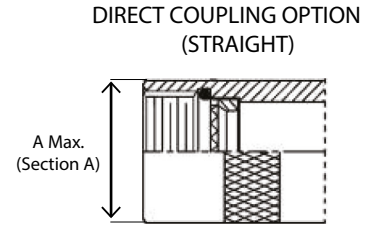
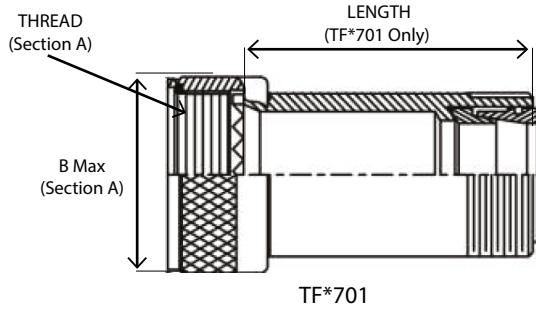
1. This table specifies standard dimensions for TopFlite's adapters. If the customer requires dimensions that vary from provided catalog dimensions, please contact your TopFlite sales representative.
2. For additional shell size dimensions, such as those for TopFlite's Micro Miniature (M&M Connector™) Series, please contact the factory for the appropriate engineering drawing.

PART NUMBER BREAKDOWN												
EXAMPLE PART NUMBER	TF	A	55	1	F	2	-08	03	-6	-A	-ZXXX	
STANDARD PREFIX												
CONNECTOR INTERFACE	A - MIL-DTL-5015, MIL-DTL-26482 SERIES II, MIL-DTL-83723 SERIES III B - MIL-DTL-26482 SERIES I C - MIL-DTL-38999 SERIES I & II D - MIL-DTL-38999 SERIES III & IV (PLEASE REFER TO PAGE 3 FOR ADDITIONAL INTERFACE CODES)											
SERIES	55											
ANGLE	1 - STRAIGHT 4 - 45 DEGREE 9 - 90 DEGREE 3 - 45 DEGREE, FULL RADIUS/SWEEPING 8 - 90 DEGREE, FULL RADIUS/SWEEPING											
MATERIAL/ FINISH	F - ALUMINUM W/ ELECTROLESS NICKEL Z - ALUMINUM W/ BLACK ZINC NICKEL A - ALUMINUM W/ BLACK ANODIZE D - ALUMINUM W/ OLIVE DRAB CADMIUM T - ALUMINUM W/ NICKEL TEFLON/PTFE K - STAINLESS W/ PASSIVATION TREATMENT (SEE PAGE 4 FOR MATERIAL AND FINISH SPECIFICATIONS & ADDITIONAL FINISHES)											
COUPLING TYPE	1 - DIRECT COUPLING 2 - SELF-LOCKING COUPLING 3 - RATCHETING COUPLING 4 - ANTI-DECOUPLING VIA WAVE SPRING											
SHELL SIZE	08 11 15 ETC.											
CABLE ENTRY	03 34 ETC. (SEE CABLE ENTRY CHART PAGE 3)											
LENGTH	1/4 INCREMENTS, FOR EXAMPLE: 3 = 0.75", 7 = 1.75", ETC. (OMIT FOR STANDARD 1.5 INCH LENGTH) (STRAIGHT ONLY)											
STRAIN RELIEF OPTION	R (SEE OPTIONS PAGE 8. OMIT FOR NONE)											
Z-CODE	Z112 Z090 Z030 ETC. (CONTACT SALES STAFF IF A Z-CODE IS REQUIRED FOR A CUSTOM CONFIGURATION/OPTION(S). OMIT FOR NONE)											

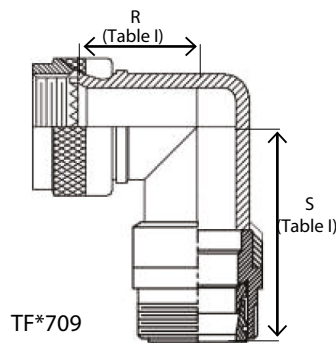
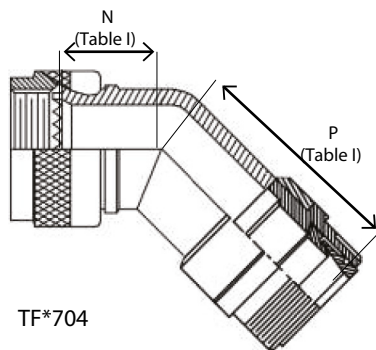
Disclaimer

All information in this catalog is believed to be reliable. Readers should independently evaluate each product to confirm suitability with their specific application. Topflite components makes no warranties as to the accuracy or completeness of the information and disclaim any liability regarding its use. Specifications are subject to change without notice. Topflite components processes or materials that do not affect compliance with any applicable specification are subject to change without notice.

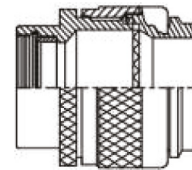
EMI/RFI NON-ENVIRONMENTAL BACKSHELL TF*701, TF*703, TF*704, TF*708, TF*709 OUTER SHIELD TERMINATION



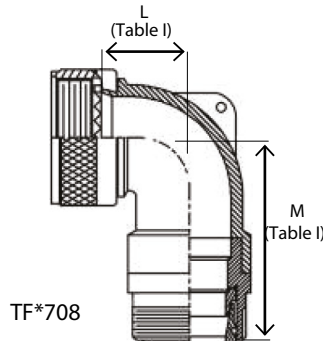
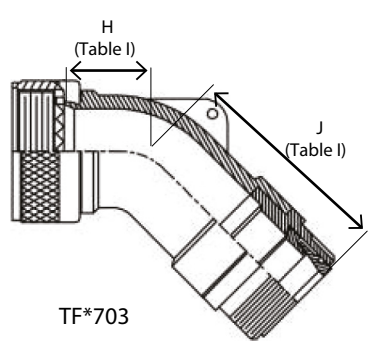
STANDARD PROFILE



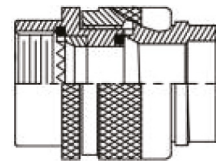
DIRECT COUPLING OPTION (45° AND 90°)



FULL-RADIUS PROFILE



DIRECT COUPLING OPTION (45° AND 90°)



**TABLE I
DIMENSIONAL CHART - 45 AND 90 DEGREE ADAPTERS**

SHELL SIZE	H MAX	J MAX	L MAX	M MAX	N MAX	P MAX	R MAX	S MAX
8, 9 (A)	.457 (11.6)	1.602 (40.7)	.500 (12.7)	1.612 (40.9)	.639 (16.2)	1.602 (40.7)	.750 (19.1)	1.612 (40.9)
10, 11 (B)	.520 (13.2)	1.662 (42.2)	.595 (15.1)	1.732 (44.0)	.664 (16.9)	1.662 (42.2)	.810 (20.6)	1.732 (44.0)
12, 13 (C)	.582 (14.8)	1.722 (43.7)	.610 (15.5)	1.752 (44.5)	.688 (17.5)	1.722 (43.7)	.870 (22.1)	1.752 (44.5)
14, 15 (D)	.645 (16.4)	2.062 (52.4)	.700 (17.8)	2.072 (52.6)	.705 (17.9)	2.062 (52.4)	.920 (23.4)	2.072 (52.6)
16, 17 (E)	.738 (18.7)	2.172 (55.2)	.885 (22.5)	2.162 (54.9)	.732 (18.6)	2.172 (55.2)	.980 (24.9)	2.162 (54.9)
18, 19 (F)	.926 (23.5)	2.362 (60.0)	.975 (24.8)	2.332 (59.2)	.748 (19.0)	2.362 (60.0)	1.020 (25.9)	2.332 (59.2)
20, 21 (G)	.926 (23.5)	2.362 (60.0)	.975 (24.8)	2.332 (59.2)	.773 (19.6)	2.362 (60.0)	1.080 (27.4)	2.332 (59.2)
22, 23 (H)	1.020 (25.9)	2.512 (63.8)	1.125 (28.6)	2.442 (62.0)	.800 (20.3)	2.512 (63.8)	1.140 (29.0)	2.442 (62.0)
24, 25 (J)	1.020 (25.9)	2.512 (63.8)	1.125 (28.6)	2.442 (62.0)	.823 (20.9)	2.512 (63.8)	1.200 (30.5)	2.442 (62.0)

Notes

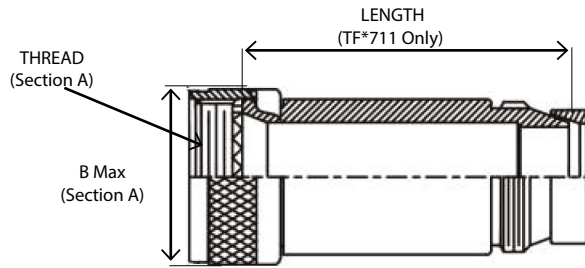
1. This table specifies standard dimensions for TopFlite's adapters. If the customer requires dimensions that vary from provided catalog dimensions, please contact your TopFlite sales representative.
2. For additional shell size dimensions, such as those for TopFlite's Micro Miniature (M&M Connector™) Series, please contact the factory for the appropriate engineering drawing.

PART NUMBER BREAKDOWN												
EXAMPLE PART NUMBER	TF	A	70	1	F	2	-08	03	-6	-A	-ZXXX	
STANDARD PREFIX												
CONNECTOR INTERFACE	A - MIL-DTL-5015, MIL-DTL-26482 SERIES II, MIL-DTL-83723 SERIES III B - MIL-DTL-26482 SERIES I C - MIL-DTL-38999 SERIES I & II D - MIL-DTL-38999 SERIES III & IV (PLEASE REFER TO PAGE 3 FOR ADDITIONAL INTERFACE CODES)											
SERIES	70											
ANGLE	1 - STRAIGHT 4 - 45 DEGREE 9 - 90 DEGREE 3 - 45 DEGREE, FULL RADIUS/SWEEPING 8 - 90 DEGREE, FULL RADIUS/SWEEPING											
MATERIAL/ FINISH	F - ALUMINUM W/ ELECTROLESS NICKEL Z - ALUMINUM W/ BLACK ZINC NICKEL A - ALUMINUM W/ BLACK ANODIZE D - ALUMINUM W/ OLIVE DRAB CADMIUM T - ALUMINUM W/ NICKEL TEFLON/PTFE K - STAINLESS W/ PASSIVATION TREATMENT (SEE PAGE 4 FOR MATERIAL AND FINISH SPECIFICATIONS & ADDITIONAL FINISHES)											
COUPLING TYPE	1 - DIRECT COUPLING 2 - SELF-LOCKING COUPLING 3 - RATCHETING COUPLING 4 - ANTI-DECOUPLING VIA WAVE SPRING											
SHELL SIZE	08 11 15 ETC.											
CABLE ENTRY	03 34 ETC. (SEE CABLE ENTRY CHART PAGE 3)											
LENGTH	1/4 INCREMENTS, FOR EXAMPLE: 3 = 0.75", 7 = 1.75", ETC. (OMIT FOR STANDARD 1.5 INCH LENGTH) (STRAIGHT ONLY)											
STRAIN RELIEF OPTION	R (SEE OPTIONS PAGE 8. OMIT FOR NONE)											
Z-CODE	Z112 Z090 Z030 ETC. (CONTACT SALES STAFF IF A Z-CODE IS REQUIRED FOR A CUSTOM CONFIGURATION/OPTION(S). OMIT FOR NONE)											

Disclaimer

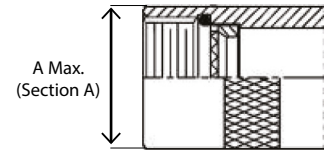
All information in this catalog is believed to be reliable. Readers should independently evaluate each product to confirm suitability with their specific application. Topflite components makes no warranties as to the accuracy or completeness of the information and disclaim any liability regarding its use. Specifications are subject to change without notice. Topflite components processes or materials that do not affect compliance with any applicable specification are subject to change without notice.

EMI/RFI NON-ENVIRONMENTAL BACKSHELL TF*711, TF*713, TF*714, TF*718, TF*719 OUTER SHIELD TERMINATION (HEAVY DUTY)

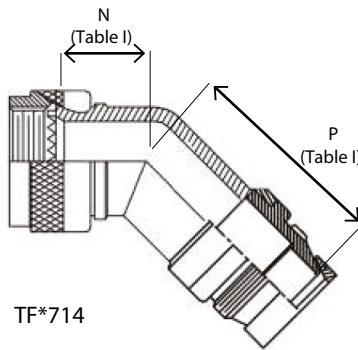


TF*711

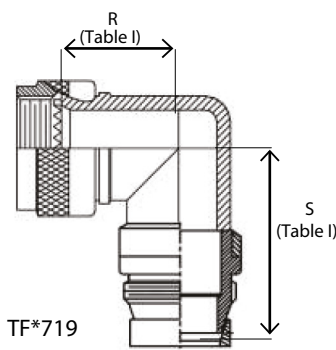
DIRECT COUPLING OPTION
(STRAIGHT)



STANDARD
PROFILE

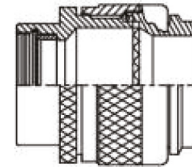


TF*714

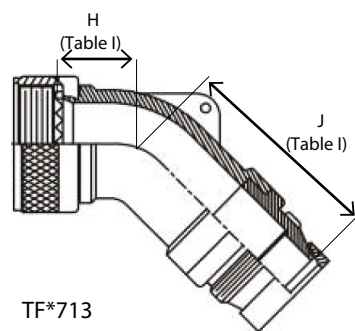


TF*719

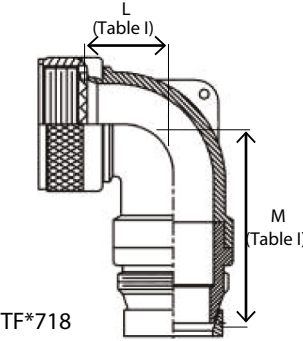
DIRECT COUPLING OPTION
(45° AND 90°)



FULL-RADIUS
PROFILE



TF*713



TF*718

DIRECT COUPLING OPTION
(45° AND 90°)

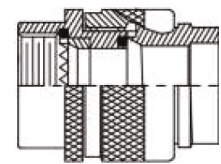


TABLE I

SHELL SIZE	H MAX	J MAX	L MAX	M MAX	N MAX	P MAX	R MAX	S MAX
8, 9 (A)	.457 (11.6)	1.848 (46.9)	.500 (12.7)	1.858 (47.2)	.639 (16.2)	1.848 (46.9)	.750 (19.1)	1.858 (47.2)
10, 11 (B)	.520 (13.2)	1.908 (48.5)	.595 (15.1)	1.978 (50.2)	.664 (16.9)	1.908 (48.5)	.810 (20.6)	1.978 (50.2)
12, 13 (C)	.582 (14.8)	1.968 (50.0)	.610 (15.5)	1.998 (50.7)	.688 (17.5)	1.968 (50.0)	.870 (22.1)	1.998 (50.7)
14, 15 (D)	.645 (16.4)	2.347 (59.6)	.700 (17.8)	2.357 (59.9)	.705 (17.9)	2.347 (59.6)	.920 (23.4)	2.357 (59.9)
16, 17 (E)	.738 (18.7)	2.457 (62.4)	.885 (22.5)	2.447 (62.2)	.732 (18.6)	2.457 (62.4)	.980 (24.9)	2.447 (62.2)
18, 19 (F)	.926 (23.5)	2.647 (67.2)	.975 (24.8)	2.617 (66.5)	.748 (19.0)	2.647 (67.2)	1.020 (25.9)	2.617 (66.5)
20, 21 (G)	.926 (23.5)	2.647 (67.2)	.975 (24.8)	2.617 (66.5)	.773 (19.6)	2.647 (67.2)	1.080 (27.4)	2.617 (66.5)
22, 23 (H)	1.020 (25.9)	2.922 (74.2)	1.125 (28.6)	2.852 (72.4)	.800 (20.3)	2.922 (74.2)	1.140 (29.0)	2.852 (72.4)
24, 25 (J)	1.020 (25.9)	2.922 (74.2)	1.125 (28.6)	2.852 (72.4)	.823 (20.9)	2.922 (74.2)	1.200 (30.5)	2.852 (72.4)

Notes

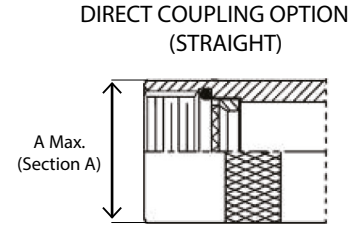
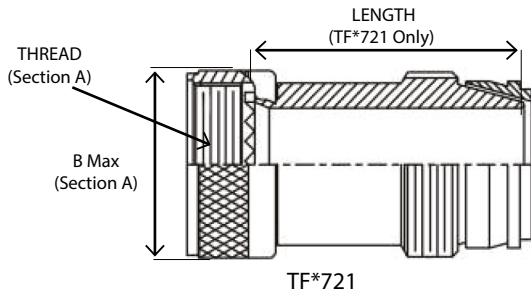
1. This table specifies standard dimensions for TopFlite's adapters. If the customer requires dimensions that vary from provided catalog dimensions, please contact your TopFlite sales representative.
2. For additional shell size dimensions, such as those for TopFlite's Micro Miniature (M&M Connector™) Series, please contact the factory for the appropriate engineering drawing.

PART NUMBER BREAKDOWN												
EXAMPLE PART NUMBER	TF	A	71	1	F	2	-08	03	-6	-A	-ZXXX	
STANDARD PREFIX												
CONNECTOR INTERFACE	A - MIL-DTL-5015, MIL-DTL-26482 SERIES II, MIL-DTL-83723 SERIES III B - MIL-DTL-26482 SERIES I C - MIL-DTL-38999 SERIES I & II D - MIL-DTL-38999 SERIES III & IV (PLEASE REFER TO PAGE 3 FOR ADDITIONAL INTERFACE CODES)											
SERIES	71											
ANGLE	1 - STRAIGHT 4 - 45 DEGREE 9 - 90 DEGREE 3 - 45 DEGREE, FULL RADIUS/SWEEPING 8 - 90 DEGREE, FULL RADIUS/SWEEPING											
MATERIAL/ FINISH	F - ALUMINUM W/ ELECTROLESS NICKEL Z - ALUMINUM W/ BLACK ZINC NICKEL A - ALUMINUM W/ BLACK ANODIZE D - ALUMINUM W/ OLIVE DRAB CADMIUM T - ALUMINUM W/ NICKEL TEFLON/PTFE K - STAINLESS W/ PASSIVATION TREATMENT (SEE PAGE 4 FOR MATERIAL AND FINISH SPECIFICATIONS & ADDITIONAL FINISHES)											
COUPLING TYPE	1 - DIRECT COUPLING 2 - SELF-LOCKING COUPLING 3 - RATCHETING COUPLING 4 - ANTI-DECOUPLING VIA WAVE SPRING											
SHELL SIZE	08 11 15 ETC.											
CABLE ENTRY	03 34 ETC. (SEE CABLE ENTRY CHART PAGE 3)											
LENGTH	1/4 INCREMENTS, FOR EXAMPLE: 3 = 0.75", 7 = 1.75", ETC. (OMIT FOR STANDARD 1.5 INCH LENGTH) (STRAIGHT ONLY)											
STRAIN RELIEF OPTION	R (SEE OPTIONS PAGE 8. OMIT FOR NONE)											
Z-CODE	Z112 Z090 Z030 ETC. (CONTACT SALES STAFF IF A Z-CODE IS REQUIRED FOR A CUSTOM CONFIGURATION/OPTION(S). OMIT FOR NONE)											

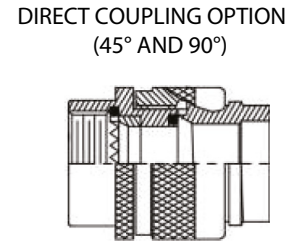
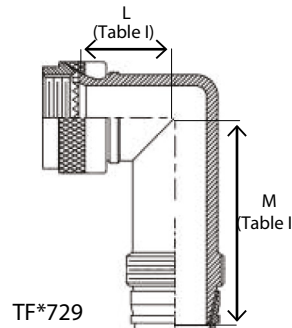
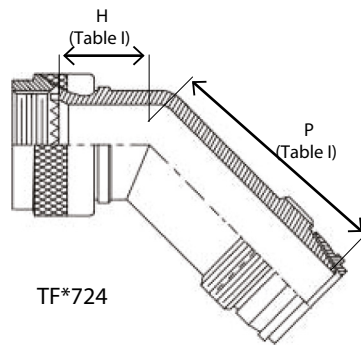
Disclaimer

All information in this catalog is believed to be reliable. Readers should independently evaluate each product to confirm suitability with their specific application. Topflite components makes no warranties as to the accuracy or completeness of the information and disclaim any liability regarding its use. Specifications are subject to change without notice. Topflite components processes or materials that do not affect compliance with any applicable specification are subject to change without notice.

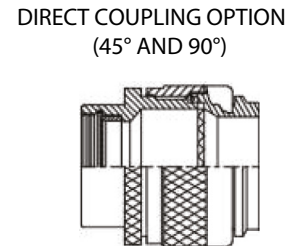
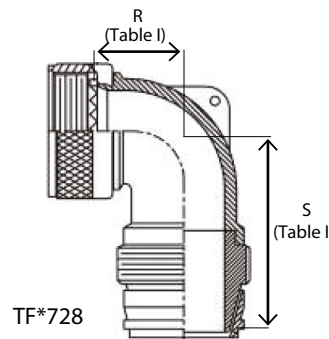
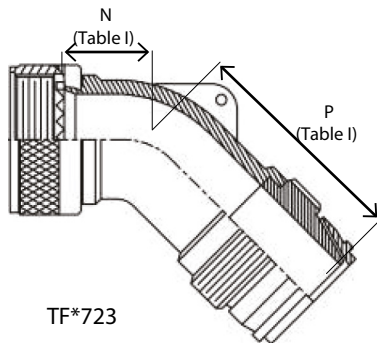
EMI/RFI NON-ENVIRONMENTAL BACKSHELL TF*721, TF*723, TF*724, TF*728, TF*729 OUTER SHIELD TERMINATION (LIGHT DUTY)



STANDARD PROFILE



FULL-RADIUS PROFILE



**TABLE I
DIMENSIONAL CHART - 45 AND 90 DEGREE ADAPTERS**

SHELL SIZE	H MAX	J MAX	L MAX	M MAX	N MAX	P MAX	R MAX	S MAX
8, 9 (A)	.639 (16.2)	1.100 (27.9)	.750 (19.1)	1.210 (30.7)	.457 (11.6)	1.680 (42.7)	.500 (12.7)	1.781 (45.2)
10, 11 (B)	.664 (16.9)	1.130 (28.7)	.810 (20.6)	1.270 (32.3)	.520 (13.2)	1.740 (44.2)	.595 (15.1)	1.901 (48.3)
12, 13 (C)	.688 (17.5)	1.150 (29.2)	.870 (22.1)	1.330 (33.8)	.582 (14.8)	1.800 (45.7)	.610 (15.5)	1.921 (48.8)
14, 15 (D)	.705 (17.9)	1.180 (30.0)	.920 (23.4)	1.400 (35.6)	.645 (16.4)	1.890 (48.0)	.700 (17.8)	1.991 (50.6)
16, 17 (E)	.732 (18.6)	1.200 (30.5)	.980 (24.9)	1.460 (37.1)	.738 (18.7)	2.000 (50.8)	.885 (22.5)	2.081 (52.9)
18, 19 (F)	.748 (19.0)	1.210 (30.7)	1.020 (25.9)	1.480 (37.6)	.926 (23.5)	2.190 (55.6)	.975 (24.8)	2.251 (57.2)
20, 21 (G)	.773 (19.6)	1.230 (31.2)	1.080 (27.4)	1.540 (39.1)	.926 (23.5)	2.190 (55.6)	.975 (24.8)	2.251 (57.2)
22, 23 (H)	.800 (20.3)	1.270 (32.3)	1.140 (29.0)	1.620 (41.1)	1.020 (25.9)	2.340 (59.4)	1.125 (28.6)	2.361 (60.0)
24, 25 (J)	.823 (20.9)	1.300 (33.0)	1.200 (30.5)	1.690 (42.9)	1.020 (25.9)	2.340 (59.4)	1.125 (28.6)	2.361 (60.0)

Notes

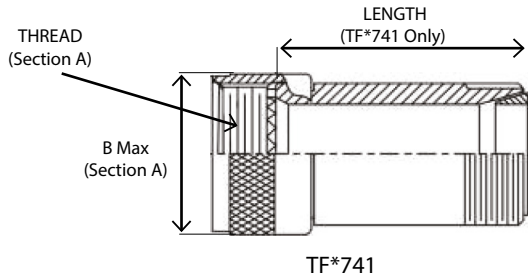
1. This table specifies standard dimensions for TopFlite's adapters. If the customer requires dimensions that vary from provided catalog dimensions, please contact your TopFlite sales representative.
2. For additional shell size dimensions, such as those for TopFlite's Micro Miniature (M&M Connector™) Series, please contact the factory for the appropriate engineering drawing.

PART NUMBER BREAKDOWN												
EXAMPLE PART NUMBER	TF	A	72	1	F	2	-08	03	-6	-A	-ZXXX	
STANDARD PREFIX												
CONNECTOR INTERFACE	A - MIL-DTL-5015, MIL-DTL-26482 SERIES II, MIL-DTL-83723 SERIES III B - MIL-DTL-26482 SERIES I C - MIL-DTL-38999 SERIES I & II D - MIL-DTL-38999 SERIES III & IV (PLEASE REFER TO PAGE 3 FOR ADDITIONAL INTERFACE CODES)											
SERIES	72											
ANGLE	1 - STRAIGHT 4 - 45 DEGREE 9 - 90 DEGREE 3 - 45 DEGREE, FULL RADIUS/SWEEPING 8 - 90 DEGREE, FULL RADIUS/SWEEPING											
MATERIAL/ FINISH	F - ALUMINUM W/ ELECTROLESS NICKEL Z - ALUMINUM W/ BLACK ZINC NICKEL A - ALUMINUM W/ BLACK ANODIZE D - ALUMINUM W/ OLIVE DRAB CADMIUM T - ALUMINUM W/ NICKEL TEFLON/PTFE K - STAINLESS W/ PASSIVATION TREATMENT (SEE PAGE 4 FOR MATERIAL AND FINISH SPECIFICATIONS & ADDITIONAL FINISHES)											
COUPLING TYPE	1 - DIRECT COUPLING 2 - SELF-LOCKING COUPLING 3 - RATCHETING COUPLING 4 - ANTI-DECOUPLING VIA WAVE SPRING											
SHELL SIZE	08 11 15 ETC.											
CABLE ENTRY	03 34 ETC. (SEE CABLE ENTRY CHART PAGE 3)											
LENGTH	1/4 INCREMENTS, FOR EXAMPLE: 3 = 0.75", 7 = 1.75", ETC. (OMIT FOR STANDARD 1.5 INCH LENGTH) (STRAIGHT ONLY)											
STRAIN RELIEF OPTION	R (SEE OPTIONS PAGE 8. OMIT FOR NONE)											
Z-CODE	Z112 Z090 Z030 ETC. (CONTACT SALES STAFF IF A Z-CODE IS REQUIRED FOR A CUSTOM CONFIGURATION/OPTION(S). OMIT FOR NONE)											

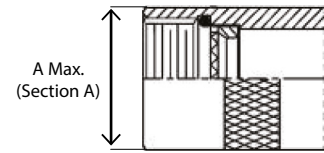
Disclaimer

All information in this catalog is believed to be reliable. Readers should independently evaluate each product to confirm suitability with their specific application. Topflite components makes no warranties as to the accuracy or completeness of the information and disclaim any liability regarding its use. Specifications are subject to change without notice. Topflite components processes or materials that do not affect compliance with any applicable specification are subject to change without notice.

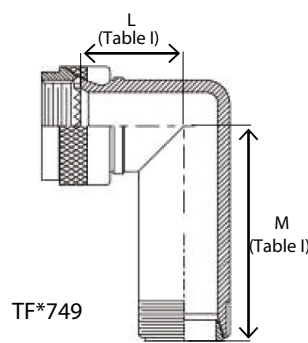
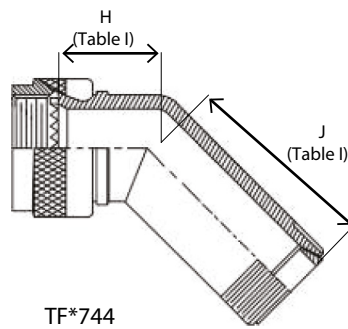
EMI/RFI NON-ENVIRONMENTAL BACKSHELL TF*741, TF*743, TF*744, TF*748, TF*749 INNER 74 OR OUTER SHIELD TERMINATION



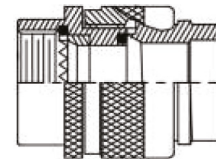
DIRECT COUPLING OPTION
(STRAIGHT)



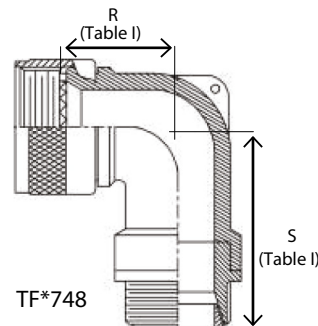
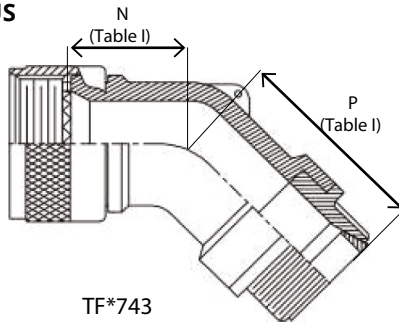
STANDARD
PROFILE



DIRECT COUPLING OPTION
(45° AND 90°)



FULL-RADIUS
PROFILE



DIRECT COUPLING OPTION
(45° AND 90°)

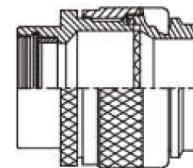


TABLE I
DIMENSIONAL CHART - 45 AND 90 DEGREE ADAPTERS

SHELL SIZE	H MAX	J MAX	L MAX	M MAX	N MAX	P MAX	R MAX	S MAX
8, 9 (A)	.639 (16.2)	.940 (23.9)	.750 (19.1)	1.050 (26.7)	.457 (11.6)	1.730 (43.9)	.560 (14.2)	1.680 (42.7)
10, 11 (B)	.664 (16.9)	.970 (24.6)	.810 (20.6)	1.110 (28.2)	.520 (13.2)	1.730 (43.9)	.660 (16.8)	1.800 (45.7)
12, 13 (C)	.688 (17.5)	.990 (25.1)	.870 (22.1)	1.170 (29.7)	.582 (14.8)	1.790 (45.5)	.670 (17.0)	1.820 (46.2)
14, 15 (D)	.705 (17.9)	1.020 (25.9)	.920 (23.4)	1.240 (31.5)	.645 (16.4)	1.880 (47.8)	.760 (19.3)	1.890 (48.0)
16, 17 (E)	.732 (18.6)	1.040 (26.4)	.980 (24.9)	1.300 (33.0)	.738 (18.7)	1.990 (50.5)	.950 (24.1)	1.980 (50.3)
18, 19 (F)	.748 (19.0)	1.050 (26.7)	1.020 (25.9)	1.320 (33.5)	.926 (23.5)	2.180 (55.4)	1.030 (26.2)	2.150 (54.6)
20, 21 (G)	.773 (19.6)	1.070 (27.2)	1.080 (27.4)	1.380 (35.1)	.926 (23.5)	2.180 (55.4)	1.030 (26.2)	2.150 (54.6)
22, 23 (H)	.800 (20.3)	1.110 (28.2)	1.140 (29.0)	1.460 (37.1)	1.020 (25.9)	2.330 (59.2)	1.180 (30.0)	2.260 (57.4)
24, 25 (J)	.823 (20.9)	1.140 (29.0)	1.200 (30.5)	1.530 (38.9)	1.020 (25.9)	2.330 (59.2)	1.180 (30.0)	2.260 (57.4)

Notes

1. This table specifies standard dimensions for TopFlite's adapters. If the customer requires dimensions that vary from provided catalog dimensions, please contact your TopFlite sales representative.
2. For additional shell size dimensions, such as those for TopFlite's Micro Miniature (M&M Connector™) Series, please contact the factory for the appropriate engineering drawing.

PART NUMBER BREAKDOWN												
EXAMPLE PART NUMBER	TF	A	74	1	F	2	-08	03	-6	-A	-ZXXX	
STANDARD PREFIX												
CONNECTOR INTERFACE	A - MIL-DTL-5015, MIL-DTL-26482 SERIES II, MIL-DTL-83723 SERIES III B - MIL-DTL-26482 SERIES I C - MIL-DTL-38999 SERIES I & II D - MIL-DTL-38999 SERIES III & IV (PLEASE REFER TO PAGE 3 FOR ADDITIONAL INTERFACE CODES)											
SERIES	74											
ANGLE	1 - STRAIGHT 4 - 45 DEGREE 9 - 90 DEGREE 3 - 45 DEGREE, FULL RADIUS/SWEEPING 8 - 90 DEGREE, FULL RADIUS/SWEEPING											
MATERIAL/ FINISH	F - ALUMINUM W/ ELECTROLESS NICKEL Z - ALUMINUM W/ BLACK ZINC NICKEL A - ALUMINUM W/ BLACK ANODIZE D - ALUMINUM W/ OLIVE DRAB CADMIUM T - ALUMINUM W/ NICKEL TEFLON/PTFE K - STAINLESS W/ PASSIVATION TREATMENT (SEE PAGE 4 FOR MATERIAL AND FINISH SPECIFICATIONS & ADDITIONAL FINISHES)											
COUPLING TYPE	1 - DIRECT COUPLING 2 - SELF-LOCKING COUPLING 3 - RATCHETING COUPLING 4 - ANTI-DECOUPLING VIA WAVE SPRING											
SHELL SIZE	08 11 15 ETC.											
CABLE ENTRY	03 34 ETC. (SEE CABLE ENTRY CHART PAGE 3)											
LENGTH	1/4 INCREMENTS, FOR EXAMPLE: 3 = 0.75", 7 = 1.75", ETC. (OMIT FOR STANDARD 1.5 INCH LENGTH) (STRAIGHT ONLY)											
STRAIN RELIEF OPTION	R (SEE OPTIONS PAGE 8. OMIT FOR NONE)											
Z-CODE	Z112 Z090 Z030 ETC. (CONTACT SALES STAFF IF A Z-CODE IS REQUIRED FOR A CUSTOM CONFIGURATION/OPTION(S). OMIT FOR NONE)											

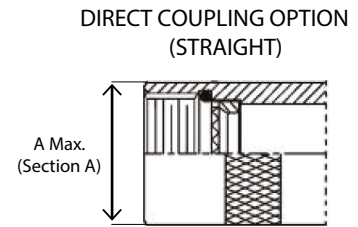
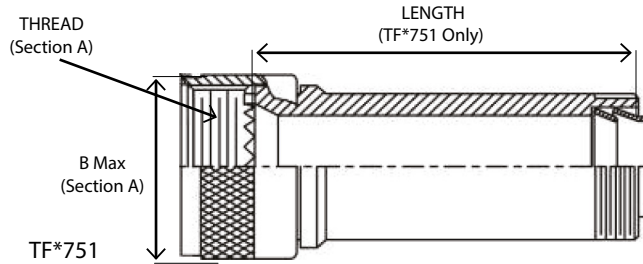
Disclaimer

All information in this catalog is believed to be reliable. Readers should independently evaluate each product to confirm suitability with their specific application. Topflite components makes no warranties as to the accuracy or completeness of the information and disclaim any liability regarding its use. Specifications are subject to change without notice. Topflite components processes or materials that do not affect compliance with any applicable specification are subject to change without notice.

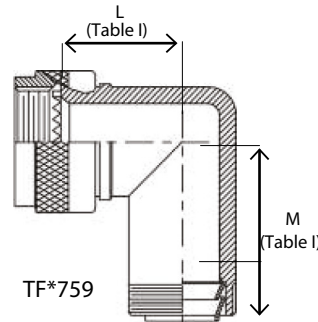
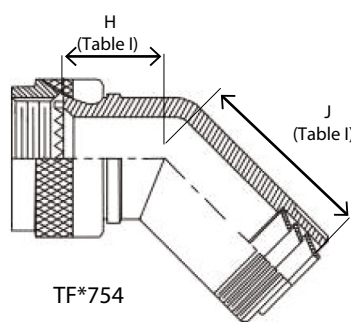
EMI/RFI NON-ENVIRONMENTAL BACKSHELL

TF*751, TF*753, TF*754, TF*758, TF*759

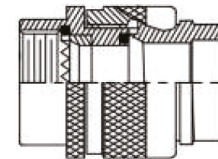
INNER AND OUTER SHIELD TERMINATION (2 OR 3 RINGS)



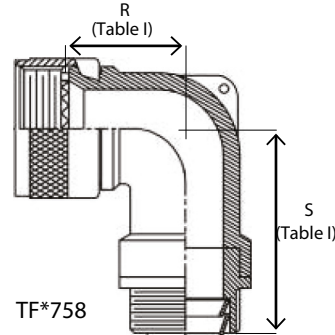
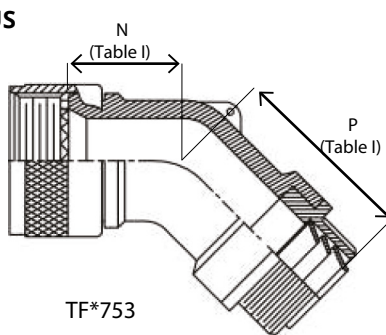
STANDARD PROFILE



DIRECT COUPLING OPTION (45° AND 90°)



FULL-RADIUS PROFILE



DIRECT COUPLING OPTION (45° AND 90°)

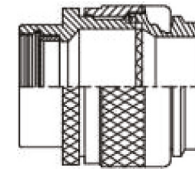


TABLE I
DIMENSIONAL CHART - 45 AND 90 DEGREE ADAPTERS

SHELL SIZE	H MAX	J MAX	L MAX	M MAX	N MAX	P MAX	R MAX	S MAX
8, 9 (A)	.639 (16.2)	.950 (24.1)	.750 (19.1)	1.060 (26.9)	.457 (11.6)	1.470 (37.3)	.500 (12.7)	1.480 (37.6)
10, 11 (B)	.664 (16.9)	.980 (24.9)	.810 (20.6)	1.120 (28.4)	.520 (13.2)	1.530 (38.9)	.595 (15.1)	1.600 (40.6)
12, 13 (C)	.688 (17.5)	1.000 (25.4)	.870 (22.1)	1.180 (30.0)	.582 (14.8)	1.590 (40.4)	.610 (15.5)	1.620 (41.1)
14, 15 (D)	.705 (17.9)	1.030 (26.2)	.920 (23.4)	1.250 (31.8)	.645 (16.4)	1.680 (42.7)	.700 (17.8)	1.690 (42.9)
16, 17 (E)	.732 (18.6)	1.050 (26.7)	.980 (24.9)	1.310 (33.3)	.738 (18.7)	1.790 (45.5)	.885 (22.5)	1.950 (49.5)
18, 19 (F)	.748 (19.0)	1.060 (26.9)	1.020 (25.9)	1.330 (33.8)	.926 (23.5)	1.980 (50.3)	.975 (24.8)	2.060 (52.3)
20, 21 (G)	.773 (19.6)	1.080 (27.4)	1.080 (27.4)	1.390 (35.3)	.926 (23.5)	1.980 (50.3)	.975 (24.8)	2.060 (52.3)
22, 23 (H)	.800 (20.3)	1.120 (28.4)	1.140 (29.0)	1.470 (37.3)	1.020 (25.9)	2.130 (54.1)	1.125 (28.6)	2.060 (52.3)
24, 25 (J)	.823 (20.9)	1.150 (29.2)	1.200 (30.5)	1.540 (39.1)	1.020 (25.9)	2.130 (54.1)	1.125 (28.6)	2.060 (52.3)

Notes

1. This table specifies standard dimensions for TopFlite's adapters. If the customer requires dimensions that vary from provided catalog dimensions, please contact your TopFlite sales representative.
2. For additional shell size dimensions, such as those for TopFlite's Micro Miniature (M&M Connector™) Series, please contact the factory for the appropriate engineering drawing.

PART NUMBER BREAKDOWN												
EXAMPLE PART NUMBER	TF	A	75	1	F	2	-08	03	-6	-A	-ZXXX	
STANDARD PREFIX												
CONNECTOR INTERFACE	A - MIL-DTL-5015, MIL-DTL-26482 SERIES II, MIL-DTL-83723 SERIES III B - MIL-DTL-26482 SERIES I C - MIL-DTL-38999 SERIES I & II D - MIL-DTL-38999 SERIES III & IV (PLEASE REFER TO PAGE 3 FOR ADDITIONAL INTERFACE CODES)											
SERIES	75											
ANGLE	1 - STRAIGHT 4 - 45 DEGREE 9 - 90 DEGREE 3 - 45 DEGREE, FULL RADIUS/SWEEPING 8 - 90 DEGREE, FULL RADIUS/SWEEPING											
MATERIAL/ FINISH	F - ALUMINUM W/ ELECTROLESS NICKEL Z - ALUMINUM W/ BLACK ZINC NICKEL A - ALUMINUM W/ BLACK ANODIZE D - ALUMINUM W/ OLIVE DRAB CADMIUM T - ALUMINUM W/ NICKEL TEFLON/PTFE K - STAINLESS W/ PASSIVATION TREATMENT (SEE PAGE 4 FOR MATERIAL AND FINISH SPECIFICATIONS & ADDITIONAL FINISHES)											
COUPLING TYPE	1 - DIRECT COUPLING 2 - SELF-LOCKING COUPLING 3 - RATCHETING COUPLING 4 - ANTI-DECOUPLING VIA WAVE SPRING											
SHELL SIZE	08 11 15 ETC.											
CABLE ENTRY	03 34 ETC. (SEE CABLE ENTRY CHART PAGE 3)											
LENGTH	1/4 INCREMENTS, FOR EXAMPLE: 3 = 0.75", 7 = 1.75", ETC. (OMIT FOR STANDARD 1.5 INCH LENGTH) (STRAIGHT ONLY)											
STRAIN RELIEF OPTION	R (SEE OPTIONS PAGE 8. OMIT FOR NONE)											
Z-CODE	Z112 Z090 Z030 ETC. (CONTACT SALES STAFF IF A Z-CODE IS REQUIRED FOR A CUSTOM CONFIGURATION/OPTION(S). OMIT FOR NONE)											

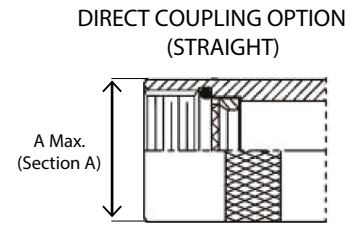
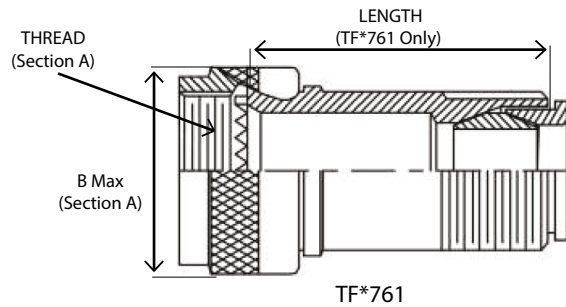
Disclaimer

All information in this catalog is believed to be reliable. Readers should independently evaluate each product to confirm suitability with their specific application. Topflite components makes no warranties as to the accuracy or completeness of the information and disclaim any liability regarding its use. Specifications are subject to change without notice. Topflite components processes or materials that do not affect compliance with any applicable specification are subject to change without notice.

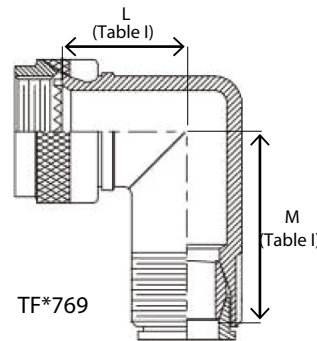
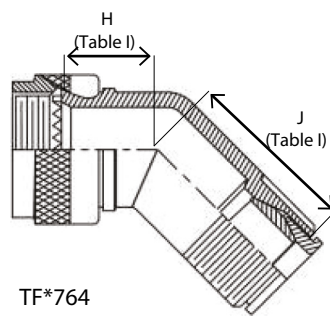
EMI/RFI NON-ENVIRONMENTAL BACKSHELL

TF*761, TF*763, TF*764, TF*768, TF*769

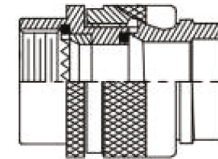
INNER AND OUTER SHIELD TERMINATION



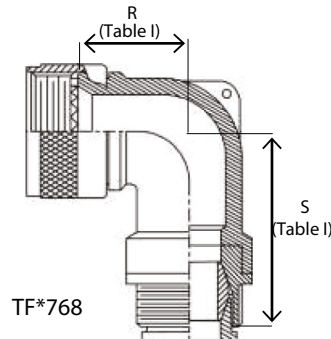
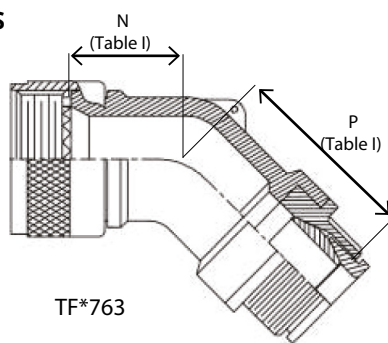
STANDARD PROFILE



DIRECT COUPLING OPTION (45° AND 90°)



FULL-RADIUS PROFILE



DIRECT COUPLING OPTION (45° AND 90°)

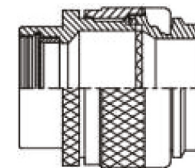


TABLE I
DIMENSIONAL CHART - 45 AND 90 DEGREE ADAPTERS

SHELL SIZE	H MAX	J MAX	L MAX	M MAX	N MAX	P MAX	R MAX	S MAX
8, 9 (A)	.639 (16.2)	1.015 (25.8)	.750 (19.1)	1.125 (28.6)	.457 (11.6)	1.602 (40.7)	.500 (12.7)	1.612 (40.9)
10, 11 (B)	.664 (16.9)	1.045 (26.5)	.810 (20.6)	1.185 (30.1)	.520 (13.2)	1.662 (42.2)	.595 (15.1)	1.732 (44.0)
12, 13 (C)	.688 (17.5)	1.065 (27.1)	.870 (22.1)	1.245 (31.6)	.582 (14.8)	1.722 (43.7)	.610 (15.5)	1.752 (44.5)
14, 15 (D)	.705 (17.9)	1.095 (27.8)	.920 (23.4)	1.315 (33.4)	.645 (16.4)	2.062 (52.4)	.700 (17.8)	2.072 (52.6)
16, 17 (E)	.732 (18.6)	1.115 (28.3)	.980 (24.9)	1.375 (34.9)	.738 (18.7)	2.172 (55.2)	.885 (22.5)	2.162 (54.9)
18, 19 (F)	.748 (19.0)	1.125 (28.6)	1.020 (25.9)	1.395 (35.4)	.926 (23.5)	2.362 (60.0)	.975 (24.8)	2.332 (59.2)
20, 21 (G)	.773 (19.6)	1.145 (29.1)	1.080 (27.4)	1.445 (36.7)	.926 (23.5)	2.362 (60.0)	.975 (24.8)	2.332 (59.2)
22, 23 (H)	.800 (20.3)	1.185 (30.1)	1.140 (29.0)	1.535 (39.0)	1.020 (25.9)	2.512 (63.8)	1.125 (28.6)	2.442 (62.0)
24, 25 (J)	.823 (20.9)	1.215 (30.9)	1.200 (30.5)	1.605 (40.8)	1.020 (25.9)	2.512 (63.8)	1.125 (28.6)	2.442 (62.0)

Notes

1. This table specifies standard dimensions for TopFlite's adapters. If the customer requires dimensions that vary from provided catalog dimensions, please contact your TopFlite sales representative.
2. For additional shell size dimensions, such as those for TopFlite's Micro Miniature (M&M Connector™) Series, please contact the factory for the appropriate engineering drawing.

PART NUMBER BREAKDOWN												
EXAMPLE PART NUMBER	TF	A	76	1	F	2	-08	03	-6	-A	-ZXXX	
STANDARD PREFIX												
CONNECTOR INTERFACE	A - MIL-DTL-5015, MIL-DTL-26482 SERIES II, MIL-DTL-83723 SERIES III B - MIL-DTL-26482 SERIES I C - MIL-DTL-38999 SERIES I & II D - MIL-DTL-38999 SERIES III & IV (PLEASE REFER TO PAGE 3 FOR ADDITIONAL INTERFACE CODES)											
SERIES	76											
ANGLE	1 - STRAIGHT 4 - 45 DEGREE 9 - 90 DEGREE 3 - 45 DEGREE, FULL RADIUS/SWEEPING 8 - 90 DEGREE, FULL RADIUS/SWEEPING											
MATERIAL/ FINISH	F - ALUMINUM W/ ELECTROLESS NICKEL Z - ALUMINUM W/ BLACK ZINC NICKEL A - ALUMINUM W/ BLACK ANODIZE D - ALUMINUM W/ OLIVE DRAB CADMIUM T - ALUMINUM W/ NICKEL TEFLON/PTFE K - STAINLESS W/ PASSIVATION TREATMENT (SEE PAGE 4 FOR MATERIAL AND FINISH SPECIFICATIONS & ADDITIONAL FINISHES)											
COUPLING TYPE	1 - DIRECT COUPLING 2 - SELF-LOCKING COUPLING 3 - RATCHETING COUPLING 4 - ANTI-DECOUPLING VIA WAVE SPRING											
SHELL SIZE	08 11 15 ETC.											
CABLE ENTRY	03 34 ETC. (SEE CABLE ENTRY CHART PAGE 3)											
LENGTH	1/4 INCREMENTS, FOR EXAMPLE: 3 = 0.75", 7 = 1.75", ETC. (OMIT FOR STANDARD 1.5 INCH LENGTH) (STRAIGHT ONLY)											
STRAIN RELIEF OPTION	R (SEE OPTIONS PAGE 8. OMIT FOR NONE)											
Z-CODE	Z112 Z090 Z030 ETC. (CONTACT SALES STAFF IF A Z-CODE IS REQUIRED FOR A CUSTOM CONFIGURATION/OPTION(S). OMIT FOR NONE)											

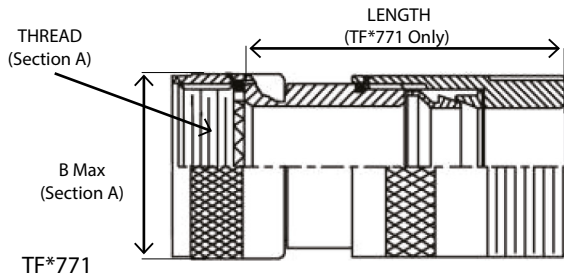
Disclaimer

All information in this catalog is believed to be reliable. Readers should independently evaluate each product to confirm suitability with their specific application. Topflite components makes no warranties as to the accuracy or completeness of the information and disclaim any liability regarding its use. Specifications are subject to change without notice. Topflite components processes or materials that do not affect compliance with any applicable specification are subject to change without notice.

EMI/RFI NON-ENVIRONMENTAL BACKSHELL

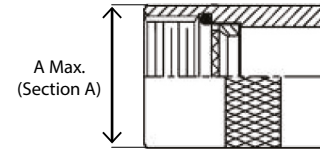
TF*771, TF*773, TF*774, TF*778, TF*779

INNER OR OUTER SHIELD TERMINATION

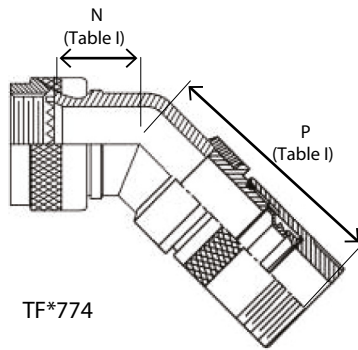


TF*771

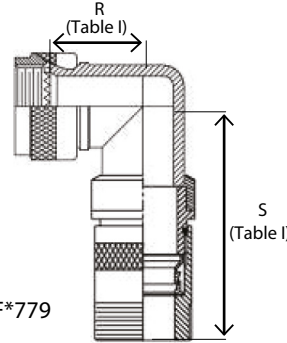
DIRECT COUPLING OPTION (STRAIGHT)



STANDARD PROFILE

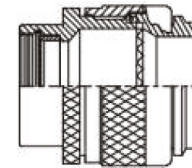


TF*774

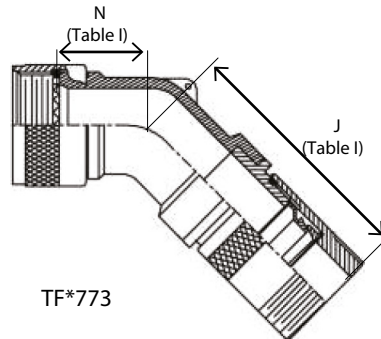


TF*779

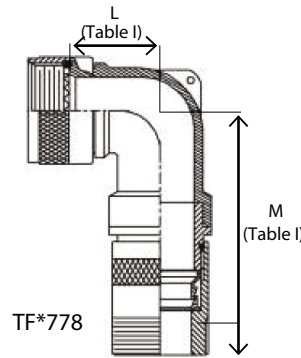
DIRECT COUPLING OPTION (45° AND 90°)



FULL-RADIUS PROFILE



TF*773



TF*778

DIRECT COUPLING OPTION (45° AND 90°)

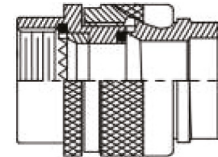


TABLE I
DIMENSIONAL CHART - 45 AND 90 DEGREE ADAPTERS

SHELL SIZE	H MAX	J MAX	L MAX	M MAX	N MAX	P MAX	R MAX	S MAX
8,9 (A)	.457 (11.6)	3.460 (87.9)	.510 (13.0)	3.460 (87.9)	.639 (16.2)	3.460 (87.9)	.750 (19.1)	3.460 (87.9)
10, 11 (B)	.520 (13.2)	3.520 (89.4)	.595 (15.1)	3.590 (91.2)	.664 (16.9)	3.520 (89.4)	.810 (20.6)	3.590 (91.2)
12, 13 (C)	.582 (14.8)	3.580 (90.9)	.610 (15.5)	3.610 (91.7)	.688 (17.5)	3.580 (90.9)	.870 (22.1)	3.610 (91.7)
14, 15 (D)	.645 (16.4)	3.900 (99.1)	.700 (17.8)	3.910 (99.3)	.705 (17.9)	3.900 (99.1)	.920 (23.4)	3.910 (99.3)
16, 17 (E)	.738 (18.7)	4.010 (101.9)	.885 (22.5)	4.000 (101.6)	.732 (18.6)	4.010 (101.9)	.980 (24.9)	4.000 (101.6)
18, 19 (F)	.926 (23.5)	4.200 (106.7)	.975 (24.8)	4.170 (105.9)	.748 (19.0)	4.200 (106.7)	1.020 (25.9)	4.170 (105.9)
20, 21 (G)	.926 (23.5)	4.200 (106.7)	.975 (24.8)	4.170 (105.9)	.773 (19.6)	4.200 (106.7)	1.080 (27.4)	4.170 (105.9)
22, 23 (H)	1.020 (25.9)	4.350 (110.5)	1.125 (28.6)	4.280 (108.7)	.800 (20.3)	4.350 (110.5)	1.140 (29.0)	4.280 (108.7)
24, 25 (J)	1.020 (25.9)	4.350 (110.5)	1.125 (28.6)	4.280 (108.7)	.823 (20.9)	4.350 (110.5)	1.200 (30.5)	4.280 (108.7)

Notes

1. This table specifies standard dimensions for TopFlite's adapters. If the customer requires dimensions that vary from provided catalog dimensions, please contact your TopFlite sales representative.
2. For additional shell size dimensions, such as those for TopFlite's Micro Miniature (M&M Connector™) Series, please contact the factory for the appropriate engineering drawing.

PART NUMBER BREAKDOWN												
EXAMPLE PART NUMBER	TF	A	77	1	F	2	-08	03	-6	-A	-ZXXX	
STANDARD PREFIX												
CONNECTOR INTERFACE	A - MIL-DTL-5015, MIL-DTL-26482 SERIES II, MIL-DTL-83723 SERIES III B - MIL-DTL-26482 SERIES I C - MIL-DTL-38999 SERIES I & II D - MIL-DTL-38999 SERIES III & IV (PLEASE REFER TO PAGE 3 FOR ADDITIONAL INTERFACE CODES)											
SERIES	77											
ANGLE	1 - STRAIGHT 4 - 45 DEGREE 9 - 90 DEGREE 3 - 45 DEGREE, FULL RADIUS/SWEEPING 8 - 90 DEGREE, FULL RADIUS/SWEEPING											
MATERIAL/ FINISH	F - ALUMINUM W/ ELECTROLESS NICKEL Z - ALUMINUM W/ BLACK ZINC NICKEL A - ALUMINUM W/ BLACK ANODIZE D - ALUMINUM W/ OLIVE DRAB CADMIUM T - ALUMINUM W/ NICKEL TEFLON/PTFE K - STAINLESS W/ PASSIVATION TREATMENT (SEE PAGE 4 FOR MATERIAL AND FINISH SPECIFICATIONS & ADDITIONAL FINISHES)											
COUPLING TYPE	1 - DIRECT COUPLING 2 - SELF-LOCKING COUPLING 3 - RATCHETING COUPLING 4 - ANTI-DECOUPLING VIA WAVE SPRING											
SHELL SIZE	08 11 15 ETC.											
CABLE ENTRY	03 34 ETC. (SEE CABLE ENTRY CHART PAGE 3)											
LENGTH	1/4 INCREMENTS, FOR EXAMPLE: 3 = 0.75", 7 = 1.75", ETC. (OMIT FOR STANDARD 1.5 INCH LENGTH) (STRAIGHT ONLY)											
STRAIN RELIEF OPTION	R (SEE OPTIONS PAGE 8. OMIT FOR NONE)											
Z-CODE	Z112 Z090 Z030 ETC. (CONTACT SALES STAFF IF A Z-CODE IS REQUIRED FOR A CUSTOM CONFIGURATION/OPTION(S). OMIT FOR NONE)											

Disclaimer

All information in this catalog is believed to be reliable. Readers should independently evaluate each product to confirm suitability with their specific application. Topflite components makes no warranties as to the accuracy or completeness of the information and disclaim any liability regarding its use. Specifications are subject to change without notice. Topflite components processes or materials that do not affect compliance with any applicable specification are subject to change without notice.