



EMI/RFI ENVIRONMENTAL BACKSHELLS

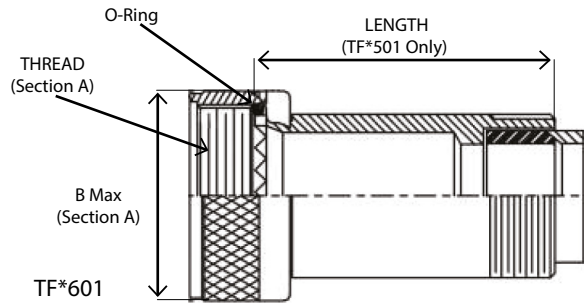
Electromagnetic interference (EMI) and radio frequency interference (RFI) generate interference. When strong external noise fields exist, the conductors of a cable act as antennas and pick up the radiated signals. The reception of this interference results in inaccurate or interrupted data transmission. An effective shield prevents the reception of undesired signals as well as confining extraneous signals generated within the cable itself. EMI/RFI backshells enclose the cable in a tightly woven metal braid comprised of wire strands which is then terminated at one or both ends of the cable to ground potential. The termination and grounding of the shield is accomplished by using a suitable connector backshell. A variety of backshell configurations are available for termination of cable shielding. Environmental backshells protect the wiring side of the connector from dust, dirt, moisture and fluids. Almost all recent military specification cylindrical connectors are designed so that when the wires are inserted through the grommet, and assuming all holes in the grommet contain either a wire or a sealing plug, the connector will be environmentally sealed once the backshell or strain relief is secured.

SERIES	DESCRIPTION	PAGE
60	FULLY SEALED, OUTER TERMINATION EMI/RFI ENVIRONMENTAL BACKSHELL	104
61	MOISTURE PROOF, OUTER TERMINATION EMI/RFI ENVIRONMENTAL BACKSHELL	106
62	FULLY SEALED, INNER AND OUTER TERMINATION EMI/RFI ENVIRONMENTAL BACKSHELL	108
80	FULLY SEALED, OUTER TERMINATION EMI/RFI ENVIRONMENTAL BACKSHELL	110
81	FULLY SEALED, OUTER TERMINATION EMI/RFI ENVIRONMENTAL BACKSHELL	112
82	SPLASH PROOF, OUTER TERMINATION EMI/RFI ENVIRONMENTAL BACKSHELL	114
83	FULLY SEALED, INNER AND OUTER TERMINATION EMI/RFI ENVIRONMENTAL BACKSHELL	116
84	FULLY SEALED, INNER AND OUTER TERMINATION EMI/RFI ENVIRONMENTAL BACKSHELL	118
85	SPLASH-PROOF, OUTER SHIELD TERMINATION EMI/RFI ENVIRONMENTAL BACKSHELL	120
87	FULLY SEALED, INNER AND OUTER SHIELD TERMINATION EMI/RFI ENVIRONMENTAL BACKSHELL	122
88	FULLY SEALED, INNER AND OUTER SHIELD TERMINATION EMI/RFI ENVIRONMENTAL BACKSHELL	124
89	FULLY SEALED, INNER AND OUTER SHIELD TERMINATION EMI/RFI ENVIRONMENTAL BACKSHELL	126

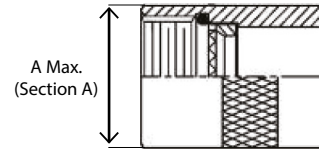
ENVIRONMENTAL BACKSHELL

TF*601, TF*603, TF*604, TF*608, TF*609

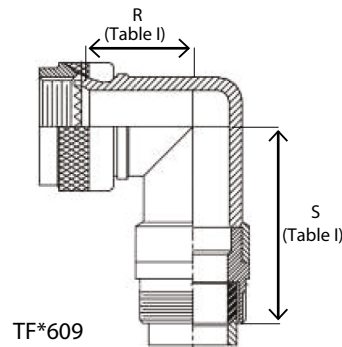
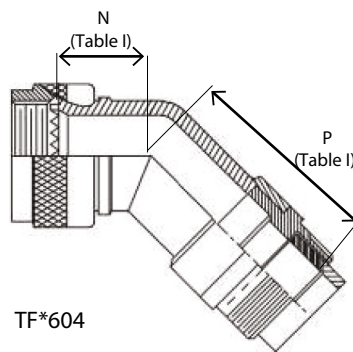
FULLY SEALED



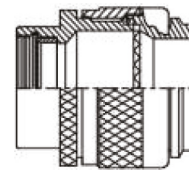
DIRECT COUPLING OPTION (STRAIGHT)



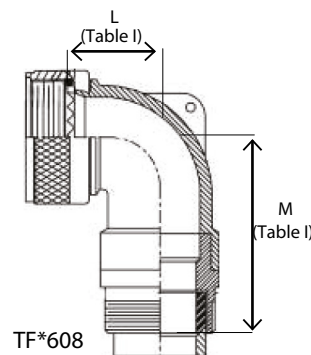
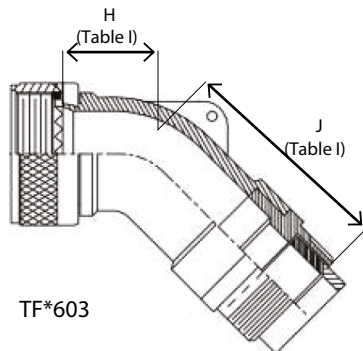
STANDARD PROFILE



DIRECT COUPLING OPTION (45° AND 90°)



FULL-RADIUS PROFILE



DIRECT COUPLING OPTION (45° AND 90°)

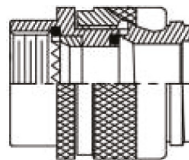


TABLE I
DIMENSIONAL CHART - 45 AND 90 DEGREE ADAPTERS

SHELL SIZE	H MAX	J MAX	L MAX	M MAX	N MAX	P MAX	R MAX	S MAX
8, 9 (A)	.457 (11.6)	1.810 (46.0)	.500 (12.7)	1.820 (46.2)	.639 (16.2)	1.810 (46.0)	.750 (19.1)	1.820 (46.2)
10, 11 (B)	.520 (13.2)	1.869 (47.5)	.595 (15.1)	1.940 (49.3)	.664 (16.9)	1.869 (47.5)	.810 (20.6)	1.940 (49.3)
12, 13 (C)	.582 (14.8)	1.929 (49.0)	.610 (15.5)	1.960 (49.8)	.688 (17.5)	1.929 (49.0)	.870 (22.1)	1.960 (49.8)
14, 15 (D)	.645 (16.4)	2.359 (59.9)	.700 (17.8)	2.369 (60.2)	.705 (17.9)	2.359 (59.9)	.920 (23.4)	2.369 (60.2)
16, 17 (E)	.738 (18.7)	2.469 (62.7)	.885 (22.5)	2.459 (62.5)	.732 (18.6)	2.469 (62.7)	.980 (24.9)	2.459 (62.5)
18, 19 (F)	.926 (23.5)	2.659 (67.5)	.975 (24.8)	2.629 (66.8)	.748 (19.0)	2.659 (67.5)	1.020 (25.9)	2.629 (66.8)
20, 21 (G)	.926 (23.5)	2.659 (67.5)	.975 (24.8)	2.629 (66.8)	.773 (19.6)	2.659 (67.5)	1.080 (27.4)	2.629 (66.8)
22, 23 (H)	1.020 (25.9)	2.872 (72.9)	1.125 (28.6)	2.802 (71.2)	.800 (20.3)	2.872 (72.9)	1.140 (29.0)	2.802 (71.2)
24, 25 (J)	1.020 (25.9)	2.872 (72.9)	1.125 (28.6)	2.802 (71.2)	.823 (20.9)	2.872 (72.9)	1.200 (30.5)	2.802 (71.2)

Notes

1. This table specifies standard dimensions for TopFlite's adapters. If the customer requires dimensions that vary from provided catalog dimensions, please contact your TopFlite sales representative.
2. For additional shell size dimensions, such as those for TopFlite's Micro Miniature (M&M Connector™) Series, please contact the factory for the appropriate engineering drawing.

PART NUMBER BREAKDOWN												
EXAMPLE PART NUMBER	TF	A	60	1	F	2	-08	03	-6	-A	-ZXXX	
STANDARD PREFIX												
CONNECTOR INTERFACE	A - MIL-DTL-5015, MIL-DTL-26482 SERIES II, MIL-DTL-83723 SERIES III B - MIL-DTL-26482 SERIES I C - MIL-DTL-38999 SERIES I & II D - MIL-DTL-38999 SERIES III & IV (PLEASE REFER TO PAGE 3 FOR ADDITIONAL INTERFACE CODES)											
SERIES	60											
ANGLE	1 - STRAIGHT 4 - 45 DEGREE 9 - 90 DEGREE 3 - 45 DEGREE, FULL RADIUS/SWEEPING 8 - 90 DEGREE, FULL RADIUS/SWEEPING											
MATERIAL/ FINISH	F - ALUMINUM W/ ELECTROLESS NICKEL Z - ALUMINUM W/ BLACK ZINC NICKEL A - ALUMINUM W/ BLACK ANODIZE D - ALUMINUM W/ OLIVE DRAB CADMIUM T - ALUMINUM W/ NICKEL TEFLON/PTFE K - STAINLESS W/ PASSIVATION TREATMENT (SEE PAGE 4 FOR MATERIAL AND FINISH SPECIFICATIONS & ADDITIONAL FINISHES)											
COUPLING TYPE	1 - DIRECT COUPLING 2 - SELF-LOCKING COUPLING 3 - RATCHETING COUPLING 4 - ANTI-DECOUPLING VIA WAVE SPRING											
SHELL SIZE	08 11 15 ETC.											
CABLE ENTRY	03 34 ETC. (SEE CABLE ENTRY CHART PAGE 3)											
LENGTH	1/4 INCREMENTS, FOR EXAMPLE: 3 = 0.75", 7 = 1.75", ETC. (OMIT FOR STANDARD 1.5 INCH LENGTH) (STRAIGHT ONLY)											
STRAIN RELIEF OPTION	R (SEE OPTIONS PAGE 8. OMIT FOR NONE)											
Z-CODE	Z112 Z090 Z030 ETC. (CONTACT SALES STAFF IF A Z-CODE IS REQUIRED FOR A CUSTOM CONFIGURATION/OPTION(S). OMIT FOR NONE)											

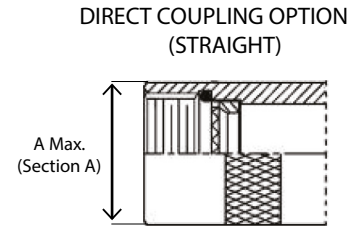
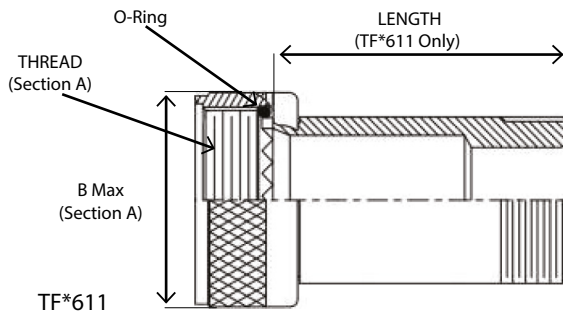
Disclaimer

All information in this catalog is believed to be reliable. Readers should independently evaluate each product to confirm suitability with their specific application. Topflite components makes no warranties as to the accuracy or completeness of the information and disclaim any liability regarding its use. Specifications are subject to change without notice. Topflite components processes or materials that do not affect compliance with any applicable specification are subject to change without notice.

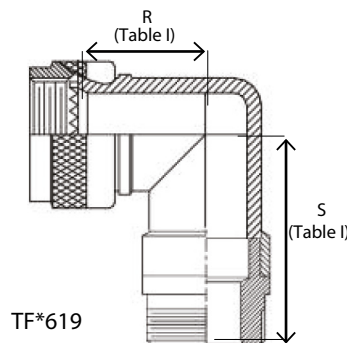
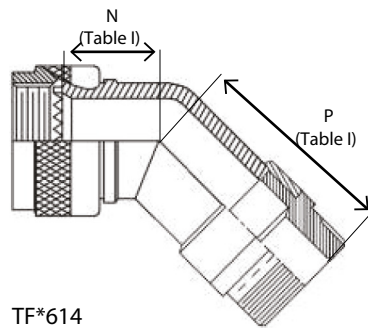
ENVIRONMENTAL BACKSHELL

TF*611, TF*613, TF*614, TF*618, TF*619

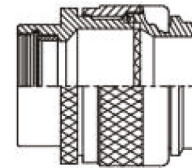
MOISTURE PROOF



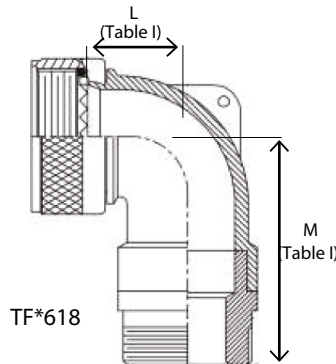
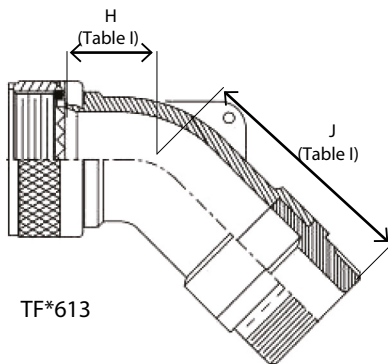
STANDARD PROFILE



DIRECT COUPLING OPTION (45° AND 90°)



FULL-RADIUS PROFILE



DIRECT COUPLING OPTION (45° AND 90°)

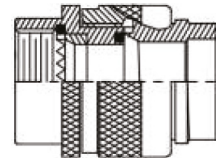


TABLE I
DIMENSIONAL CHART - 45 AND 90 DEGREE ADAPTERS

SHELL SIZE	H MAX	J MAX	L MAX	M MAX	N MAX	P MAX	R MAX	S MAX
8,9 (A)	.457 (11.6)	1.810 (46.0)	.500 (12.7)	1.820 (46.2)	.639 (16.2)	1.810 (46.0)	.750 (19.1)	1.820 (46.2)
10, 11 (B)	.520 (13.2)	1.869 (47.5)	.595 (15.1)	1.940 (49.3)	.664 (16.9)	1.869 (47.5)	.810 (20.6)	1.940 (49.3)
12, 13 (C)	.582 (14.8)	1.929 (49.0)	.610 (15.5)	1.960 (49.8)	.688 (17.5)	1.929 (49.0)	.870 (22.1)	1.960 (49.8)
14, 15 (D)	.645 (16.4)	2.359 (59.9)	.700 (17.8)	2.369 (60.2)	.705 (17.9)	2.359 (59.9)	.920 (23.4)	2.369 (60.2)
16, 17 (E)	.738 (18.7)	2.469 (62.7)	.885 (22.5)	2.459 (62.5)	.732 (18.6)	2.469 (62.7)	.980 (24.9)	2.459 (62.5)
18, 19 (F)	.926 (23.5)	2.659 (67.5)	.975 (24.8)	2.629 (66.8)	.748 (19.0)	2.659 (67.5)	1.020 (25.9)	2.629 (66.8)
20, 21 (G)	.926 (23.5)	2.659 (67.5)	.975 (24.8)	2.629 (66.8)	.773 (19.6)	2.659 (67.5)	1.080 (27.4)	2.629 (66.8)
22, 23 (H)	1.020 (25.9)	2.872 (72.9)	1.125 (28.6)	2.802 (71.2)	.800 (20.3)	2.872 (72.9)	1.140 (29.0)	2.802 (71.2)
24, 25 (J)	1.020 (25.9)	2.872 (72.9)	1.125 (28.6)	2.802 (71.2)	.823 (20.9)	2.872 (72.9)	1.200 (30.5)	2.802 (71.2)

Notes

1. This table specifies standard dimensions for TopFlite's adapters. If the customer requires dimensions that vary from provided catalog dimensions, please contact your TopFlite sales representative.
2. For additional shell size dimensions, such as those for TopFlite's Micro Miniature (M&M Connector™) Series, please contact the factory for the appropriate engineering drawing.

PART NUMBER BREAKDOWN												
EXAMPLE PART NUMBER	TF	A	61	1	F	2	-08	03	-6	-A	-ZXXX	
STANDARD PREFIX												
CONNECTOR INTERFACE	A - MIL-DTL-5015, MIL-DTL-26482 SERIES II, MIL-DTL-83723 SERIES III B - MIL-DTL-26482 SERIES I C - MIL-DTL-38999 SERIES I & II D - MIL-DTL-38999 SERIES III & IV (PLEASE REFER TO PAGE 3 FOR ADDITIONAL INTERFACE CODES)											
SERIES	61											
ANGLE	1 - STRAIGHT 4 - 45 DEGREE 9 - 90 DEGREE 3 - 45 DEGREE, FULL RADIUS/SWEEPING 8 - 90 DEGREE, FULL RADIUS/SWEEPING											
MATERIAL/ FINISH	F - ALUMINUM W/ ELECTROLESS NICKEL Z - ALUMINUM W/ BLACK ZINC NICKEL A - ALUMINUM W/ BLACK ANODIZE D - ALUMINUM W/ OLIVE DRAB CADMIUM T - ALUMINUM W/ NICKEL TEFLON/PTFE K - STAINLESS W/ PASSIVATION TREATMENT (SEE PAGE 4 FOR MATERIAL AND FINISH SPECIFICATIONS & ADDITIONAL FINISHES)											
COUPLING TYPE	1 - DIRECT COUPLING 2 - SELF-LOCKING COUPLING 3 - RATCHETING COUPLING 4 - ANTI-DECOUPLING VIA WAVE SPRING											
SHELL SIZE	08 11 15 ETC.											
CABLE ENTRY	03 34 ETC. (SEE CABLE ENTRY CHART PAGE 3)											
LENGTH	1/4 INCREMENTS, FOR EXAMPLE: 3 = 0.75", 7 = 1.75", ETC. (OMIT FOR STANDARD 1.5 INCH LENGTH) (STRAIGHT ONLY)											
STRAIN RELIEF OPTION	R (SEE OPTIONS PAGE 8. OMIT FOR NONE)											
Z-CODE	Z112 Z090 Z030 ETC. (CONTACT SALES STAFF IF A Z-CODE IS REQUIRED FOR A CUSTOM CONFIGURATION/OPTION(S). OMIT FOR NONE)											

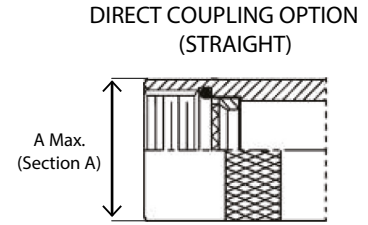
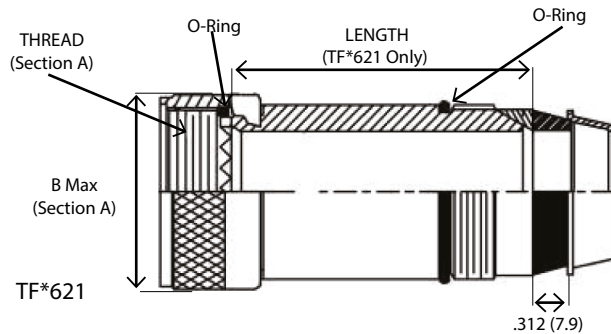
Disclaimer

All information in this catalog is believed to be reliable. Readers should independently evaluate each product to confirm suitability with their specific application. Topflite components makes no warranties as to the accuracy or completeness of the information and disclaim any liability regarding its use. Specifications are subject to change without notice. Topflite components processes or materials that do not affect compliance with any applicable specification are subject to change without notice.

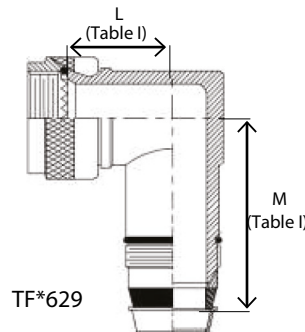
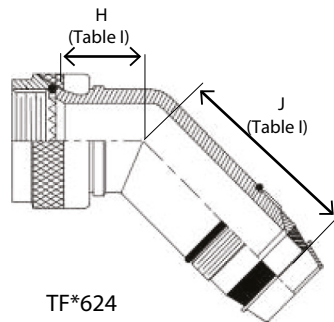
ENVIRONMENTAL BACKSHELL

TF*621, TF*623, TF*624, TF*628, TF*629

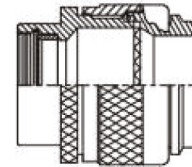
SPLASH PROOF



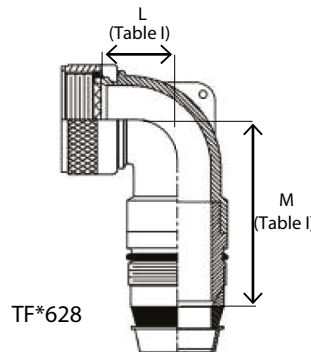
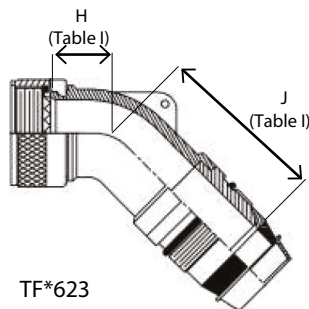
STANDARD PROFILE



DIRECT COUPLING OPTION (45° AND 90°)



FULL-RADIUS PROFILE



DIRECT COUPLING OPTION (45° AND 90°)

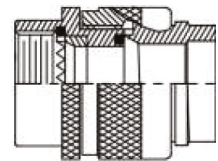


TABLE I
DIMENSIONAL CHART - 45 AND 90 DEGREE ADAPTERS

SHELL SIZE	H MAX	J MAX	L MAX	M MAX	N MAX	P MAX	R MAX	S MAX
8, 9 (A)	.457 (11.6)	2.030 (51.6)	.500 (12.7)	2.040 (51.8)	.639 (16.2)	2.030 (51.6)	.750 (19.1)	2.040 (51.8)
10, 11 (B)	.520 (13.2)	2.030 (51.6)	.595 (15.1)	2.040 (51.8)	.664 (16.9)	2.030 (51.6)	.810 (20.6)	2.040 (51.8)
12, 13 (C)	.582 (14.8)	2.090 (53.1)	.610 (15.5)	2.160 (54.9)	.688 (17.5)	2.090 (53.1)	.870 (22.1)	2.160 (54.9)
14, 15 (D)	.645 (16.4)	2.150 (54.6)	.700 (17.8)	2.180 (55.4)	.705 (17.9)	2.150 (54.6)	.920 (23.4)	2.180 (55.4)
16, 17 (E)	.738 (18.7)	2.240 (56.9)	.885 (22.5)	2.250 (57.2)	.732 (18.6)	2.240 (56.9)	.980 (24.9)	2.250 (57.2)
18, 19 (F)	.926 (23.5)	2.340 (59.4)	.975 (24.8)	2.340 (59.4)	.748 (19.0)	2.340 (59.4)	1.020 (25.9)	2.340 (59.4)
20, 21 (G)	.926 (23.5)	2.340 (59.4)	.975 (24.8)	2.340 (59.4)	.773 (19.6)	2.340 (59.4)	1.080 (27.4)	2.340 (59.4)
22, 23 (H)	1.020 (25.9)	2.540 (64.5)	1.125 (28.6)	2.510 (63.8)	.800 (20.3)	2.540 (64.5)	1.140 (29.0)	2.510 (63.8)
24, 25 (J)	1.020 (25.9)	2.540 (64.5)	1.125 (28.6)	2.510 (63.8)	.823 (20.9)	2.540 (64.5)	1.200 (30.5)	2.510 (63.8)

Notes

- This table specifies standard dimensions for TopFlite's adapters. If the customer requires dimensions that vary from provided catalog dimensions, please contact your TopFlite sales representative.
- For additional shell size dimensions, such as those for TopFlite's Micro Miniature (M&M Connector™) Series, please contact the factory for the appropriate engineering drawing.

PART NUMBER BREAKDOWN												
EXAMPLE PART NUMBER	TF	A	62	1	F	2	-08	03	-6	-A	-ZXXX	
STANDARD PREFIX												
CONNECTOR INTERFACE	A - MIL-DTL-5015, MIL-DTL-26482 SERIES II, MIL-DTL-83723 SERIES III B - MIL-DTL-26482 SERIES I C - MIL-DTL-38999 SERIES I & II D - MIL-DTL-38999 SERIES III & IV (PLEASE REFER TO PAGE 3 FOR ADDITIONAL INTERFACE CODES)											
SERIES	62											
ANGLE	1 - STRAIGHT 4 - 45 DEGREE 9 - 90 DEGREE 3 - 45 DEGREE, FULL RADIUS/SWEEPING 8 - 90 DEGREE, FULL RADIUS/SWEEPING											
MATERIAL/ FINISH	F - ALUMINUM W/ ELECTROLESS NICKEL Z - ALUMINUM W/ BLACK ZINC NICKEL A - ALUMINUM W/ BLACK ANODIZE D - ALUMINUM W/ OLIVE DRAB CADMIUM T - ALUMINUM W/ NICKEL TEFLON/PTFE K - STAINLESS W/ PASSIVATION TREATMENT (SEE PAGE 4 FOR MATERIAL AND FINISH SPECIFICATIONS & ADDITIONAL FINISHES)											
COUPLING TYPE	1 - DIRECT COUPLING 2 - SELF-LOCKING COUPLING 3 - RATCHETING COUPLING 4 - ANTI-DECOUPLING VIA WAVE SPRING											
SHELL SIZE	08 11 15 ETC.											
CABLE ENTRY	03 34 ETC. (SEE CABLE ENTRY CHART PAGE 3)											
LENGTH	1/4 INCREMENTS, FOR EXAMPLE: 3 = 0.75", 7 = 1.75", ETC. (OMIT FOR STANDARD 1.5 INCH LENGTH) (STRAIGHT ONLY)											
STRAIN RELIEF OPTION	R (SEE OPTIONS PAGE 8. OMIT FOR NONE)											
Z-CODE	Z112 Z090 Z030 ETC. (CONTACT SALES STAFF IF A Z-CODE IS REQUIRED FOR A CUSTOM CONFIGURATION/OPTION(S). OMIT FOR NONE)											

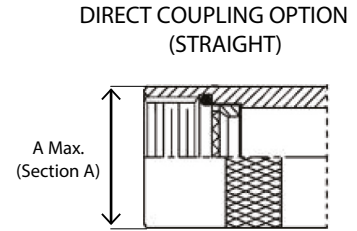
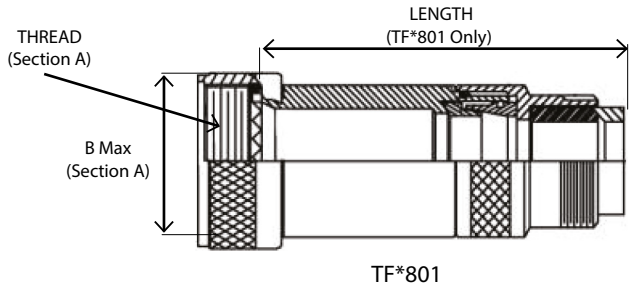
Disclaimer

All information in this catalog is believed to be reliable. Readers should independently evaluate each product to confirm suitability with their specific application. Topflite components makes no warranties as to the accuracy or completeness of the information and disclaim any liability regarding its use. Specifications are subject to change without notice. Topflite components processes or materials that do not affect compliance with any applicable specification are subject to change without notice.

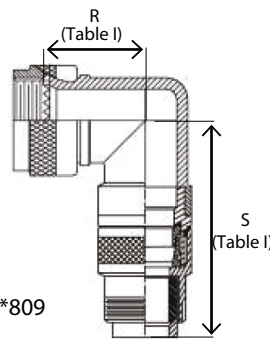
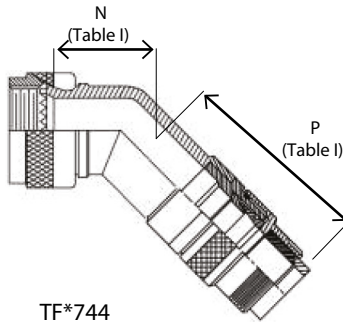
EMI/RFI ENVIRONMENTAL BACKSHELL

TF*801, TF*803, TF*804, TF*808, TF*809

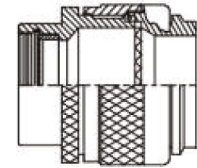
FULLY SEALED, OUTER SHIELD TERMINATION



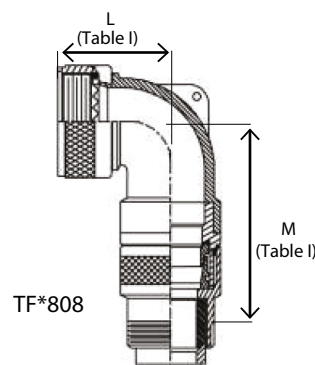
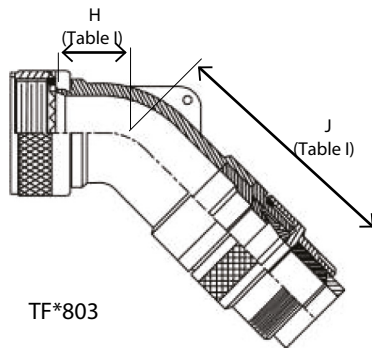
STANDARD PROFILE



DIRECT COUPLING OPTION (45° AND 90°)



FULL-RADIUS PROFILE



DIRECT COUPLING OPTION (45° AND 90°)

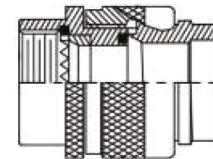


TABLE I
DIMENSIONAL CHART – 45 AND 90 DEGREE ADAPTERS

SHELL SIZE	H MAX	J MAX	L MAX	M MAX	N MAX	P MAX	R MAX	S MAX
8, 9 (A)	.457 (11.6)	1.760 (44.7)	.500 (12.7)	1.880 (47.8)	.639 (16.2)	1.760 (44.7)	.750 (19.1)	1.880 (47.8)
10, 11 (B)	.520 (13.2)	1.920 (48.8)	.595 (15.1)	1.990 (50.5)	.664 (16.9)	1.920 (48.8)	.810 (20.6)	1.990 (50.5)
12, 13 (C)	.582 (14.8)	1.990 (50.5)	.610 (15.5)	2.020 (51.3)	.688 (17.5)	1.990 (50.5)	.870 (22.1)	2.020 (51.3)
14, 15 (D)	.645 (16.4)	2.144 (54.5)	.700 (17.8)	2.154 (54.7)	.705 (17.9)	2.144 (54.5)	.920 (23.4)	2.154 (54.7)
16, 17 (E)	.738 (18.7)	2.254 (57.3)	.885 (22.5)	2.244 (57.0)	.732 (18.6)	2.254 (57.3)	.980 (24.9)	2.244 (57.0)
18, 19 (F)	.926 (23.5)	2.444 (62.1)	.975 (24.8)	2.414 (61.3)	.748 (19.0)	2.444 (62.1)	1.020 (25.9)	2.414 (61.3)
20, 21 (G)	.926 (23.5)	2.444 (62.1)	.975 (24.8)	2.414 (61.3)	.773 (19.6)	2.444 (62.1)	1.080 (27.4)	2.414 (61.3)
22, 23 (H)	1.020 (25.9)	2.657 (67.5)	1.125 (28.6)	2.587 (65.7)	.800 (20.3)	2.657 (67.5)	1.140 (29.0)	2.587 (65.7)
24, 25 (J)	1.020 (25.9)	2.657 (67.5)	1.125 (28.6)	2.587 (65.7)	.823 (20.9)	2.657 (67.5)	1.200 (30.5)	2.587 (65.7)

Notes

1. This table specifies standard dimensions for TopFlite's adapters. If the customer requires dimensions that vary from provided catalog dimensions, please contact your TopFlite sales representative.
2. For additional shell size dimensions, such as those for TopFlite's Micro Miniature (M&M Connector™) Series, please contact the factory for the appropriate engineering drawing.

PART NUMBER BREAKDOWN												
EXAMPLE PART NUMBER	TF	A	80	1	F	2	-08	03	-6	-A	-ZXXX	
STANDARD PREFIX												
CONNECTOR INTERFACE	A - MIL-DTL-5015, MIL-DTL-26482 SERIES II, MIL-DTL-83723 SERIES III B - MIL-DTL-26482 SERIES I C - MIL-DTL-38999 SERIES I & II D - MIL-DTL-38999 SERIES III & IV (PLEASE REFER TO PAGE 3 FOR ADDITIONAL INTERFACE CODES)											
SERIES	80											
ANGLE	1 - STRAIGHT 4 - 45 DEGREE 9 - 90 DEGREE 3 - 45 DEGREE, FULL RADIUS/SWEEPING 8 - 90 DEGREE, FULL RADIUS/SWEEPING											
MATERIAL/ FINISH	F - ALUMINUM W/ ELECTROLESS NICKEL Z - ALUMINUM W/ BLACK ZINC NICKEL A - ALUMINUM W/ BLACK ANODIZE D - ALUMINUM W/ OLIVE DRAB CADMIUM T - ALUMINUM W/ NICKEL TEFLON/PTFE K - STAINLESS W/ PASSIVATION TREATMENT (SEE PAGE 4 FOR MATERIAL AND FINISH SPECIFICATIONS & ADDITIONAL FINISHES)											
COUPLING TYPE	1 - DIRECT COUPLING 2 - SELF-LOCKING COUPLING 3 - RATCHETING COUPLING 4 - ANTI-DECOUPLING VIA WAVE SPRING											
SHELL SIZE	08 11 15 ETC.											
CABLE ENTRY	03 34 ETC. (SEE CABLE ENTRY CHART PAGE 3)											
LENGTH	1/4 INCREMENTS, FOR EXAMPLE: 3 = 0.75", 7 = 1.75", ETC. (OMIT FOR STANDARD 1.5 INCH LENGTH) (STRAIGHT ONLY)											
STRAIN RELIEF OPTION	R (SEE OPTIONS PAGE 8. OMIT FOR NONE)											
Z-CODE	Z112 Z090 Z030 ETC. (CONTACT SALES STAFF IF A Z-CODE IS REQUIRED FOR A CUSTOM CONFIGURATION/OPTION(S). OMIT FOR NONE)											

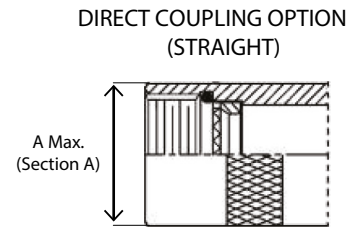
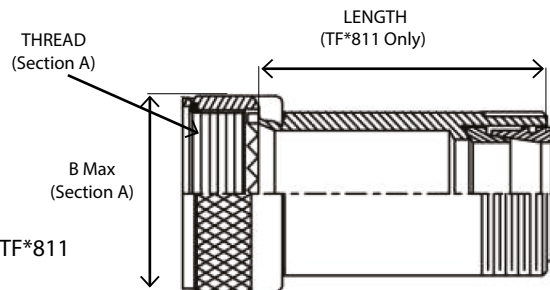
Disclaimer

All information in this catalog is believed to be reliable. Readers should independently evaluate each product to confirm suitability with their specific application. Topflite components makes no warranties as to the accuracy or completeness of the information and disclaim any liability regarding its use. Specifications are subject to change without notice. Topflite components processes or materials that do not affect compliance with any applicable specification are subject to change without notice.

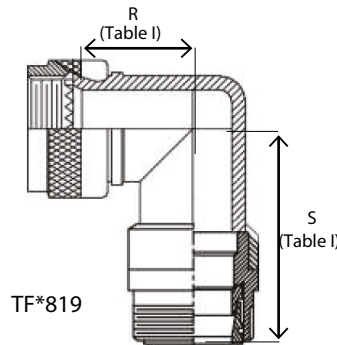
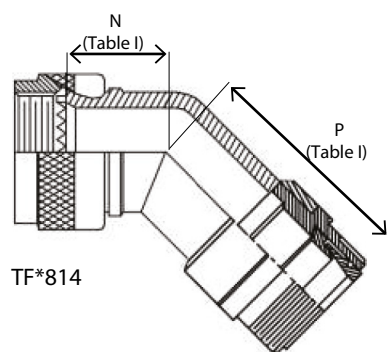
EMI/RFI ENVIRONMENTAL BACKSHELL

TF*811, TF*813, TF*814, TF*818, TF*819

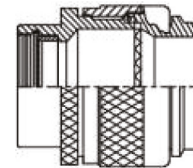
MOISTURE PROOF, OUTER SHIELD TERMINATION



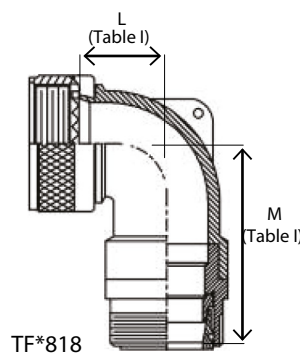
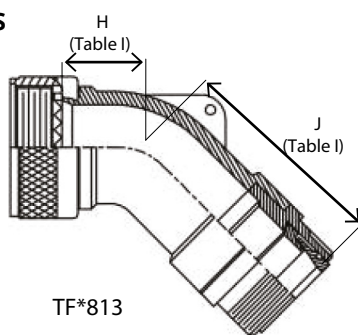
STANDARD PROFILE



DIRECT COUPLING OPTION (45° AND 90°)



FULL-RADIUS PROFILE



DIRECT COUPLING OPTION (45° AND 90°)

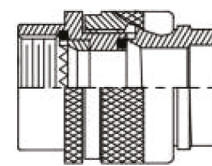


TABLE I
DIMENSIONAL CHART - 45 AND 90 DEGREE ADAPTERS

SHELL SIZE	H MAX	J MAX	L MAX	M MAX	N MAX	P MAX	R MAX	S MAX
8, 9 (A)	.457 (11.6)	1.602 (40.7)	.500 (12.7)	1.612 (40.9)	.639 (16.2)	1.602 (40.7)	.750 (19.1)	1.612 (40.9)
10, 11 (B)	.520 (13.2)	1.662 (42.2)	.595 (15.1)	1.732 (44.0)	.664 (16.9)	1.662 (42.2)	.810 (20.6)	1.732 (44.0)
12, 13 (C)	.582 (14.8)	1.722 (43.7)	.610 (15.5)	1.752 (44.5)	.688 (17.5)	1.722 (43.7)	.870 (22.1)	1.752 (44.5)
14, 15 (D)	.645 (16.4)	2.062 (52.4)	.700 (17.8)	2.072 (52.6)	.705 (17.9)	2.062 (52.4)	.920 (23.4)	2.072 (52.6)
16, 17 (E)	.738 (18.7)	2.172 (55.2)	.885 (22.5)	2.162 (54.9)	.732 (18.6)	2.172 (55.2)	.980 (24.9)	2.162 (54.9)
18, 19 (F)	.926 (23.5)	2.362 (60.0)	.975 (24.8)	2.332 (59.2)	.748 (19.0)	2.362 (60.0)	1.020 (25.9)	2.332 (59.2)
20, 21 (G)	.926 (23.5)	2.362 (60.0)	.975 (24.8)	2.332 (59.2)	.773 (19.6)	2.362 (60.0)	1.080 (27.4)	2.332 (59.2)
22, 23 (H)	1.020 (25.9)	2.512 (63.8)	1.125 (28.6)	2.442 (62.0)	.800 (20.3)	2.512 (63.8)	1.140 (29.0)	2.442 (62.0)
24, 25 (J)	1.020 (25.9)	2.512 (63.8)	1.125 (28.6)	2.442 (62.0)	.823 (20.9)	2.512 (63.8)	1.200 (30.5)	2.442 (62.0)

Notes

1. This table specifies standard dimensions for TopFlite's adapters. If the customer requires dimensions that vary from provided catalog dimensions, please contact your TopFlite sales representative.
2. For additional shell size dimensions, such as those for TopFlite's Micro Miniature (M&M Connector™) Series, please contact the factory for the appropriate engineering drawing.

PART NUMBER BREAKDOWN												
EXAMPLE PART NUMBER	TF	A	81	1	F	2	-08	03	-6	-A	-ZXXX	
STANDARD PREFIX												
CONNECTOR INTERFACE	A - MIL-DTL-5015, MIL-DTL-26482 SERIES II, MIL-DTL-83723 SERIES III B - MIL-DTL-26482 SERIES I C - MIL-DTL-38999 SERIES I & II D - MIL-DTL-38999 SERIES III & IV (PLEASE REFER TO PAGE 3 FOR ADDITIONAL INTERFACE CODES)											
SERIES	81											
ANGLE	1 - STRAIGHT 4 - 45 DEGREE 9 - 90 DEGREE 3 - 45 DEGREE, FULL RADIUS/SWEEPING 8 - 90 DEGREE, FULL RADIUS/SWEEPING											
MATERIAL/ FINISH	F - ALUMINUM W/ ELECTROLESS NICKEL Z - ALUMINUM W/ BLACK ZINC NICKEL A - ALUMINUM W/ BLACK ANODIZE D - ALUMINUM W/ OLIVE DRAB CADMIUM T - ALUMINUM W/ NICKEL TEFLON/PTFE K - STAINLESS W/ PASSIVATION TREATMENT (SEE PAGE 4 FOR MATERIAL AND FINISH SPECIFICATIONS & ADDITIONAL FINISHES)											
COUPLING TYPE	1 - DIRECT COUPLING 2 - SELF-LOCKING COUPLING 3 - RATCHETING COUPLING 4 - ANTI-DECOUPLING VIA WAVE SPRING											
SHELL SIZE	08 11 15 ETC.											
CABLE ENTRY	03 34 ETC. (SEE CABLE ENTRY CHART PAGE 3)											
LENGTH	1/4 INCREMENTS, FOR EXAMPLE: 3 = 0.75", 7 = 1.75", ETC. (OMIT FOR STANDARD 1.5 INCH LENGTH) (STRAIGHT ONLY)											
STRAIN RELIEF OPTION	R (SEE OPTIONS PAGE 8. OMIT FOR NONE)											
Z-CODE	Z112 Z090 Z030 ETC. (CONTACT SALES STAFF IF A Z-CODE IS REQUIRED FOR A CUSTOM CONFIGURATION/OPTION(S). OMIT FOR NONE)											

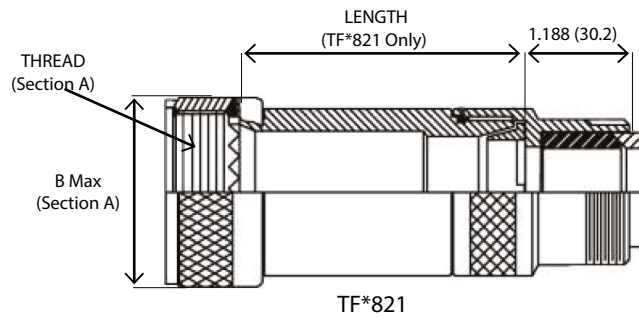
Disclaimer

All information in this catalog is believed to be reliable. Readers should independently evaluate each product to confirm suitability with their specific application. Topflite components makes no warranties as to the accuracy or completeness of the information and disclaim any liability regarding its use. Specifications are subject to change without notice. Topflite components processes or materials that do not affect compliance with any applicable specification are subject to change without notice.

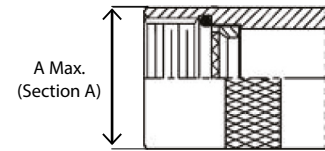
EMI/RFI ENVIRONMENTAL BACKSHELL

TF*821, TF*823, TF*824, TF*828, TF*829

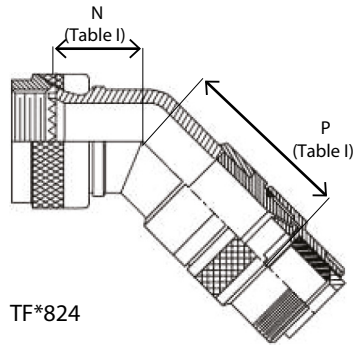
FULLY SEALED, INNER AND OUTER SHIELD TERMINATION



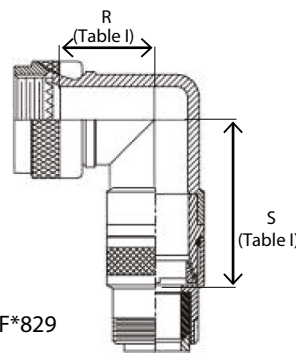
DIRECT COUPLING OPTION (STRAIGHT)



STANDARD PROFILE

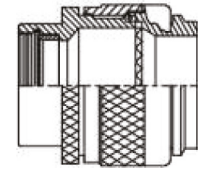


TF*824

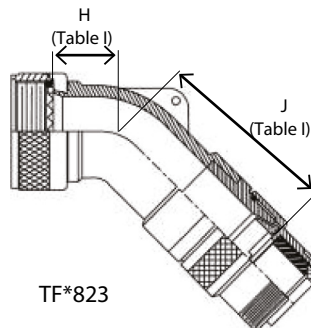


TF*829

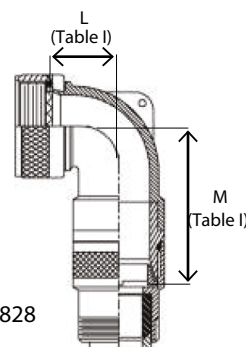
DIRECT COUPLING OPTION (45° AND 90°)



FULL-RADIUS PROFILE



TF*823



TF*828

DIRECT COUPLING OPTION (45° AND 90°)

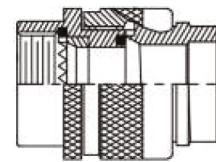


TABLE I
DIMENSIONAL CHART - 45 AND 90 DEGREE ADAPTERS

SHELL SIZE	H	J	L	M	N	P	R	S
8, 9 (A)	N/A	N/A	.500 (12.7)	2.551 (64.8)	N/A	N/A	.750 (19.1)	2.551 (64.8)
10, 11 (B)	.520 (13.2)	2.601 (66.1)	.595 (15.1)	2.671 (67.8)	.664 (16.9)	2.601 (66.1)	.810 (20.6)	2.671 (67.8)
12, 13 (C)	.582 (14.8)	2.661 (67.6)	.610 (15.5)	2.691 (68.4)	.688 (17.5)	2.661 (67.6)	.870 (22.1)	2.691 (68.4)
14, 15 (D)	.645 (16.4)	3.091 (78.5)	.700 (17.8)	3.101 (78.8)	.705 (17.9)	3.091 (78.5)	.920 (23.4)	3.101 (78.8)
16, 17 (E)	.738 (18.7)	3.201 (81.3)	.885 (22.5)	3.191 (81.1)	.732 (18.6)	3.201 (81.3)	.980 (24.9)	3.191 (81.1)
18, 19 (F)	.926 (23.5)	3.391 (86.1)	.975 (24.8)	3.361 (85.4)	.748 (19.0)	3.391 (86.1)	1.020 (25.9)	3.361 (85.4)
20, 21 (G)	.926 (23.5)	3.391 (86.1)	.975 (24.8)	3.361 (85.4)	.773 (19.6)	3.391 (86.1)	1.080 (27.4)	3.361 (85.4)
22, 23 (H)	1.020 (25.9)	3.604 (91.5)	1.125 (28.6)	3.534 (89.8)	.800 (20.3)	3.604 (91.5)	1.140 (29.0)	3.534 (89.8)
24, 25 (J)	1.020 (25.9)	3.604 (91.5)	1.125 (28.6)	3.534 (89.8)	.823 (20.9)	3.604 (91.5)	1.200 (30.5)	3.534 (89.8)

Notes

1. This table specifies standard dimensions for TopFlite's adapters. If the customer requires dimensions that vary from provided catalog dimensions, please contact your TopFlite sales representative.
2. For additional shell size dimensions, such as those for TopFlite's Micro Miniature (M&M Connector™) Series, please contact the factory for the appropriate engineering drawing.

PART NUMBER BREAKDOWN												
EXAMPLE PART NUMBER	TF	A	82	1	F	2	-08	03	-6	-A	-ZXXX	
STANDARD PREFIX												
CONNECTOR INTERFACE	A - MIL-DTL-5015, MIL-DTL-26482 SERIES II, MIL-DTL-83723 SERIES III B - MIL-DTL-26482 SERIES I C - MIL-DTL-38999 SERIES I & II D - MIL-DTL-38999 SERIES III & IV (PLEASE REFER TO PAGE 3 FOR ADDITIONAL INTERFACE CODES)											
SERIES	82											
ANGLE	1 - STRAIGHT 4 - 45 DEGREE 9 - 90 DEGREE 3 - 45 DEGREE, FULL RADIUS/SWEEPING 8 - 90 DEGREE, FULL RADIUS/SWEEPING											
MATERIAL/ FINISH	F - ALUMINUM W/ ELECTROLESS NICKEL Z - ALUMINUM W/ BLACK ZINC NICKEL A - ALUMINUM W/ BLACK ANODIZE D - ALUMINUM W/ OLIVE DRAB CADMIUM T - ALUMINUM W/ NICKEL TEFLON/PTFE K - STAINLESS W/ PASSIVATION TREATMENT (SEE PAGE 4 FOR MATERIAL AND FINISH SPECIFICATIONS & ADDITIONAL FINISHES)											
COUPLING TYPE	1 - DIRECT COUPLING 2 - SELF-LOCKING COUPLING 3 - RATCHETING COUPLING 4 - ANTI-DECOUPLING VIA WAVE SPRING											
SHELL SIZE	08 11 15 ETC.											
CABLE ENTRY	03 34 ETC. (SEE CABLE ENTRY CHART PAGE 3)											
LENGTH	1/4 INCREMENTS, FOR EXAMPLE: 3 = 0.75", 7 = 1.75", ETC. (OMIT FOR STANDARD 1.5 INCH LENGTH) (STRAIGHT ONLY)											
STRAIN RELIEF OPTION	R (SEE OPTIONS PAGE 8. OMIT FOR NONE)											
Z-CODE	Z112 Z090 Z030 ETC. (CONTACT SALES STAFF IF A Z-CODE IS REQUIRED FOR A CUSTOM CONFIGURATION/OPTION(S). OMIT FOR NONE)											

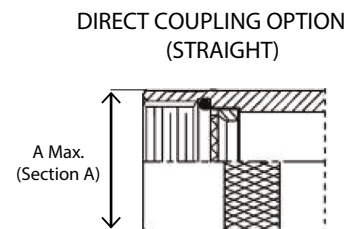
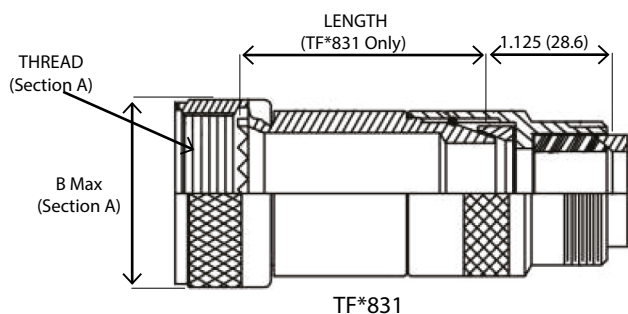
Disclaimer

All information in this catalog is believed to be reliable. Readers should independently evaluate each product to confirm suitability with their specific application. Topflite components makes no warranties as to the accuracy or completeness of the information and disclaim any liability regarding its use. Specifications are subject to change without notice. Topflite components processes or materials that do not affect compliance with any applicable specification are subject to change without notice.

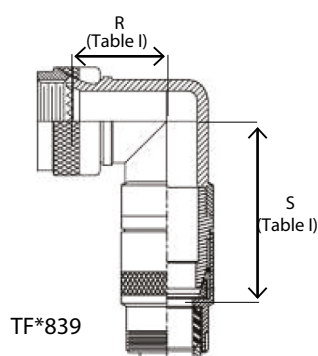
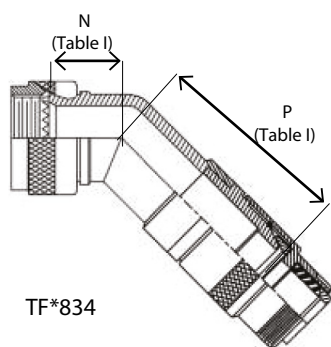
EMI/RFI ENVIRONMENTAL BACKSHELL

TF*831, TF*833, TF*834, TF*838, TF*839

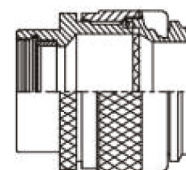
FULLY SEALED, OUTER SHIELD TERMINATION



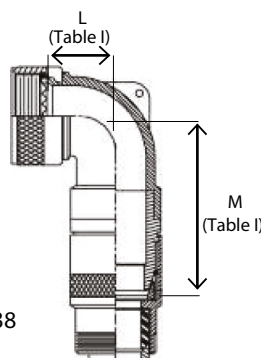
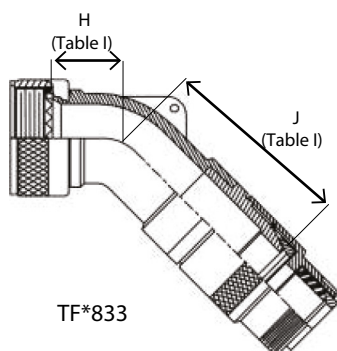
STANDARD PROFILE



DIRECT COUPLING OPTION (45° AND 90°)



FULL-RADIUS PROFILE



DIRECT COUPLING OPTION (45° AND 90°)

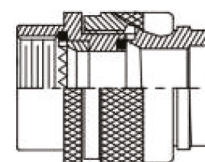


TABLE I
DIMENSIONAL CHART - 45 AND 90 DEGREE ADAPTERS

SHELL SIZE	H	J	L	M	N	P	R	S
8,9 (A)	N/A	N/A	.500 (12.7)	2.725 (69.2)	N/A	N/A	.750 (19.1)	2.725 (69.2)
10, 11 (B)	.520 (13.2)	2.775 (70.5)	.595 (15.1)	2.845 (72.3)	.664 (16.9)	2.775 (70.5)	.810 (20.6)	2.845 (72.3)
12, 13 (C)	.582 (14.8)	2.835 (72.0)	.610 (15.5)	2.865 (72.8)	.688 (17.5)	2.835 (72.0)	.870 (22.1)	2.865 (72.8)
14, 15 (D)	.645 (16.4)	3.554 (90.3)	.700 (17.8)	3.564 (90.5)	.705 (17.9)	3.554 (90.3)	.920 (23.4)	3.564 (90.5)
16, 17 (E)	.738 (18.7)	3.664 (93.1)	.885 (22.5)	3.654 (92.8)	.732 (18.6)	3.664 (93.1)	.980 (24.9)	3.654 (92.8)
18, 19 (F)	.926 (23.5)	3.854 (97.9)	.975 (24.8)	3.824 (97.1)	.748 (19.0)	3.854 (97.9)	1.020 (25.9)	3.824 (97.1)
20, 21 (G)	.926 (23.5)	3.854 (97.9)	.975 (24.8)	3.824 (97.1)	.773 (19.6)	3.854 (97.9)	1.080 (27.4)	3.824 (97.1)
22, 23 (H)	1.020 (25.9)	4.192 (106.5)	1.125 (28.6)	4.122 (104.7)	.800 (20.3)	4.192 (106.5)	1.140 (29.0)	4.122 (104.7)
24, 25 (J)	1.020 (25.9)	4.192 (106.5)	1.125 (28.6)	4.122 (104.7)	.823 (20.9)	4.192 (106.5)	1.200 (30.5)	4.122 (104.7)

Notes

1. This table specifies standard dimensions for TopFlite's adapters. If the customer requires dimensions that vary from provided catalog dimensions, please contact your TopFlite sales representative.
2. For additional shell size dimensions, such as those for TopFlite's Micro Miniature (M&M Connector™) Series, please contact the factory for the appropriate engineering drawing.

PART NUMBER BREAKDOWN												
EXAMPLE PART NUMBER	TF	A	83	1	F	2	-08	03	-6	-A	-ZXXX	
STANDARD PREFIX												
CONNECTOR INTERFACE	A - MIL-DTL-5015, MIL-DTL-26482 SERIES II, MIL-DTL-83723 SERIES III B - MIL-DTL-26482 SERIES I C - MIL-DTL-38999 SERIES I & II D - MIL-DTL-38999 SERIES III & IV (PLEASE REFER TO PAGE 3 FOR ADDITIONAL INTERFACE CODES)											
SERIES	83											
ANGLE	1 - STRAIGHT 4 - 45 DEGREE 9 - 90 DEGREE 3 - 45 DEGREE, FULL RADIUS/SWEEPING 8 - 90 DEGREE, FULL RADIUS/SWEEPING											
MATERIAL/ FINISH	F - ALUMINUM W/ ELECTROLESS NICKEL Z - ALUMINUM W/ BLACK ZINC NICKEL A - ALUMINUM W/ BLACK ANODIZE D - ALUMINUM W/ OLIVE DRAB CADMIUM T - ALUMINUM W/ NICKEL TEFLON/PTFE K - STAINLESS W/ PASSIVATION TREATMENT (SEE PAGE 4 FOR MATERIAL AND FINISH SPECIFICATIONS & ADDITIONAL FINISHES)											
COUPLING TYPE	1 - DIRECT COUPLING 2 - SELF-LOCKING COUPLING 3 - RATCHETING COUPLING 4 - ANTI-DECOUPLING VIA WAVE SPRING											
SHELL SIZE	08 11 15 ETC.											
CABLE ENTRY	03 34 ETC. (SEE CABLE ENTRY CHART PAGE 3)											
LENGTH	1/4 INCREMENTS, FOR EXAMPLE: 3 = 0.75", 7 = 1.75", ETC. (OMIT FOR STANDARD 1.5 INCH LENGTH) (STRAIGHT ONLY)											
STRAIN RELIEF OPTION	R (SEE OPTIONS PAGE 8. OMIT FOR NONE)											
Z-CODE	Z112 Z090 Z030 ETC. (CONTACT SALES STAFF IF A Z-CODE IS REQUIRED FOR A CUSTOM CONFIGURATION/OPTION(S). OMIT FOR NONE)											

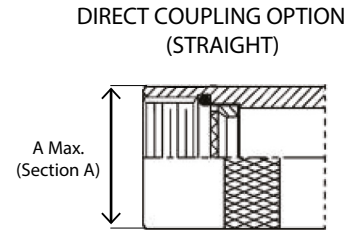
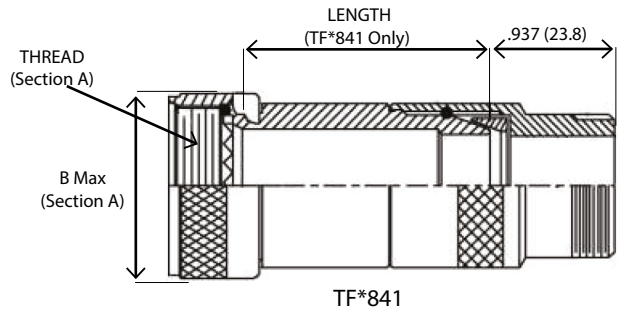
Disclaimer

All information in this catalog is believed to be reliable. Readers should independently evaluate each product to confirm suitability with their specific application. Topflite components makes no warranties as to the accuracy or completeness of the information and disclaim any liability regarding its use. Specifications are subject to change without notice. Topflite components processes or materials that do not affect compliance with any applicable specification are subject to change without notice.

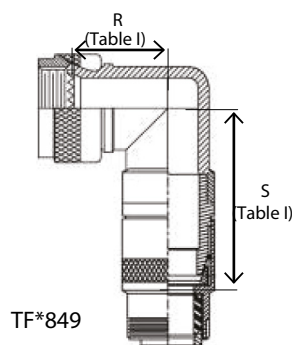
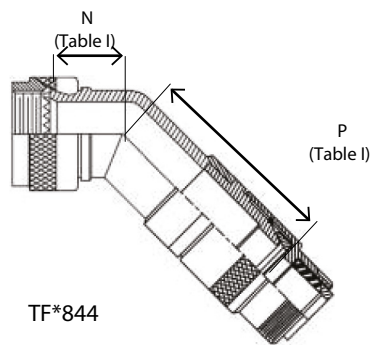
EMI/RFI ENVIRONMENTAL BACKSHELL

TF*841, TF*843, TF*844, TF*848, TF*849

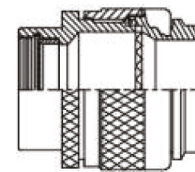
FULLY SEALED, OUTER SHIELD TERMINATION



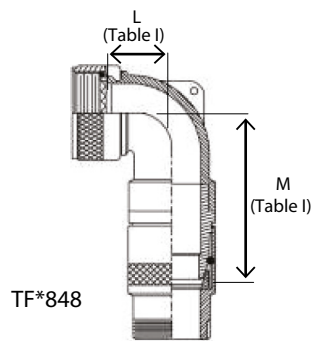
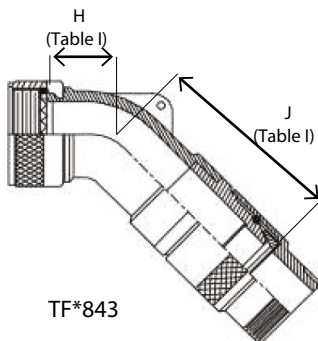
STANDARD PROFILE



DIRECT COUPLING OPTION (45° AND 90°)



FULL-RADIUS PROFILE



DIRECT COUPLING OPTION (45° AND 90°)

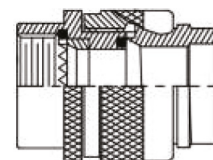


TABLE I
DIMENSIONAL CHART – 45 AND 90 DEGREE ADAPTERS

SHELL SIZE	H	J	L	M	N	P	R	S
8, 9 (A)	N/A	N/A	.500 (12.7)	2.725 (69.2)	N/A	N/A	.750 (19.1)	2.725 (69.2)
10, 11 (B)	.520 (13.2)	2.775 (70.5)	.595 (15.1)	2.845 (72.3)	.664 (16.9)	2.775 (70.5)	.810 (20.6)	2.845 (72.3)
12, 13 (C)	.582 (14.8)	2.835 (72.0)	.610 (15.5)	2.865 (72.8)	.688 (17.5)	2.835 (72.0)	.870 (22.1)	2.865 (72.8)
14, 15 (D)	.645 (16.4)	3.554 (90.3)	.700 (17.8)	3.564 (90.5)	.705 (17.9)	3.554 (90.3)	.920 (23.4)	3.564 (90.5)
16, 17 (E)	.738 (18.7)	3.664 (93.1)	.885 (22.5)	3.654 (92.8)	.732 (18.6)	3.664 (93.1)	.980 (24.9)	3.654 (92.8)
18, 19 (F)	.926 (23.5)	3.854 (97.9)	.975 (24.8)	3.824 (97.1)	.748 (19.0)	3.854 (97.9)	1.020 (25.9)	3.824 (97.1)
20, 21 (G)	.926 (23.5)	3.854 (97.9)	.975 (24.8)	3.824 (97.1)	.773 (19.6)	3.854 (97.9)	1.080 (27.4)	3.824 (97.1)
22, 23 (H)	1.020 (25.9)	4.192 (106.5)	1.125 (28.6)	4.122 (104.7)	.800 (20.3)	4.192 (106.5)	1.140 (29.0)	4.122 (104.7)
24, 25 (J)	1.020 (25.9)	4.192 (106.5)	1.125 (28.6)	4.122 (104.7)	.823 (20.9)	4.192 (106.5)	1.200 (30.5)	4.122 (104.7)

Notes

1. This table specifies standard dimensions for TopFlite's adapters. If the customer requires dimensions that vary from provided catalog dimensions, please contact your TopFlite sales representative.
2. For additional shell size dimensions, such as those for TopFlite's Micro Miniature (M&M Connector™) Series, please contact the factory for the appropriate engineering drawing.

PART NUMBER BREAKDOWN												
EXAMPLE PART NUMBER	TF	A	84	1	F	2	-08	03	-6	-A	-ZXXX	
STANDARD PREFIX												
CONNECTOR INTERFACE	A - MIL-DTL-5015, MIL-DTL-26482 SERIES II, MIL-DTL-83723 SERIES III B - MIL-DTL-26482 SERIES I C - MIL-DTL-38999 SERIES I & II D - MIL-DTL-38999 SERIES III & IV (PLEASE REFER TO PAGE 3 FOR ADDITIONAL INTERFACE CODES)											
SERIES	84											
ANGLE	1 - STRAIGHT 4 - 45 DEGREE 9 - 90 DEGREE 3 - 45 DEGREE, FULL RADIUS/SWEEPING 8 - 90 DEGREE, FULL RADIUS/SWEEPING											
MATERIAL/ FINISH	F - ALUMINUM W/ ELECTROLESS NICKEL Z - ALUMINUM W/ BLACK ZINC NICKEL A - ALUMINUM W/ BLACK ANODIZE D - ALUMINUM W/ OLIVE DRAB CADMIUM T - ALUMINUM W/ NICKEL TEFLON/PTFE K - STAINLESS W/ PASSIVATION TREATMENT (SEE PAGE 4 FOR MATERIAL AND FINISH SPECIFICATIONS & ADDITIONAL FINISHES)											
COUPLING TYPE	1 - DIRECT COUPLING 2 - SELF-LOCKING COUPLING 3 - RATCHETING COUPLING 4 - ANTI-DECOUPLING VIA WAVE SPRING											
SHELL SIZE	08 11 15 ETC.											
CABLE ENTRY	03 34 ETC. (SEE CABLE ENTRY CHART PAGE 3)											
LENGTH	1/4 INCREMENTS, FOR EXAMPLE: 3 = 0.75", 7 = 1.75", ETC. (OMIT FOR STANDARD 1.5 INCH LENGTH) (STRAIGHT ONLY)											
STRAIN RELIEF OPTION	R (SEE OPTIONS PAGE 8. OMIT FOR NONE)											
Z-CODE	Z112 Z090 Z030 ETC. (CONTACT SALES STAFF IF A Z-CODE IS REQUIRED FOR A CUSTOM CONFIGURATION/OPTION(S). OMIT FOR NONE)											

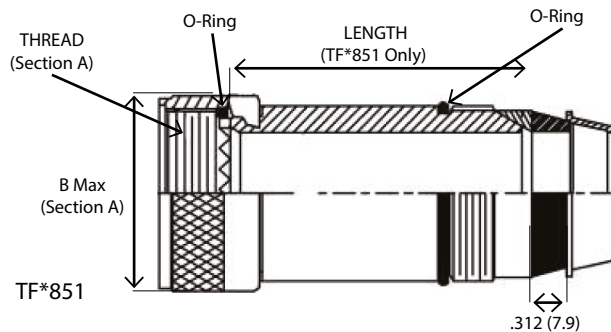
Disclaimer

All information in this catalog is believed to be reliable. Readers should independently evaluate each product to confirm suitability with their specific application. Topflite components makes no warranties as to the accuracy or completeness of the information and disclaim any liability regarding its use. Specifications are subject to change without notice. Topflite components processes or materials that do not affect compliance with any applicable specification are subject to change without notice.

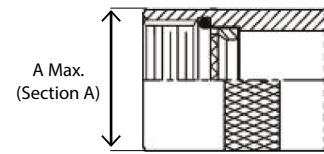
EMI/RFI ENVIRONMENTAL BACKSHELL

TF*851, TF*853, TF*854, TF*858, TF*859

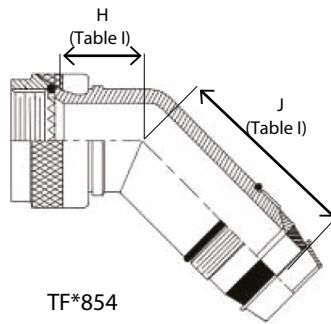
SPLASH-PROOF, OUTER SHIELD TERMINATION



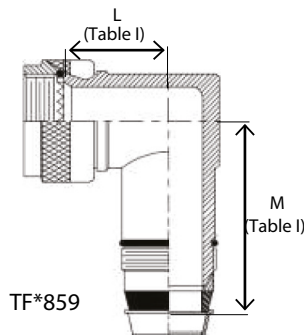
DIRECT COUPLING OPTION (STRAIGHT)



STANDARD PROFILE

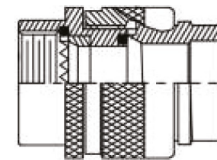


TF*854

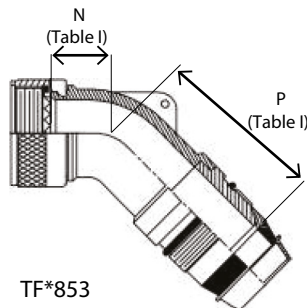


TF*859

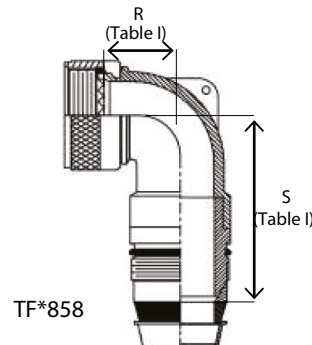
DIRECT COUPLING OPTION (45° AND 90°)



FULL-RADIUS PROFILE



TF*853



TF*858

DIRECT COUPLING OPTION (45° AND 90°)

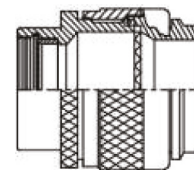


TABLE I
DIMENSIONAL CHART – 45 AND 90 DEGREE ADAPTERS

SHELL SIZE	H	J	L	M	N	P	R	S
8, 9 (A)	.398 (10.1)	2.210 (56.1)	.438 (11.1)	2.080 (52.8)	N/A	N/A	.500 (12.7)	1.698 (43.1)
10, 11 (B)	.458 (11.6)	2.270 (57.7)	.533 (13.5)	2.120 (53.8)	.520 (13.2)	1.748 (44.4)	.595 (15.1)	1.818 (46.2)
12, 13 (C)	.518 (13.2)	2.330 (59.2)	.548 (13.9)	2.090 (53.1)	.582 (14.8)	1.808 (45.9)	.610 (15.5)	1.838 (46.7)
14, 15 (D)	.588 (14.9)	2.420 (61.5)	.638 (16.2)	2.090 (53.1)	.645 (16.4)	1.898 (48.2)	.700 (17.8)	1.908 (48.5)
16, 17 (E)	.678 (17.2)	2.530 (64.3)	.823 (20.9)	2.130 (54.1)	.738 (18.7)	2.008 (51.0)	.885 (22.5)	1.998 (50.7)
18, 19 (F)	.868 (22.0)	2.720 (69.1)	.913 (23.2)	2.250 (57.2)	.926 (23.5)	2.198 (55.8)	.975 (24.8)	2.168 (55.1)
20, 21 (G)	.868 (22.0)	2.720 (69.1)	.913 (23.2)	2.180 (55.4)	.926 (23.5)	2.198 (55.8)	.975 (24.8)	2.168 (55.1)
22, 23 (H)	.958 (24.3)	2.870 (72.9)	1.063 (27.0)	2.240 (56.9)	1.020 (25.9)	2.348 (59.6)	1.125 (28.6)	2.278 (57.9)
24, 25 (J)	.958 (24.3)	2.870 (72.9)	1.063 (27.0)	2.170 (55.1)	1.020 (25.9)	2.348 (59.6)	1.125 (28.6)	2.278 (57.9)

Notes

1. This table specifies standard dimensions for TopFlite's adapters. If the customer requires dimensions that vary from provided catalog dimensions, please contact your TopFlite sales representative.
2. For additional shell size dimensions, such as those for TopFlite's Micro Miniature (M&M Connector™) Series, please contact the factory for the appropriate engineering drawing.

PART NUMBER BREAKDOWN												
EXAMPLE PART NUMBER	TF	A	85	1	F	2	-08	03	-6	-A	-ZXXX	
STANDARD PREFIX												
CONNECTOR INTERFACE	A - MIL-DTL-5015, MIL-DTL-26482 SERIES II, MIL-DTL-83723 SERIES III B - MIL-DTL-26482 SERIES I C - MIL-DTL-38999 SERIES I & II D - MIL-DTL-38999 SERIES III & IV (PLEASE REFER TO PAGE 3 FOR ADDITIONAL INTERFACE CODES)											
SERIES	85											
ANGLE	1 - STRAIGHT 4 - 45 DEGREE 9 - 90 DEGREE 3 - 45 DEGREE, FULL RADIUS/SWEEPING 8 - 90 DEGREE, FULL RADIUS/SWEEPING											
MATERIAL/ FINISH	F - ALUMINUM W/ ELECTROLESS NICKEL Z - ALUMINUM W/ BLACK ZINC NICKEL A - ALUMINUM W/ BLACK ANODIZE D - ALUMINUM W/ OLIVE DRAB CADMIUM T - ALUMINUM W/ NICKEL TEFLON/PTFE K - STAINLESS W/ PASSIVATION TREATMENT (SEE PAGE 4 FOR MATERIAL AND FINISH SPECIFICATIONS & ADDITIONAL FINISHES)											
COUPLING TYPE	1 - DIRECT COUPLING 2 - SELF-LOCKING COUPLING 3 - RATCHETING COUPLING 4 - ANTI-DECOUPLING VIA WAVE SPRING											
SHELL SIZE	08 11 15 ETC.											
CABLE ENTRY	03 34 ETC. (SEE CABLE ENTRY CHART PAGE 3)											
LENGTH	1/4 INCREMENTS, FOR EXAMPLE: 3 = 0.75", 7 = 1.75", ETC. (OMIT FOR STANDARD 1.5 INCH LENGTH) (STRAIGHT ONLY)											
STRAIN RELIEF OPTION	R (SEE OPTIONS PAGE 8. OMIT FOR NONE)											
Z-CODE	Z112 Z090 Z030 ETC. (CONTACT SALES STAFF IF A Z-CODE IS REQUIRED FOR A CUSTOM CONFIGURATION/OPTION(S). OMIT FOR NONE)											

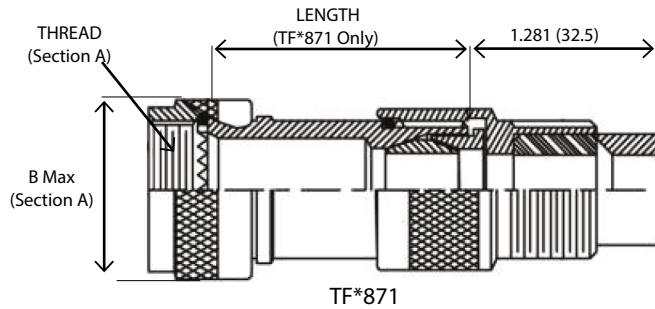
Disclaimer

All information in this catalog is believed to be reliable. Readers should independently evaluate each product to confirm suitability with their specific application. Topflite components makes no warranties as to the accuracy or completeness of the information and disclaim any liability regarding its use. Specifications are subject to change without notice. Topflite components processes or materials that do not affect compliance with any applicable specification are subject to change without notice.

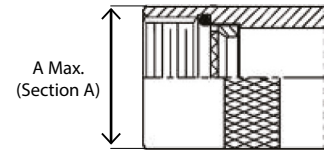
EMI/RFI ENVIRONMENTAL BACKSHELL

TF*871, TF*873, TF*874, TF*878, TF*879

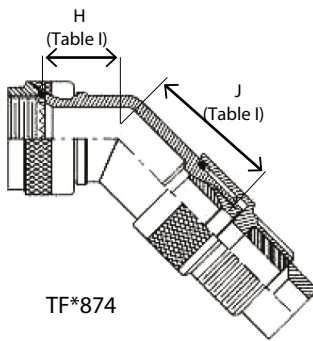
FULLY SEALED, INNER AND OUTER SHIELD TERMINATION



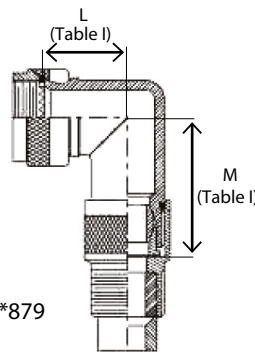
DIRECT COUPLING OPTION (STRAIGHT)



STANDARD PROFILE

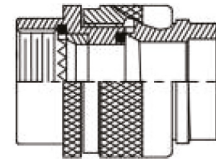


TF*874

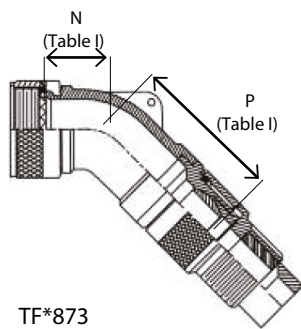


TF*879

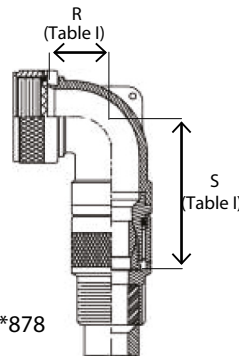
DIRECT COUPLING OPTION (45° AND 90°)



FULL-RADIUS PROFILE



TF*873



TF*878

DIRECT COUPLING OPTION (45° AND 90°)

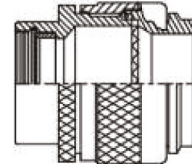


TABLE I
DIMENSIONAL CHART - 45 AND 90 DEGREE ADAPTERS

SHELL SIZE	H	J	L	M	N	P	R	S
8, 9 (A)	.639 (16.2)	1.031 (26.2)	.750 (19.1)	1.157 (29.4)	.457 (11.6)	1.760 (44.7)	.500 (12.7)	1.880 (47.8)
10, 11 (B)	.664 (16.9)	1.063 (27.0)	.810 (20.6)	1.217 (30.9)	.520 (13.2)	1.920 (48.8)	.595 (15.1)	1.990 (50.5)
12, 13 (C)	.688 (17.5)	1.094 (27.8)	.870 (22.1)	1.277 (32.4)	.582 (14.8)	1.990 (50.5)	.610 (15.5)	2.020 (51.3)
14, 15 (D)	.705 (17.9)	1.119 (28.4)	.920 (23.4)	1.347 (34.2)	.645 (16.4)	2.144 (54.5)	.700 (17.8)	2.154 (54.7)
16, 17 (E)	.732 (18.6)	1.147 (29.1)	.980 (24.9)	1.407 (35.7)	.738 (18.7)	2.254 (57.3)	.885 (22.5)	2.244 (57.0)
18, 19 (F)	.748 (19.0)	1.157 (29.4)	1.020 (25.9)	1.427 (36.2)	.926 (23.5)	2.444 (62.1)	.975 (24.8)	2.414 (61.3)
20, 21 (G)	.773 (19.6)	1.177 (29.9)	1.080 (27.4)	1.487 (37.8)	.926 (23.5)	2.444 (62.1)	.975 (24.8)	2.414 (61.3)
22, 23 (H)	.800 (20.3)	1.217 (30.9)	1.140 (29.0)	1.567 (39.8)	1.020 (25.9)	2.657 (67.5)	1.125 (28.6)	2.587 (65.7)
24, 25 (J)	.823 (20.9)	1.247 (31.7)	1.200 (30.5)	1.637 (41.6)	1.020 (25.9)	2.657 (67.5)	1.125 (28.6)	2.587 (65.7)

Notes

1. This table specifies standard dimensions for TopFlite's adapters. If the customer requires dimensions that vary from provided catalog dimensions, please contact your TopFlite sales representative.
2. For additional shell size dimensions, such as those for TopFlite's Micro Miniature (M&M Connector™) Series, please contact the factory for the appropriate engineering drawing.

PART NUMBER BREAKDOWN												
EXAMPLE PART NUMBER	TF	A	87	1	F	2	-08	03	-6	-A	-ZXXX	
STANDARD PREFIX												
CONNECTOR INTERFACE	A - MIL-DTL-5015, MIL-DTL-26482 SERIES II, MIL-DTL-83723 SERIES III B - MIL-DTL-26482 SERIES I C - MIL-DTL-38999 SERIES I & II D - MIL-DTL-38999 SERIES III & IV (PLEASE REFER TO PAGE 3 FOR ADDITIONAL INTERFACE CODES)											
SERIES	87											
ANGLE	1 - STRAIGHT 4 - 45 DEGREE 9 - 90 DEGREE 3 - 45 DEGREE, FULL RADIUS/SWEEPING 8 - 90 DEGREE, FULL RADIUS/SWEEPING											
MATERIAL/ FINISH	F - ALUMINUM W/ ELECTROLESS NICKEL Z - ALUMINUM W/ BLACK ZINC NICKEL A - ALUMINUM W/ BLACK ANODIZE D - ALUMINUM W/ OLIVE DRAB CADMIUM T - ALUMINUM W/ NICKEL TEFLON/PTFE K - STAINLESS W/ PASSIVATION TREATMENT (SEE PAGE 4 FOR MATERIAL AND FINISH SPECIFICATIONS & ADDITIONAL FINISHES)											
COUPLING TYPE	1 - DIRECT COUPLING 2 - SELF-LOCKING COUPLING 3 - RATCHETING COUPLING 4 - ANTI-DECOUPLING VIA WAVE SPRING											
SHELL SIZE	08 11 15 ETC.											
CABLE ENTRY	03 34 ETC. (SEE CABLE ENTRY CHART PAGE 3)											
LENGTH	1/4 INCREMENTS, FOR EXAMPLE: 3 = 0.75", 7 = 1.75", ETC. (OMIT FOR STANDARD 1.5 INCH LENGTH) (STRAIGHT ONLY)											
STRAIN RELIEF OPTION	R (SEE OPTIONS PAGE 8. OMIT FOR NONE)											
Z-CODE	Z112 Z090 Z030 ETC. (CONTACT SALES STAFF IF A Z-CODE IS REQUIRED FOR A CUSTOM CONFIGURATION/OPTION(S). OMIT FOR NONE)											

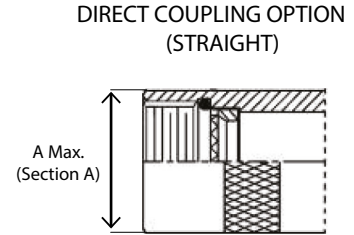
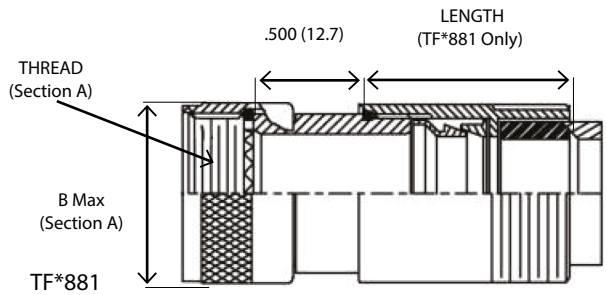
Disclaimer

All information in this catalog is believed to be reliable. Readers should independently evaluate each product to confirm suitability with their specific application. Topflite components makes no warranties as to the accuracy or completeness of the information and disclaim any liability regarding its use. Specifications are subject to change without notice. Topflite components processes or materials that do not affect compliance with any applicable specification are subject to change without notice.

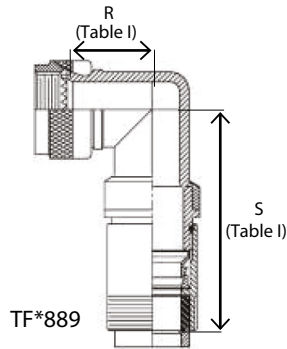
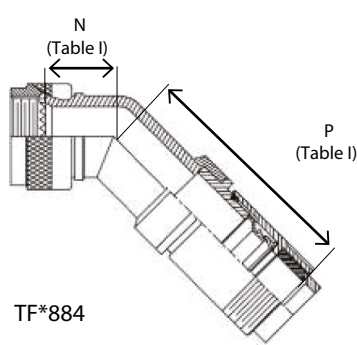
EMI/RFI ENVIRONMENTAL BACKSHELL

TF*881, TF*883, TF*884, TF*888, TF*889

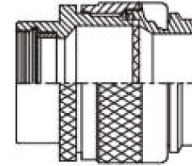
FULLY SEALED, INNER AND OUTER SHIELD TERMINATION



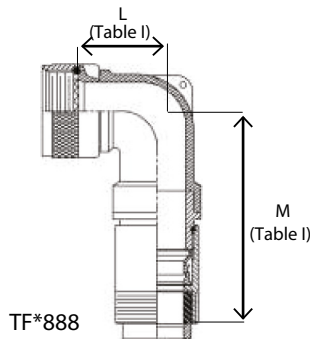
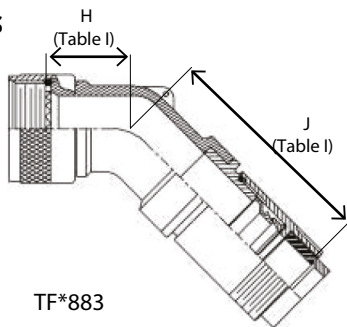
STANDARD PROFILE



DIRECT COUPLING OPTION (45° AND 90°)



FULL-RADIUS PROFILE



DIRECT COUPLING OPTION (45° AND 90°)

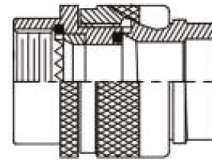


TABLE I
DIMENSIONAL CHART – 45 AND 90 DEGREE ADAPTERS

SHELL SIZE	H	J	L	M	N	P	R	S
8, 9 (A)	.457 (11.6)	3.460 (87.9)	.500 (12.7)	3.460 (87.9)	.639 (16.2)	3.460 (87.9)	.750 (19.1)	3.460 (87.9)
10, 11 (B)	.520 (13.2)	3.520 (89.4)	.595 (15.1)	3.590 (91.2)	.664 (16.9)	3.520 (89.4)	.810 (20.6)	3.590 (91.2)
12, 13 (C)	.582 (14.8)	3.580 (90.9)	.610 (15.5)	3.610 (91.7)	.688 (17.5)	3.580 (90.9)	.870 (22.1)	3.610 (91.7)
14, 15 (D)	.645 (16.4)	3.900 (99.1)	.700 (17.8)	3.910 (99.3)	.705 (17.9)	3.900 (99.1)	.920 (23.4)	3.910 (99.3)
16, 17 (E)	.738 (18.7)	4.010 (101.9)	.885 (22.5)	4.000(101.6)	.732 (18.6)	4.010 (101.9)	.980 (24.9)	4.000(101.6)
18, 19 (F)	.926 (23.5)	4.200 (106.7)	.975 (24.8)	4.170(105.9)	.748 (19.0)	4.200 (106.7)	1.020 (25.9)	4.170(105.9)
20, 21 (G)	.926 (23.5)	4.200 (106.7)	.975 (24.8)	4.170(105.9)	.773 (19.6)	4.200 (106.7)	1.080 (27.4)	4.170(105.9)
22, 23 (H)	1.020 (25.9)	4.350 (110.5)	1.125 (28.6)	4.280(108.7)	.800 (20.3)	4.350 (110.5)	1.140 (29.0)	4.280(108.7)
24, 25 (J)	1.020 (25.9)	4.350 (110.5)	1.125 (28.6)	4.280(108.7)	.823 (20.9)	4.350 (110.5)	1.200 (30.5)	4.280(108.7)

Notes

1. This table specifies standard dimensions for TopFlite's adapters. If the customer requires dimensions that vary from provided catalog dimensions, please contact your TopFlite sales representative.
2. For additional shell size dimensions, such as those for TopFlite's Micro Miniature (M&M Connector™) Series, please contact the factory for the appropriate engineering drawing.

PART NUMBER BREAKDOWN												
EXAMPLE PART NUMBER	TF	A	88	1	F	2	-08	03	-6	-A	-ZXXX	
STANDARD PREFIX												
CONNECTOR INTERFACE	A - MIL-DTL-5015, MIL-DTL-26482 SERIES II, MIL-DTL-83723 SERIES III B - MIL-DTL-26482 SERIES I C - MIL-DTL-38999 SERIES I & II D - MIL-DTL-38999 SERIES III & IV (PLEASE REFER TO PAGE 3 FOR ADDITIONAL INTERFACE CODES)											
SERIES	88											
ANGLE	1 - STRAIGHT 4 - 45 DEGREE 9 - 90 DEGREE 3 - 45 DEGREE, FULL RADIUS/SWEEPING 8 - 90 DEGREE, FULL RADIUS/SWEEPING											
MATERIAL/ FINISH	F - ALUMINUM W/ ELECTROLESS NICKEL Z - ALUMINUM W/ BLACK ZINC NICKEL A - ALUMINUM W/ BLACK ANODIZE D - ALUMINUM W/ OLIVE DRAB CADMIUM T - ALUMINUM W/ NICKEL TEFLON/PTFE K - STAINLESS W/ PASSIVATION TREATMENT (SEE PAGE 4 FOR MATERIAL AND FINISH SPECIFICATIONS & ADDITIONAL FINISHES)											
COUPLING TYPE	1 - DIRECT COUPLING 2 - SELF-LOCKING COUPLING 3 - RATCHETING COUPLING 4 - ANTI-DECOUPLING VIA WAVE SPRING											
SHELL SIZE	08 11 15 ETC.											
CABLE ENTRY	03 34 ETC. (SEE CABLE ENTRY CHART PAGE 3)											
LENGTH	1/4 INCREMENTS, FOR EXAMPLE: 3 = 0.75", 7 = 1.75", ETC. (OMIT FOR STANDARD 1.5 INCH LENGTH) (STRAIGHT ONLY)											
STRAIN RELIEF OPTION	R (SEE OPTIONS PAGE 8. OMIT FOR NONE)											
Z-CODE	Z112 Z090 Z030 ETC. (CONTACT SALES STAFF IF A Z-CODE IS REQUIRED FOR A CUSTOM CONFIGURATION/OPTION(S). OMIT FOR NONE)											

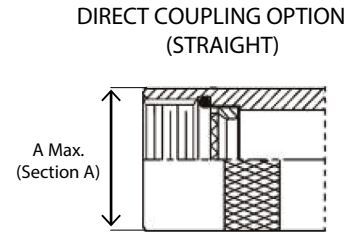
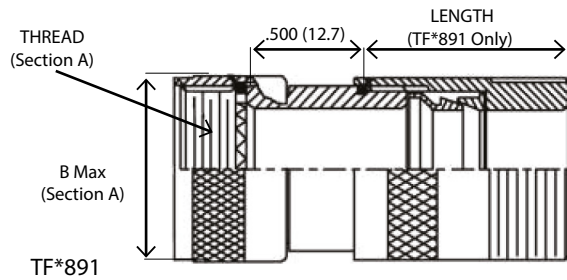
Disclaimer

All information in this catalog is believed to be reliable. Readers should independently evaluate each product to confirm suitability with their specific application. Topflite components makes no warranties as to the accuracy or completeness of the information and disclaim any liability regarding its use. Specifications are subject to change without notice. Topflite components processes or materials that do not affect compliance with any applicable specification are subject to change without notice.

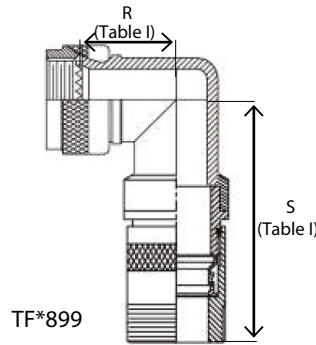
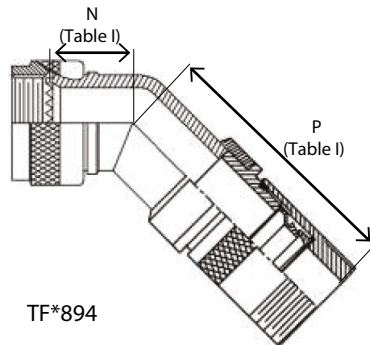
EMI/RFI ENVIRONMENTAL BACKSHELL SERIES

TF*891, TF*893, TF*894, TF*898, TF*899

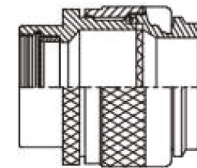
FULLY SEALED, INNER AND OUTER SHIELD TERMINATION



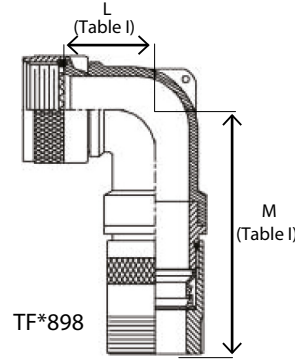
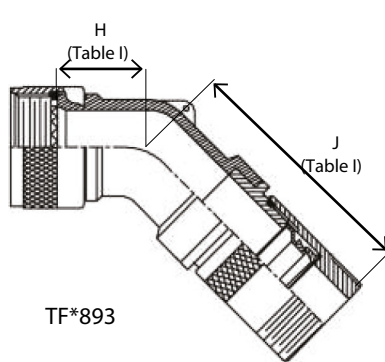
STANDARD PROFILE



DIRECT COUPLING OPTION (45° AND 90°)



FULL-RADIUS PROFILE



DIRECT COUPLING OPTION (45° AND 90°)

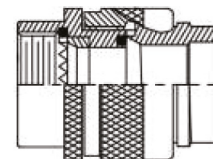


TABLE I
DIMENSIONAL CHART - 45 AND 90 DEGREE ADAPTERS

SHELL SIZE	H	J	L	M	N	P	R	S
8, 9 (A)	.457 (11.6)	1.780 (45.2)	.500 (12.7)	1.780 (45.2)	.639 (16.2)	1.780 (45.2)	.750 (19.1)	1.780 (45.2)
10, 11 (B)	.520 (13.2)	1.840 (46.7)	.595 (15.1)	1.910 (48.5)	.664 (16.9)	1.840 (46.7)	.810 (20.6)	1.910 (48.5)
12, 13 (C)	.582 (14.8)	1.900 (48.3)	.610 (15.5)	1.930 (49.0)	.688 (17.5)	1.900 (48.3)	.870 (22.1)	1.930 (49.0)
14, 15 (D)	.645 (16.4)	2.220 (56.4)	.700 (17.8)	2.230 (56.6)	.705 (17.9)	2.220 (56.4)	.920 (23.4)	2.230 (56.6)
16, 17 (E)	.738 (18.7)	2.330 (59.2)	.885 (22.5)	2.320 (58.9)	.732 (18.6)	2.330 (59.2)	.980 (24.9)	2.320 (58.9)
18, 19 (F)	.926 (23.5)	2.520 (64.0)	.975 (24.8)	2.490 (63.2)	.748 (19.0)	2.520 (64.0)	1.020 (25.9)	2.490 (63.2)
20, 21 (G)	.926 (23.5)	2.520 (64.0)	.975 (24.8)	2.490 (63.2)	.773 (19.6)	2.520 (64.0)	1.080 (27.4)	2.490 (63.2)
22, 23 (H)	1.020 (25.9)	2.670 (67.8)	1.125 (28.6)	2.600 (66.0)	.800 (20.3)	2.670 (67.8)	1.140 (29.0)	2.600 (66.0)
24, 25 (J)	1.020 (25.9)	2.670 (67.8)	1.125 (28.6)	2.600 (66.0)	.823 (20.9)	2.670 (67.8)	1.200 (30.5)	2.600 (66.0)

Notes

1. This table specifies standard dimensions for TopFlite's adapters. If the customer requires dimensions that vary from provided catalog dimensions, please contact your TopFlite sales representative.
2. For additional shell size dimensions, such as those for TopFlite's Micro Miniature (M&M Connector™) Series, please contact the factory for the appropriate engineering drawing.

PART NUMBER BREAKDOWN												
EXAMPLE PART NUMBER	TF	A	89	1	F	2	-08	03	-6	-A	-ZXXX	
STANDARD PREFIX												
CONNECTOR INTERFACE	A - MIL-DTL-5015, MIL-DTL-26482 SERIES II, MIL-DTL-83723 SERIES III B - MIL-DTL-26482 SERIES I C - MIL-DTL-38999 SERIES I & II D - MIL-DTL-38999 SERIES III & IV (PLEASE REFER TO PAGE 3 FOR ADDITIONAL INTERFACE CODES)											
SERIES	89											
ANGLE	1 - STRAIGHT 4 - 45 DEGREE 9 - 90 DEGREE 3 - 45 DEGREE, FULL RADIUS/SWEEPING 8 - 90 DEGREE, FULL RADIUS/SWEEPING											
MATERIAL/ FINISH	F - ALUMINUM W/ ELECTROLESS NICKEL Z - ALUMINUM W/ BLACK ZINC NICKEL A - ALUMINUM W/ BLACK ANODIZE D - ALUMINUM W/ OLIVE DRAB CADMIUM T - ALUMINUM W/ NICKEL TEFLON/PTFE K - STAINLESS W/ PASSIVATION TREATMENT (SEE PAGE 4 FOR MATERIAL AND FINISH SPECIFICATIONS & ADDITIONAL FINISHES)											
COUPLING TYPE	1 - DIRECT COUPLING 2 - SELF-LOCKING COUPLING 3 - RATCHETING COUPLING 4 - ANTI-DECOUPLING VIA WAVE SPRING											
SHELL SIZE	08 11 15 ETC.											
CABLE ENTRY	03 34 ETC. (SEE CABLE ENTRY CHART PAGE 3)											
LENGTH	1/4 INCREMENTS, FOR EXAMPLE: 3 = 0.75", 7 = 1.75", ETC. (OMIT FOR STANDARD 1.5 INCH LENGTH) (STRAIGHT ONLY)											
STRAIN RELIEF OPTION	R (SEE OPTIONS PAGE 8. OMIT FOR NONE)											
Z-CODE	Z112 Z090 Z030 ETC. (CONTACT SALES STAFF IF A Z-CODE IS REQUIRED FOR A CUSTOM CONFIGURATION/OPTION(S). OMIT FOR NONE)											

Disclaimer

All information in this catalog is believed to be reliable. Readers should independently evaluate each product to confirm suitability with their specific application. Topflite components makes no warranties as to the accuracy or completeness of the information and disclaim any liability regarding its use. Specifications are subject to change without notice. Topflite components processes or materials that do not affect compliance with any applicable specification are subject to change without notice.