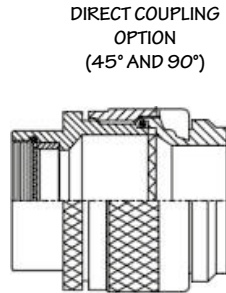
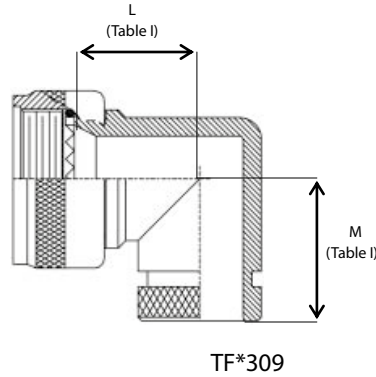
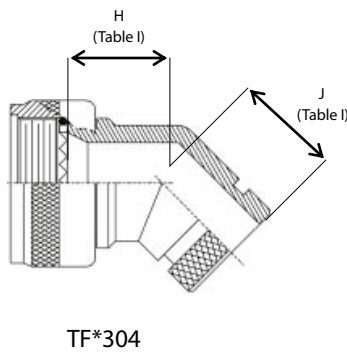
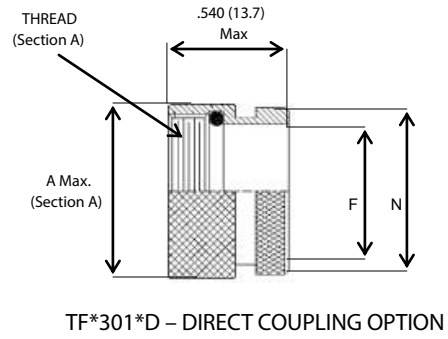
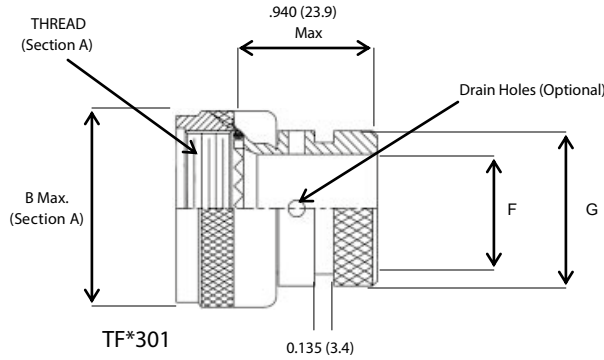


# SHRINK BOOT ADAPTERS



THE SHRINK BOOT ADAPTER IS A BACKSHELL THAT ATTACHES TO A CONNECTOR'S ACCESSORY THREADS TO PROVIDE THE NECESSARY GRIPPING AREA FOR A SHRINK BOOT. THE SHRINK BOOT AND ADAPTER ARE SLIPPED OVER THE CABLE AND AFTER WIRING IS COMPLETED, THE ADAPTER IS ATTACHED TO THE CONNECTOR. THE SHRINK BOOT IS POSITIONED OVER THE ADAPTER AND THE JACKETED CABLE. AS HEAT IS APPLIED TO THE SHRINK BOOT IT SHRINKS TIGHTLY AROUND THE ADAPTER AND CABLE FORMING AN ENVIRONMENTAL SEAL. TOPFLITE OFFERS A NUMBER OF SHRINK BOOT TERMINATION VARIATIONS INCLUDING SHIELD SOCK, STAINLESS STEEL TERMINATION BAND, STAINLESS STEEL CONSTANT FORCE SPRING AND LIGHT BULB THREAD.

SERIES	DESCRIPTION	PAGE
30	O-RING SEALED SHRINK BOOT ADAPTER	14
31	LAMP BASE THREAD EMI/RFI SHRINK BOOT ADAPTER	16
35	SHIELD SOCK SHRINK BOOT ADAPTER	18
40	SPRING OR BAND TERMINATION ADAPTER	20
41	MINI-ADAPTER FOR SPRING OR BAND TERMINATION	22
43	CABLE SEALING BAND IN A CAN ADAPTER	24
46	EMI/RFI SINGLE SPRING OR BAND TERMINATION SHRINK BOOT ADAPTER	26
47	EMI/RFI DUAL SPRING OR BAND TERMINATION SHRINK BOOT ADAPTER	28
48	BAND TERMINATION SHRINK BOOT ADAPTER (BOTH INNER AND OUTER SHIELD TERMINATION)	30
49	TINEL-LOCK® RING TERMINATED SHRINK BOOT ADAPTER	32



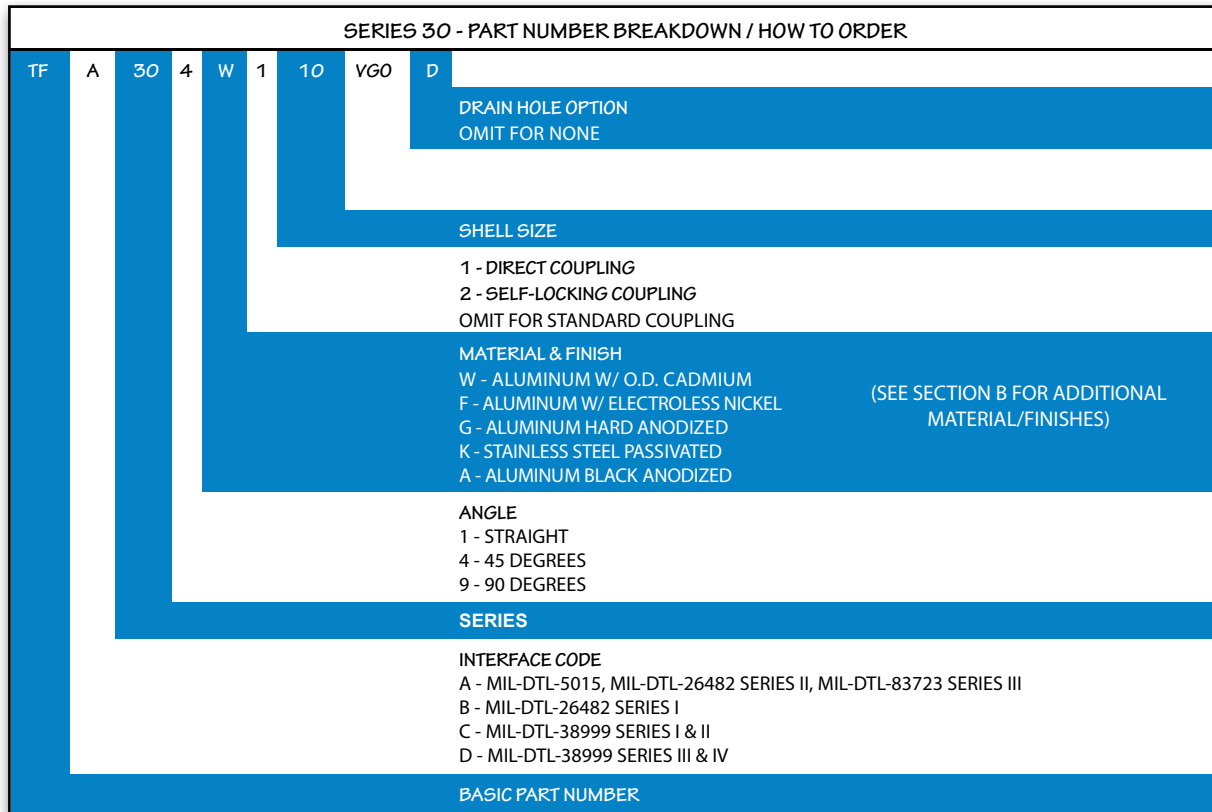
O-Ring Not supplied with 'A' Interface Adapter, or when Drain Hole option is used

TABLE I							
SHELL SIZE	F MAX (Cable Entry)	G MAX	H MAX	J MAX	L MAX	M MAX	N MAX
8, 9 (A)	.250 (6.4)	.533 (13.5)	.639 (16.2)	.810 (20.6)	.750 (19.1)	.920 (23.4)	.688 (17.5)
10, 11 (B)	.355 (9.0)	.605 (15.4)	.664 (16.9)	.840 (21.3)	.810 (20.6)	.980 (24.9)	.803 (20.4)
12, 13 (C)	.491 (12.5)	.774 (19.7)	.688 (17.5)	.860 (21.8)	.870 (22.1)	1.040 (26.4)	.938 (23.8)
14, 15 (D)	.565 (14.4)	.838 (21.3)	.705 (17.9)	.890 (22.6)	.920 (23.4)	1.110 (28.2)	1.063 (27.0)
16, 17 (E)	.690 (17.5)	.963 (24.5)	.732 (18.6)	.910 (23.1)	.980 (24.9)	1.170 (29.7)	1.238 (31.4)
18, 19 (F)	.769 (19.5)	1.042 (26.5)	.748 (19.0)	.920 (23.4)	1.020 (25.9)	1.190 (30.2)	1.310 (33.3)
20, 21 (G)	.894 (22.7)	1.217 (30.9)	.773 (19.6)	.940 (23.9)	1.080 (27.4)	1.250 (31.8)	1.436 (36.5)
22, 23 (H)	1.019 (25.9)	1.355 (34.4)	.800 (20.3)	.980 (24.9)	1.140 (29.0)	1.330 (33.8)	1.560 (39.6)
24, 25 (J)	1.134 (28.8)	1.443 (36.7)	.823 (20.9)	1.010 (25.7)	1.200 (30.5)	1.400 (35.6)	1.686 (42.8)
28	1.369 (34.8)	1.709 (43.4)	1.041 (26.4)	1.180 (30.0)	1.480 (37.6)	1.640 (41.7)	2.062 (52.4)
32	1.615 (41.0)	1.919 (48.7)	1.092 (27.7)	1.370 (34.8)	1.610 (40.9)	1.880 (47.8)	2.312 (58.7)

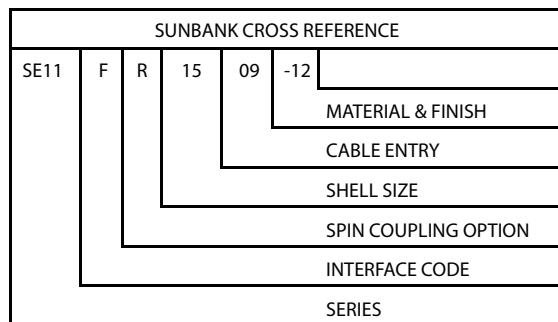
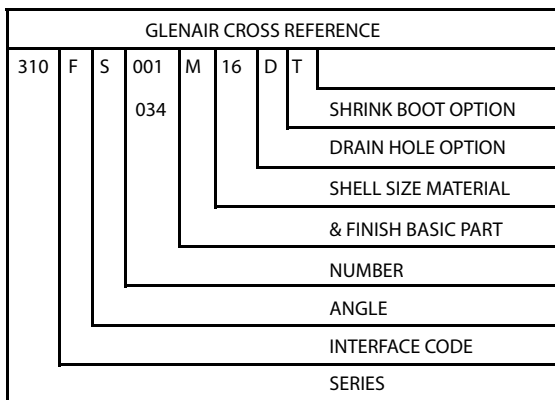


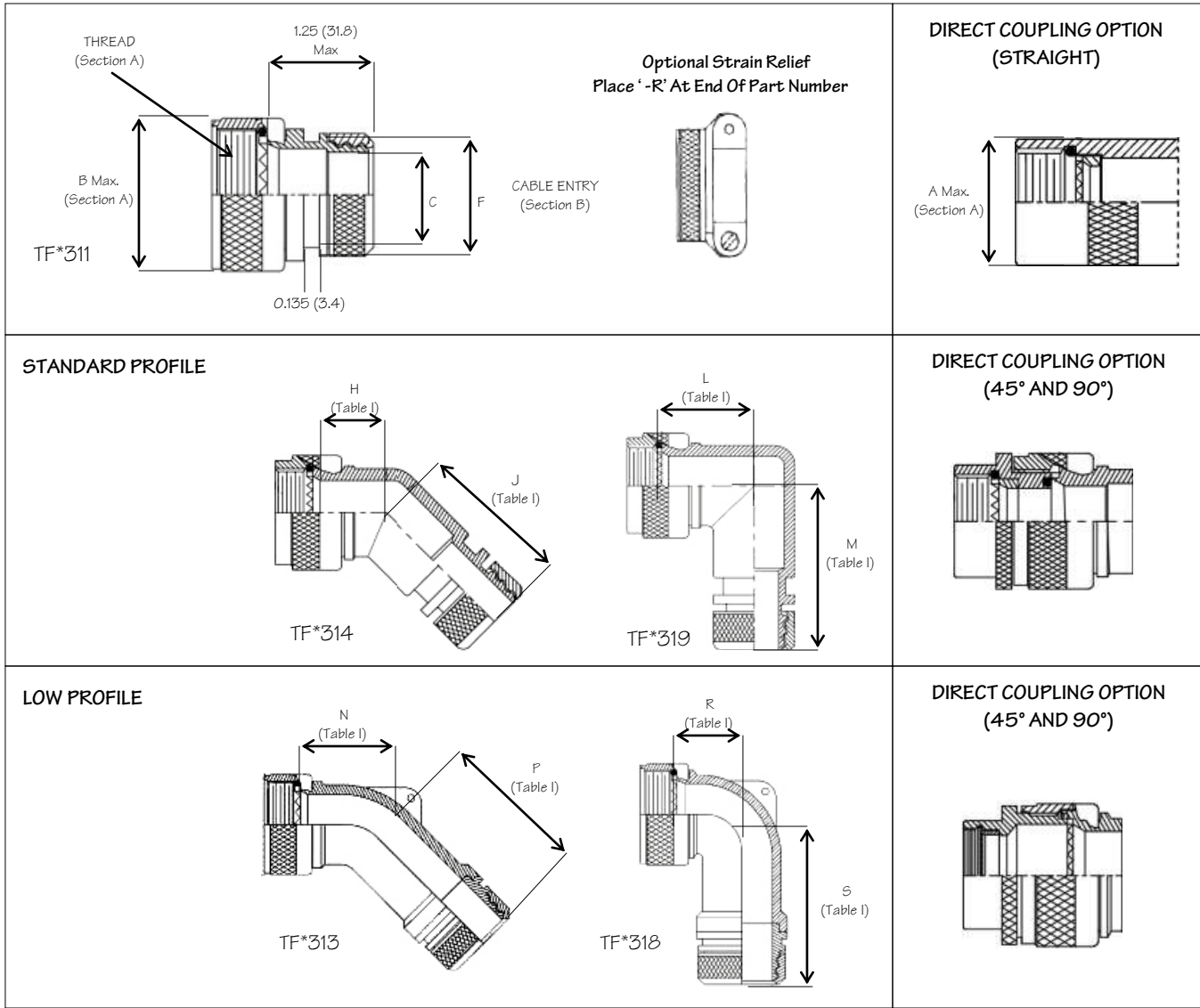
**O-RING SEALED SHRINK BOOT ADAPTER**  
**TF\*301, TF\*304, TF\*309**  
**PART NUMBER BREAKDOWN & CROSS REFERENCE**

**SERIES**  
**30**



CROSS REFERENCE INFORMATION - FOR COMPLETE BREAKDOWN SEE APPENDIX A





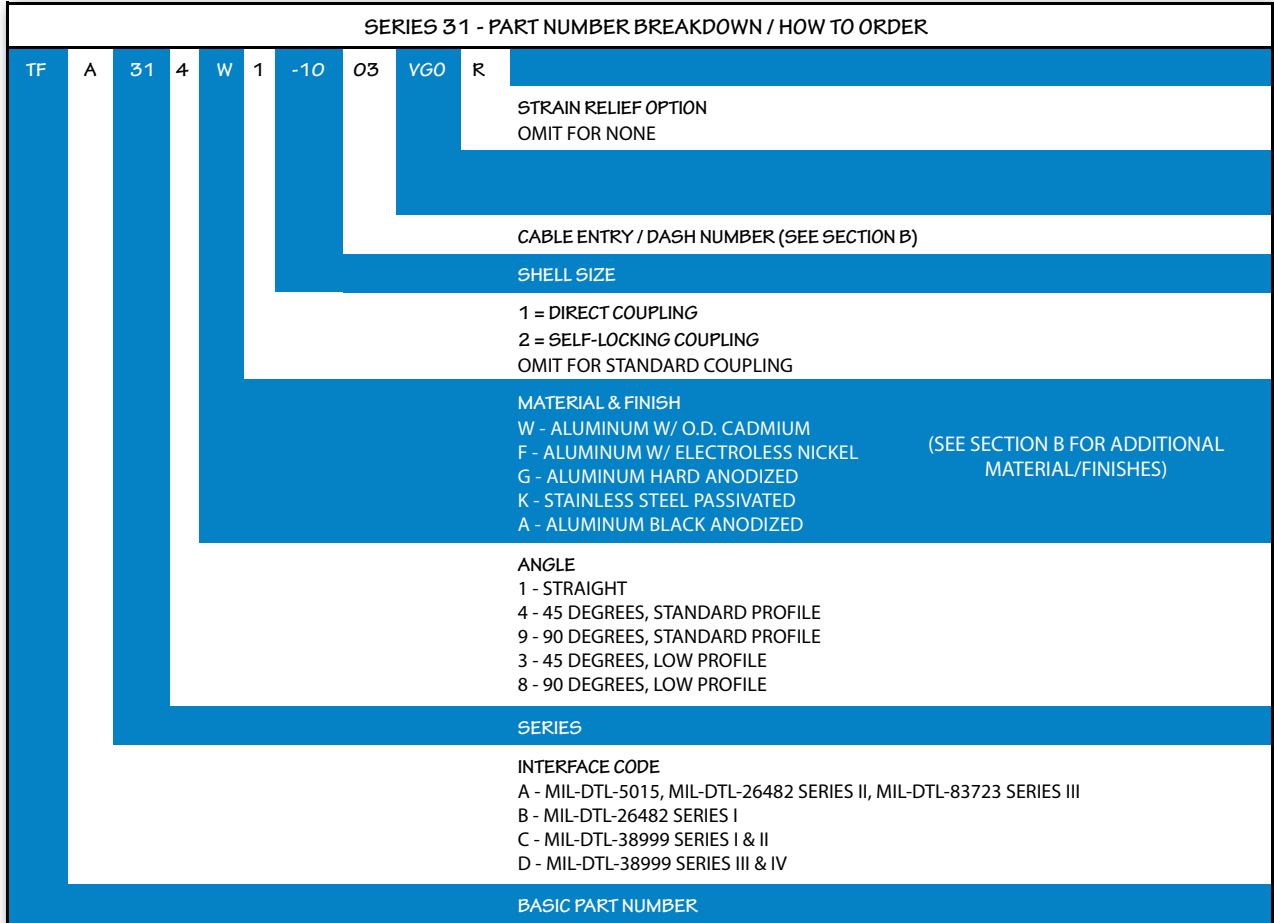
**TABLE I**  
**DIMENSIONAL CHART - 45 AND 90 DEGREE ADAPTERS**

SHELL SIZE	H MAX	J MAX	L MAX	M MAX	N MAX	P MAX	R MAX	S MAX
8, 9 (A)	.830 (21.1)	1.045 (26.5)	.940 (23.9)	1.155 (29.3)	.457 (11.6)	1.630 (41.4)	.500 (12.7)	1.640 (41.7)
10, 11 (B)	.860 (21.8)	1.075 (27.3)	1.010 (25.7)	1.225 (31.1)	.520 (13.2)	1.690 (42.9)	.595 (15.1)	1.760 (44.7)
12, 13 (C)	.882 (22.4)	1.097 (27.9)	1.070 (27.2)	1.285 (32.6)	.582 (14.8)	1.750 (44.5)	.610 (15.5)	1.780 (45.2)
14, 15 (D)	.900 (22.9)	1.125 (28.6)	1.130 (28.7)	1.345 (34.2)	.645 (16.4)	1.840 (46.7)	.700 (17.8)	1.850 (47.0)
16, 17 (E)	.930 (23.6)	1.145 (29.1)	1.190 (30.2)	1.405 (35.7)	.738 (18.7)	1.950 (49.5)	.885 (22.5)	1.940 (49.3)
18, 19 (F)	.950 (24.1)	1.165 (29.6)	1.240 (31.5)	1.455 (37.0)	.926 (23.5)	2.140 (54.4)	.975 (24.8)	2.110 (53.6)
20, 21 (G)	.980 (24.9)	1.195 (30.4)	1.310 (33.3)	1.525 (38.7)	.926 (23.5)	2.140 (54.4)	.975 (24.8)	2.110 (53.6)
22, 23 (H)	1.000 (25.4)	1.215 (30.9)	1.360 (34.5)	1.575 (40.0)	1.020 (25.9)	2.290 (58.2)	1.125 (28.6)	2.220 (56.4)
24, 25 (J)	1.030 (26.2)	1.245 (31.6)	1.430 (36.3)	1.645 (41.8)	1.020 (25.9)	2.290 (58.2)	1.125 (28.6)	2.220 (56.4)

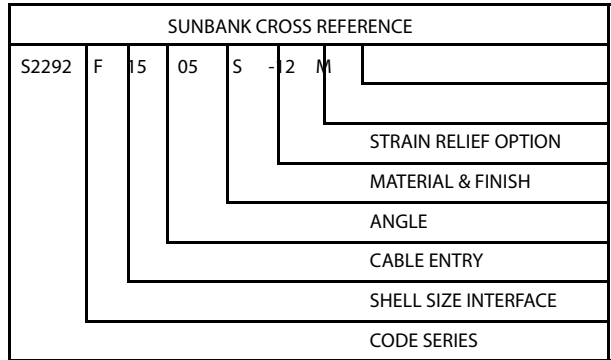
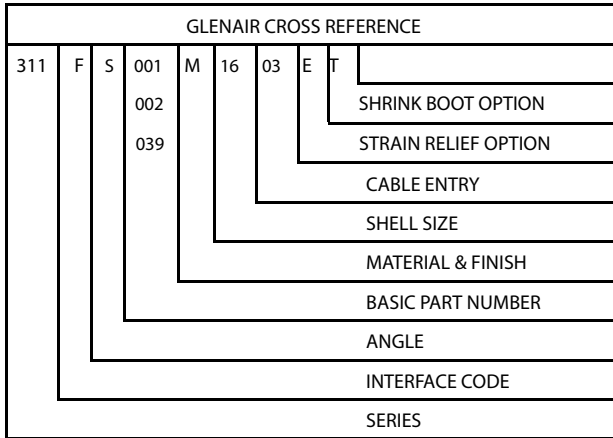


**LAMP BASE THREAD EMI/RFI SHRINK BOOT ADAPTER**  
**TF\*311, TF\*313, TF\*314, TF\*318, TF\*319**  
**PART NUMBER BREAKDOWN & CROSS REFERENCE**

**SERIES**  
**31**

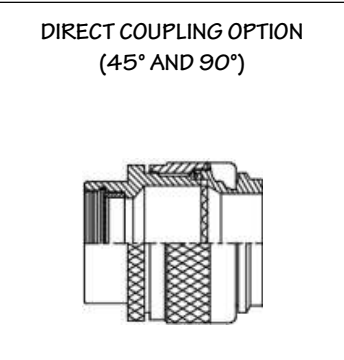
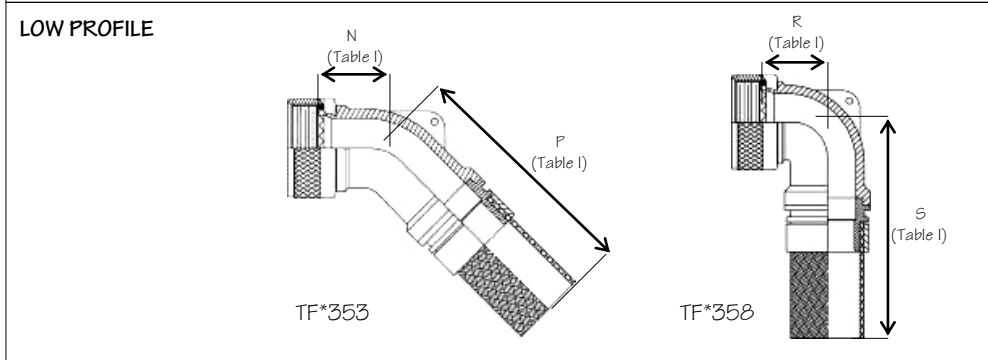
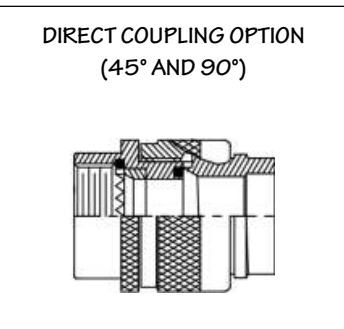
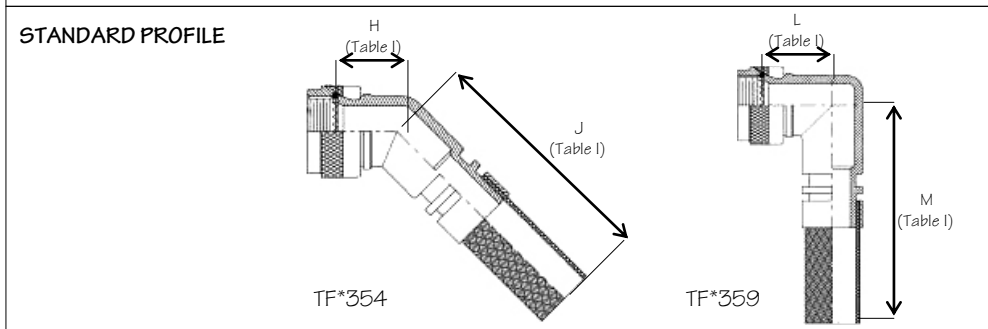
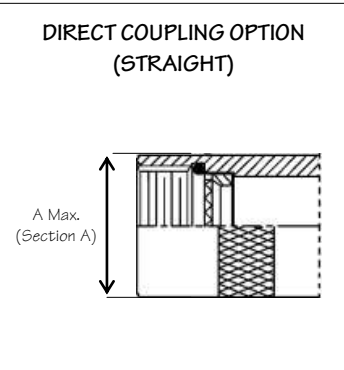
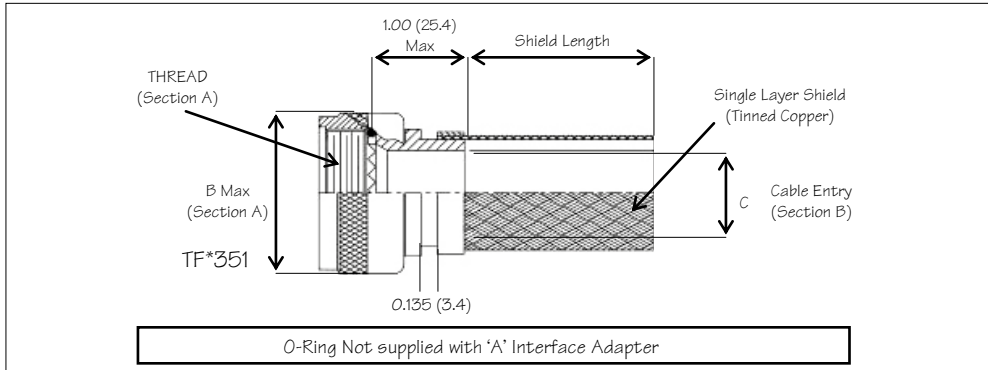


CROSS REFERENCE INFORMATION - FOR COMPLETE BREAKDOWN SEE APPENDIX A



**DISCLAIMER**

ALL INFORMATION IN THIS CATALOG IS BELIEVED TO BE RELIABLE. READERS SHOULD INDEPENDENTLY EVALUATE EACH PRODUCT TO CONFIRM SUITABILITY WITH HIS/HER SPECIFIC APPLICATION. TOPFLITE COMPONENTS MAKES NO WARRANTIES AS TO THE ACCURACY OR COMPLETENESS OF THE INFORMATION AND DISCLAIM ANY LIABILITY REGARDING ITS USE. SPECIFICATIONS ARE SUBJECT TO CHANGE WITHOUT NOTICE. TOPFLITE COMPONENTS PROCESSES OR MATERIALS THAT DO NOT AFFECT COMPLIANCE WITH ANY APPLICABLE SPECIFICATION ARE SUBJECT TO CHANGE WITHOUT NOTICE.



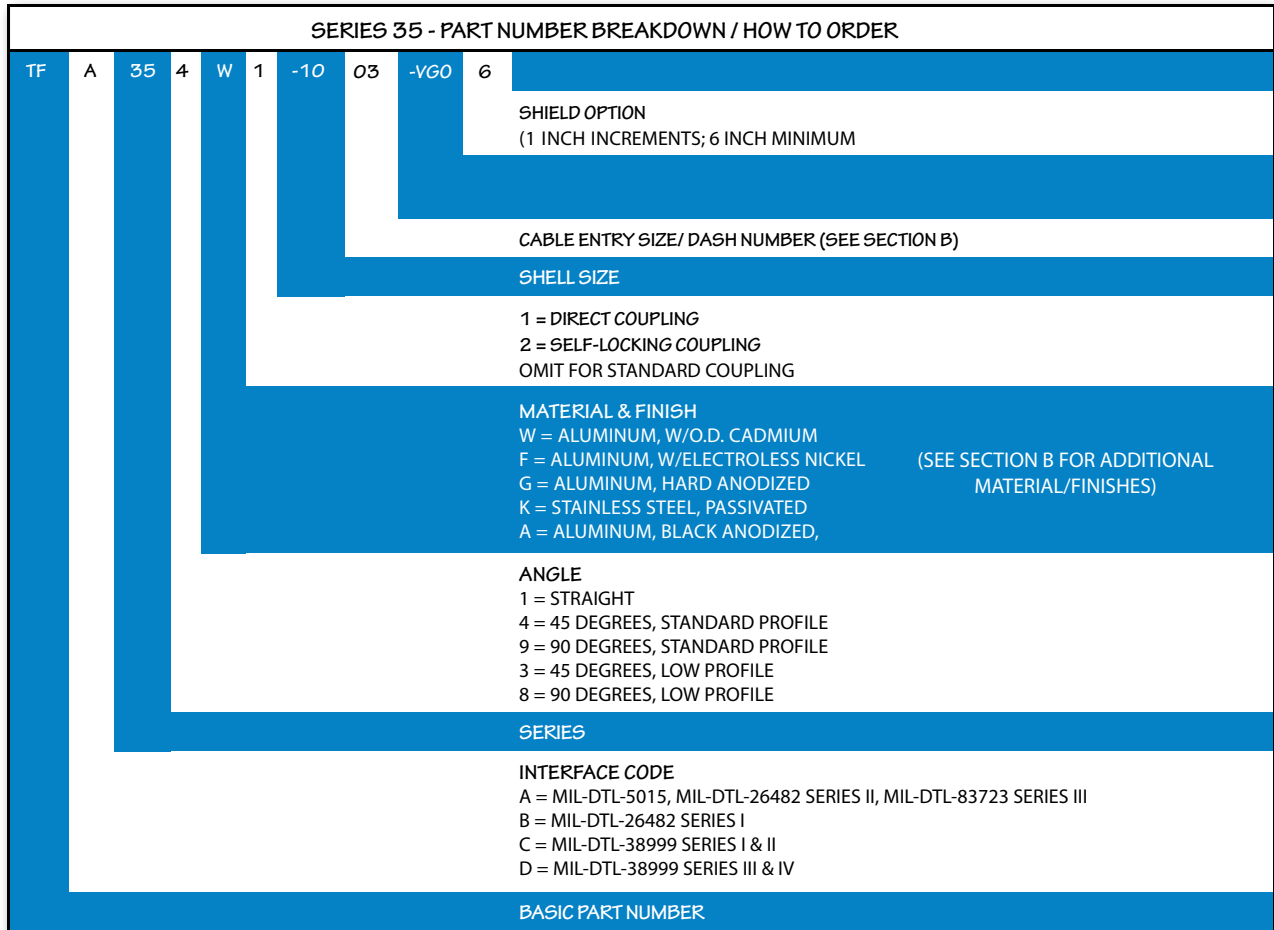
**TABLE I**  
**DIMENSIONAL CHART - 45 AND 90 DEGREE ADAPTERS**

SHELL SIZE	H MAX	J MAX	L MAX	M MAX	N MAX	P MAX	R MAX	S MAX
8, 9 (A)	.830 (21.1)	1.045 (26.5)	.940 (23.9)	1.155 (29.3)	.457 (11.6)	1.710 (43.4)	.500 (12.7)	1.730 (43.9)
10, 11 (B)	.860 (21.8)	1.075 (27.3)	1.010 (25.7)	1.225 (31.1)	.520 (13.2)	1.770 (45.0)	.595 (15.1)	1.850 (47.0)
12, 13 (C)	.882 (22.4)	1.097 (27.9)	1.070 (27.2)	1.285 (32.6)	.582 (14.8)	1.830 (46.5)	.610 (15.5)	1.870 (47.5)
14, 15 (D)	.900 (22.9)	1.125 (28.6)	1.130 (28.7)	1.345 (34.2)	.645 (16.4)	1.920 (48.8)	.700 (17.8)	1.940 (49.3)
16, 17 (E)	.930 (23.6)	1.145 (29.1)	1.190 (30.2)	1.405 (35.7)	.738 (18.7)	2.030 (51.6)	.885 (22.5)	2.030 (51.6)
18, 19 (F)	.950 (24.1)	1.165 (29.6)	1.240 (31.5)	1.455 (37.0)	.926 (23.5)	2.220 (56.4)	.975 (24.8)	2.200 (55.9)
20, 21 (G)	.980 (24.9)	1.195 (30.4)	1.310 (33.3)	1.525 (38.7)	.926 (23.5)	2.220 (56.4)	.975 (24.8)	2.200 (55.9)
22, 23 (H)	1.000 (25.4)	1.215 (30.9)	1.360 (34.5)	1.575 (40.0)	1.020 (25.9)	2.370 (60.2)	1.125 (28.6)	2.310 (58.7)
24, 25 (J)	1.030 (26.2)	1.245 (31.6)	1.430 (36.3)	1.645 (41.8)	1.020 (25.9)	2.370 (60.2)	1.125 (28.6)	2.310 (58.7)
28	1.145 (29.1)	2.420 (61.5)	1.225 (31.1)	2.480 (63.0)	1.145 (29.1)	2.420 (61.5)	1.225 (31.1)	2.480 (63.0)
32	1.207 (30.7)	2.520 (64.0)	1.575 (40.0)	2.730 (69.3)	1.207 (30.7)	2.520 (64.0)	1.575 (40.0)	2.730 (69.3)
36	1.238 (31.4)	2.610 (66.3)	1.775 (45.1)	2.730 (69.3)	1.238 (31.4)	2.610 (66.3)	1.775 (45.1)	2.730 (69.3)

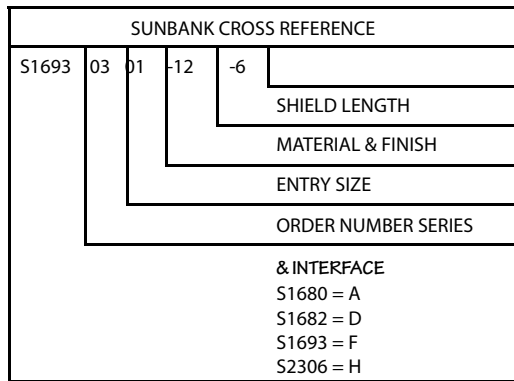
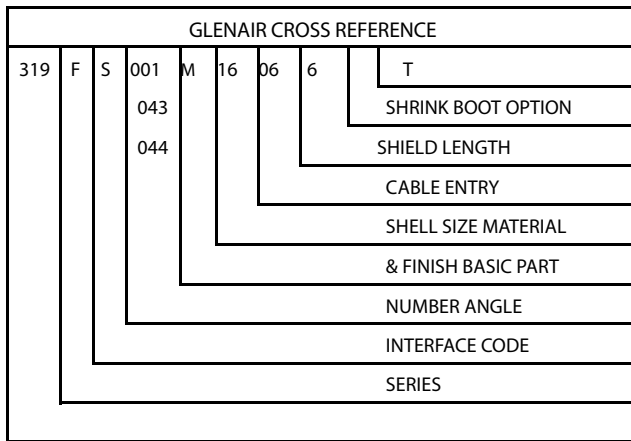


**SHIELD SOCK SHRINK BOOT ADAPTER**  
**TF\*351, TF\*353, TF\*354, TF\*358, TF\*359**  
**PART NUMBER BREAKDOWN & CROSS REFERENCE**

**SERIES**  
**35**



**CROSS REFERENCE INFORMATION - FOR COMPLETE BREAKDOWN SEE APPENDIX A**



**DISCLAIMER**  
 ALL INFORMATION IN THIS CATALOG IS BELIEVED TO BE RELIABLE. READERS SHOULD INDEPENDENTLY EVALUATE EACH PRODUCT TO CONFIRM SUITABILITY WITH HIS/HER SPECIFIC APPLICATION. TOPFLITE COMPONENTS MAKES NO WARRANTIES AS TO THE ACCURACY OR COMPLETENESS OF THE INFORMATION AND DISCLAIM ANY LIABILITY REGARDING ITS USE. SPECIFICATIONS ARE SUBJECT TO CHANGE WITHOUT NOTICE. TOPFLITE COMPONENTS PROCESSES OR MATERIALS THAT DO NOT AFFECT COMPLIANCE WITH ANY APPLICABLE SPECIFICATION ARE SUBJECT TO CHANGE WITHOUT NOTICE.