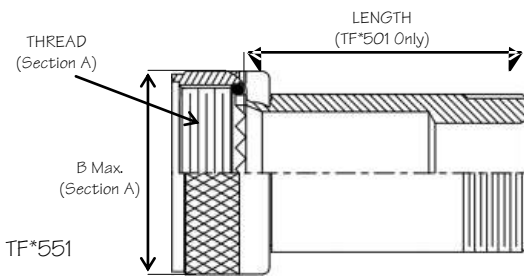


NON-ENVIRONMENTAL BACKSHELLS



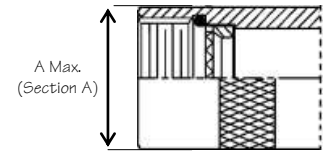
NON-ENVIRONMENTAL BACKSHELLS ARE USED WHEN THERE IS A REQUIREMENT FOR ADDITIONAL SPACE BETWEEN THE REAR OF THE CONNECTOR AND THE STRAIN RELIEF TO ALLOW FOR CABLE SERVICE LOOPS, JUMPING, FILTER NETWORKS, ETC.

SERIES	DESCRIPTION	PAGE
55	NON-ENVIRONMENTAL BACKSHELL	36



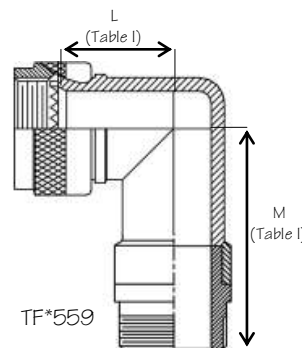
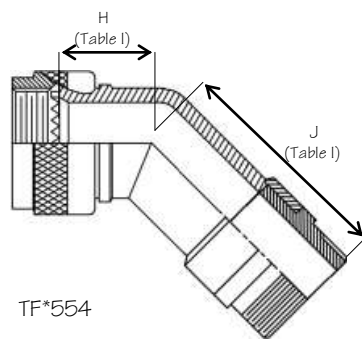
FOR STRAIN RELIEF OPTIONS REFER TO SECTION E

DIRECT COUPLING OPTION (STRAIGHT)

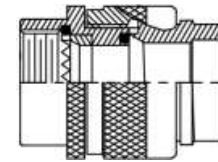


AVAILABLE IN THE FOLLOWING STRAIN RELIEF STYLES: H, A, D

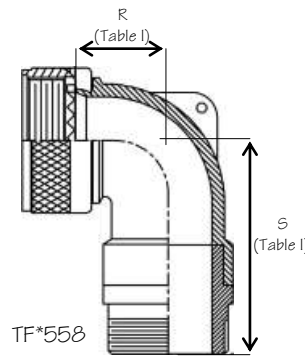
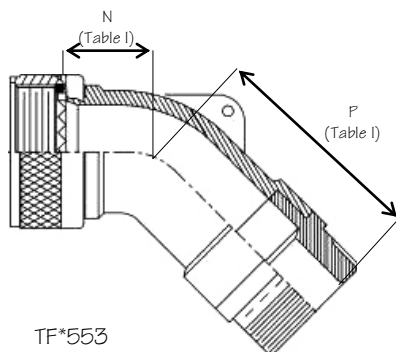
STANDARD PROFILE



DIRECT COUPLING OPTION (45° AND 90°)



LOW PROFILE



DIRECT COUPLING OPTION (45° AND 90°)

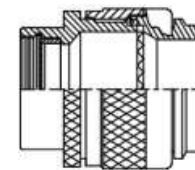


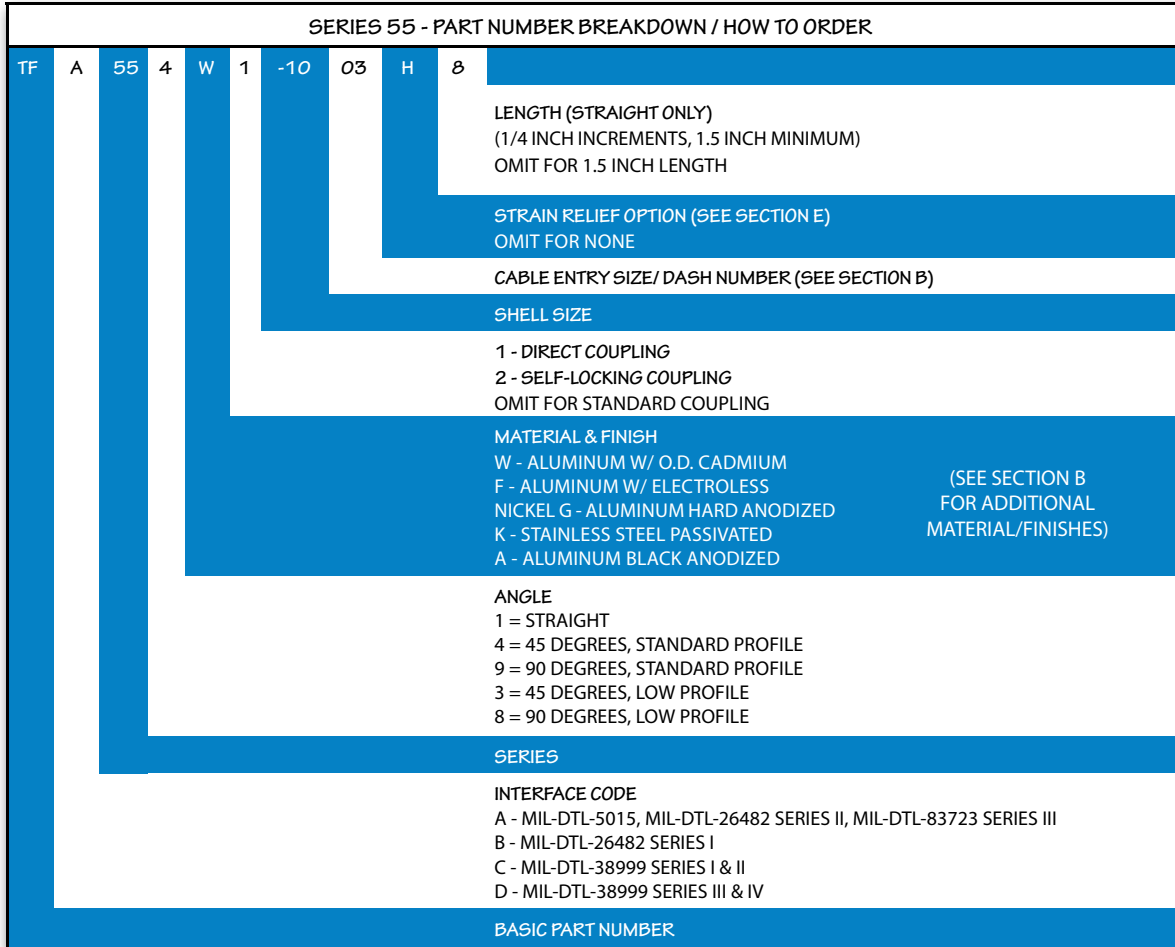
TABLE I
DIMENSIONAL CHART - 45 AND 90 DEGREE ADAPTERS

SHELL SIZE	H MAX	J MAX	L MAX	M MAX	N MAX	P MAX	R MAX	S MAX
8, 9 (A)	.795 (20.2)	1.390 (35.3)	.906 (23.0)	1.500 (38.1)	.457 (11.6)	1.622 (41.2)	.500 (12.7)	1.632 (41.5)
10, 11 (B)	.820 (20.8)	1.420 (36.1)	.966 (24.5)	1.560 (39.6)	.520 (13.2)	1.682 (42.7)	.595 (15.1)	1.752 (44.5)
12, 13 (C)	.844 (21.4)	1.440 (36.6)	1.026 (26.1)	1.620 (41.1)	.582 (14.8)	1.742 (44.2)	.610 (15.5)	1.772 (45.0)
14, 15 (D)	.861 (21.9)	1.470 (37.3)	1.076 (27.3)	1.690 (42.9)	.645 (16.4)	2.062 (52.4)	.700 (17.8)	2.072 (52.6)
16, 17 (E)	.888 (22.6)	1.490 (37.8)	1.136 (28.9)	1.750 (44.5)	.738 (18.7)	2.172 (55.2)	.885 (22.5)	2.162 (54.9)
18, 19 (F)	.904 (23.0)	1.500 (38.1)	1.176 (29.9)	1.770 (45.0)	.926 (23.5)	2.362 (60.0)	.975 (24.8)	2.332 (59.2)
20, 21 (G)	.929 (23.6)	1.520 (38.6)	1.236 (31.4)	1.830 (46.5)	.926 (23.5)	2.362 (60.0)	.975 (24.8)	2.332 (59.2)
22, 23 (H)	.956 (24.3)	1.560 (39.6)	1.296 (32.9)	1.910 (48.5)	1.020 (25.9)	2.512 (63.8)	1.125 (28.6)	2.442 (62.0)
24, 25 (J)	.979 (24.9)	1.590 (40.4)	1.356 (34.4)	1.980 (50.3)	1.020 (25.9)	2.512 (63.8)	1.125 (28.6)	2.442 (62.0)

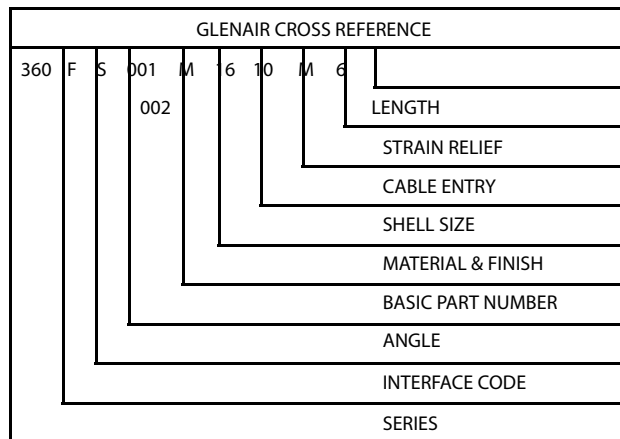


NON-ENVIRONMENTAL BACKSHELL
TF*551, TF*553, TF*554, TF*558, TF*559
PART NUMBER BREAKDOWN & CROSS REFERENCE

SERIES
55



CROSS REFERENCE INFORMATION - FOR COMPLETE BREAKDOWN SEE APPENDIX A



DISCLAIMER

ALL INFORMATION IN THIS CATALOG IS BELIEVED TO BE RELIABLE. READERS SHOULD INDEPENDENTLY EVALUATE EACH PRODUCT TO CONFIRM SUITABILITY WITH HIS/HER SPECIFIC APPLICATION. TOPFLITE COMPONENTS MAKES NO WARRANTIES AS TO THE ACCURACY OR COMPLETENESS OF THE INFORMATION AND DISCLAIM ANY LIABILITY REGARDING ITS USE. SPECIFICATIONS ARE SUBJECT TO CHANGE WITHOUT NOTICE. TOPFLITE COMPONENTS PROCESSES OR MATERIALS THAT DO NOT AFFECT COMPLIANCE WITH ANY APPLICABLE SPECIFICATION ARE SUBJECT TO CHANGE WITHOUT NOTICE.