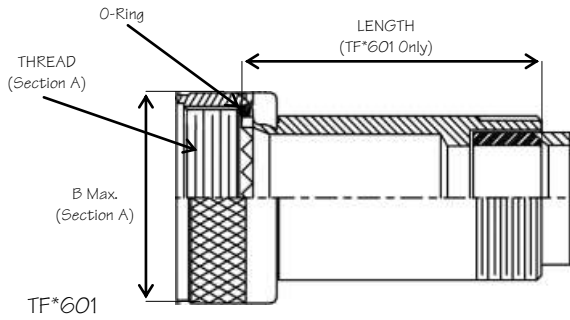


# ENVIRONMENTAL BACKSHELLS



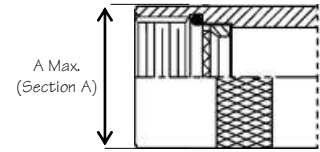
ENVIRONMENTAL BACKSHELLS PROTECT THE WIRING SIDE OF THE CONNECTOR FROM DUST, DIRT, MOISTURE AND FLUIDS. ALMOST ALL RECENT MILITARY SPECIFICATION CYLINDRICAL CONNECTORS ARE DESIGNED SO THAT WHEN THE WIRES ARE INSERTED THROUGH THE GROMMET, AND ASSUMING ALL HOLES IN THE GROMMET CONTAIN EITHER A WIRE OR A SEALING PLUG, THE CONNECTOR WILL BE ENVIRONMENTALLY SEALED ONCE THE BACKSHELL OR STRAIN RELIEF IS SECURED.

SERIES	DESCRIPTION	PAGE
60	FULLY SEALED ENVIRONMENTAL BACKSHELL	40
61	MOISTURE PROOF ENVIRONMENTAL BACKSHELL	42
62	SPLASH PROOF ENVIRONMENTAL BACKSHELL	44



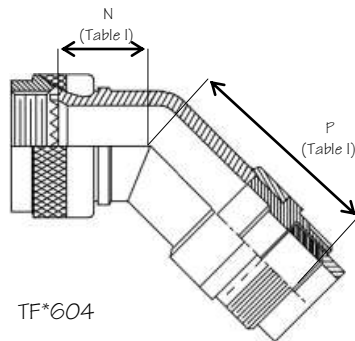
FOR STRAIN RELIEF OPTIONS  
REFER TO SECTION E

**DIRECT COUPLING OPTION  
(STRAIGHT)**

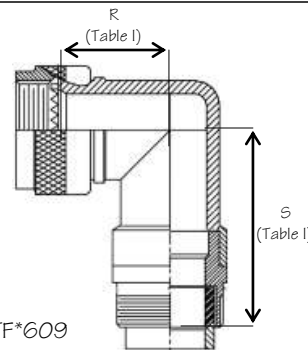


AVAILABLE IN THE FOLLOWING STRAIN RELIEF STYLES: H, A, D

**STANDARD PROFILE**

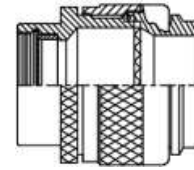


TF\*604

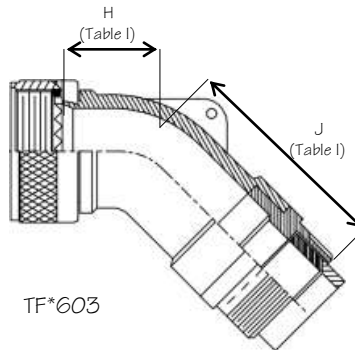


TF\*609

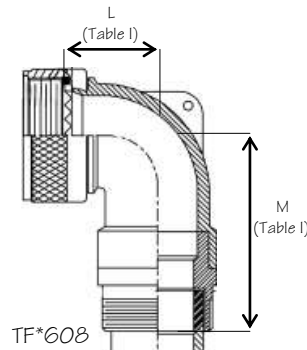
**DIRECT COUPLING OPTION  
(45° AND 90°)**



**LOW PROFILE**

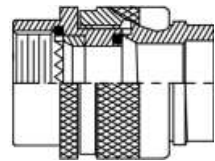


TF\*603



TF\*608

**DIRECT COUPLING OPTION  
(45° AND 90°)**



**TABLE I**  
**DIMENSIONAL CHART - 45 AND 90 DEGREE ADAPTERS**

SHELL SIZE	H MAX	J MAX	L MAX	M MAX	N MAX	P MAX	R MAX	S MAX
8, 9 (A)	.457 (11.6)	1.810 (46.0)	.500 (12.7)	1.820 (46.2)	.639 (16.2)	1.810 (46.0)	.750 (19.1)	1.820 (46.2)
10, 11 (B)	.520 (13.2)	1.869 (47.5)	.595 (15.1)	1.940 (49.3)	.664 (16.9)	1.869 (47.5)	.810 (20.6)	1.940 (49.3)
12, 13 (C)	.582 (14.8)	1.929 (49.0)	.610 (15.5)	1.960 (49.8)	.688 (17.5)	1.929 (49.0)	.870 (22.1)	1.960 (49.8)
14, 15 (D)	.645 (16.4)	2.359 (59.9)	.700 (17.8)	2.369 (60.2)	.705 (17.9)	2.359 (59.9)	.920 (23.4)	2.369 (60.2)
16, 17 (E)	.738 (18.7)	2.469 (62.7)	.885 (22.5)	2.459 (62.5)	.732 (18.6)	2.469 (62.7)	.980 (24.9)	2.459 (62.5)
18, 19 (F)	.926 (23.5)	2.659 (67.5)	.975 (24.8)	2.629 (66.8)	.748 (19.0)	2.659 (67.5)	1.020 (25.9)	2.629 (66.8)
20, 21 (G)	.926 (23.5)	2.659 (67.5)	.975 (24.8)	2.629 (66.8)	.773 (19.6)	2.659 (67.5)	1.080 (27.4)	2.629 (66.8)
22, 23 (H)	1.020 (25.9)	2.872 (72.9)	1.125 (28.6)	2.802 (71.2)	.800 (20.3)	2.872 (72.9)	1.140 (29.0)	2.802 (71.2)
24, 25 (J)	1.020 (25.9)	2.872 (72.9)	1.125 (28.6)	2.802 (71.2)	.823 (20.9)	2.872 (72.9)	1.200 (30.5)	2.802 (71.2)



**ENVIRONMENTAL BACKSHELL**  
**TF\*601, TF\*603, TF\*604, TF\*608, TF\*609**  
**PART NUMBER BREAKDOWN & CROSS REFERENCE**

**SERIES**  
**60**

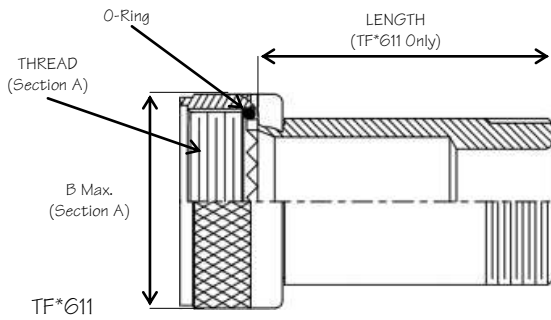
SERIES 60 - PART NUMBER BREAKDOWN / HOW TO ORDER										
TF	A	60	4	W	1	-10	03	H	8	
LENGTH (STRAIGHT ONLY) (1/4 INCH INCREMENTS, 1.5 INCH MINIMUM) OMIT FOR 1.5 INCH LENGTH										
STRAIN RELIEF OPTION (SEE SECTION E) OMIT FOR NONE										
CABLE ENTRY SIZE/ DASH NUMBER (SEE SECTION B)										
SHELL SIZE										
1 - DIRECT COUPLING 2 - SELF-LOCKING COUPLING OMIT FOR STANDARD COUPLING										
MATERIAL & FINISH W - ALUMINUM W/ O.D. CADMIUM F - ALUMINUM W/ ELECTROLESS NICKEL G - ALUMINUM HARD ANODIZED K - STAINLESS STEEL PASSIVATED A - ALUMINUM BLACK ANODIZED (SEE SECTION B FOR ADDITIONAL MATERIAL/FINISHES)										
ANGLE 1 - STRAIGHT 4 - 45 DEGREES, STANDARD PROFILE 9 - 90 DEGREES, STANDARD PROFILE 3 - 45 DEGREES, LOW PROFILE 8 - 90 DEGREES, LOW PROFILE										
SERIES										
INTERFACE CODE A - MIL-DTL-5015, MIL-DTL-26482 SERIES II, MIL-DTL-83723 SERIES III B - MIL-DTL-26482 SERIES I C - MIL-DTL-38999 SERIES I & II D - MIL-DTL-38999 SERIES III & IV										
BASIC PART NUMBER										

**CROSS REFERENCE INFORMATION - FOR COMPLETE BREAKDOWN SEE APPENDIX A**

GLENAIR CROSS REFERENCE										
370	F	S	001	M	16	10	M	6		
			002							
LENGTH										
STRAIN RELIEF										
CABLE ENTRY										
SHELL SIZE										
MATERIAL & FINISH										
BASIC PART NUMBER										
ANGLE										
INTERFACE CODE										
SERIES										

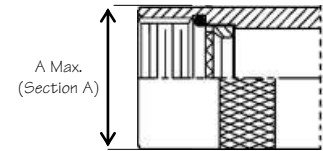
SUNBANK CROSS REFERENCE										
SE16	F	22	12	ES	C	4	A	3.5		
MATERIAL & FINISH										
ATTACHMENT										
FUNCTION										
LENGTH										
CLAMP TYPE										
CABLE ENTRY										
ORDER NUMBER										
INTERFACE CODE										
SERIES										

**DISCLAIMER**  
 ALL INFORMATION IN THIS CATALOG IS BELIEVED TO BE RELIABLE. READERS SHOULD INDEPENDENTLY EVALUATE EACH PRODUCT TO CONFIRM SUITABILITY WITH HIS/HER SPECIFIC APPLICATION. TOPFLITE COMPONENTS MAKES NO WARRANTIES AS TO THE ACCURACY OR COMPLETENESS OF THE INFORMATION AND DISCLAIM ANY LIABILITY REGARDING ITS USE. SPECIFICATIONS ARE SUBJECT TO CHANGE WITHOUT NOTICE. TOPFLITE COMPONENTS PROCESSES OR MATERIALS THAT DO NOT AFFECT COMPLIANCE WITH ANY APPLICABLE SPECIFICATION ARE SUBJECT TO CHANGE WITHOUT NOTICE.



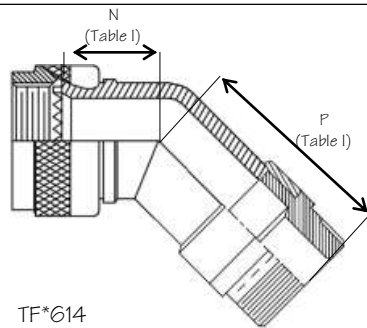
FOR STRAIN RELIEF OPTIONS  
REFER TO SECTION E

**DIRECT COUPLING OPTION  
(STRAIGHT)**

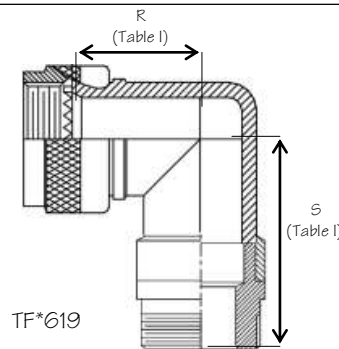


AVAILABLE IN THE FOLLOWING STRAIN RELIEF STYLES: C, E

**STANDARD PROFILE**

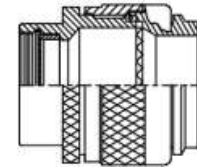


TF\*614

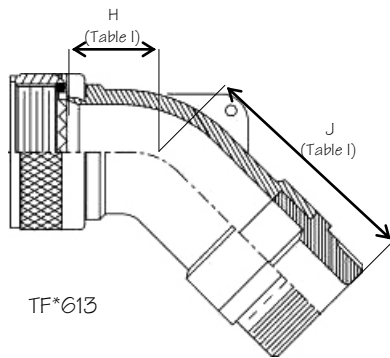


TF\*619

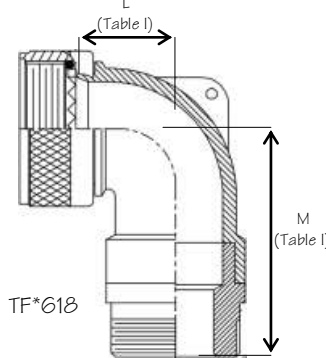
**DIRECT COUPLING OPTION  
(45° AND 90°)**



**LOW PROFILE**

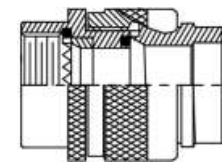


TF\*613



TF\*618

**DIRECT COUPLING OPTION  
(45° AND 90°)**



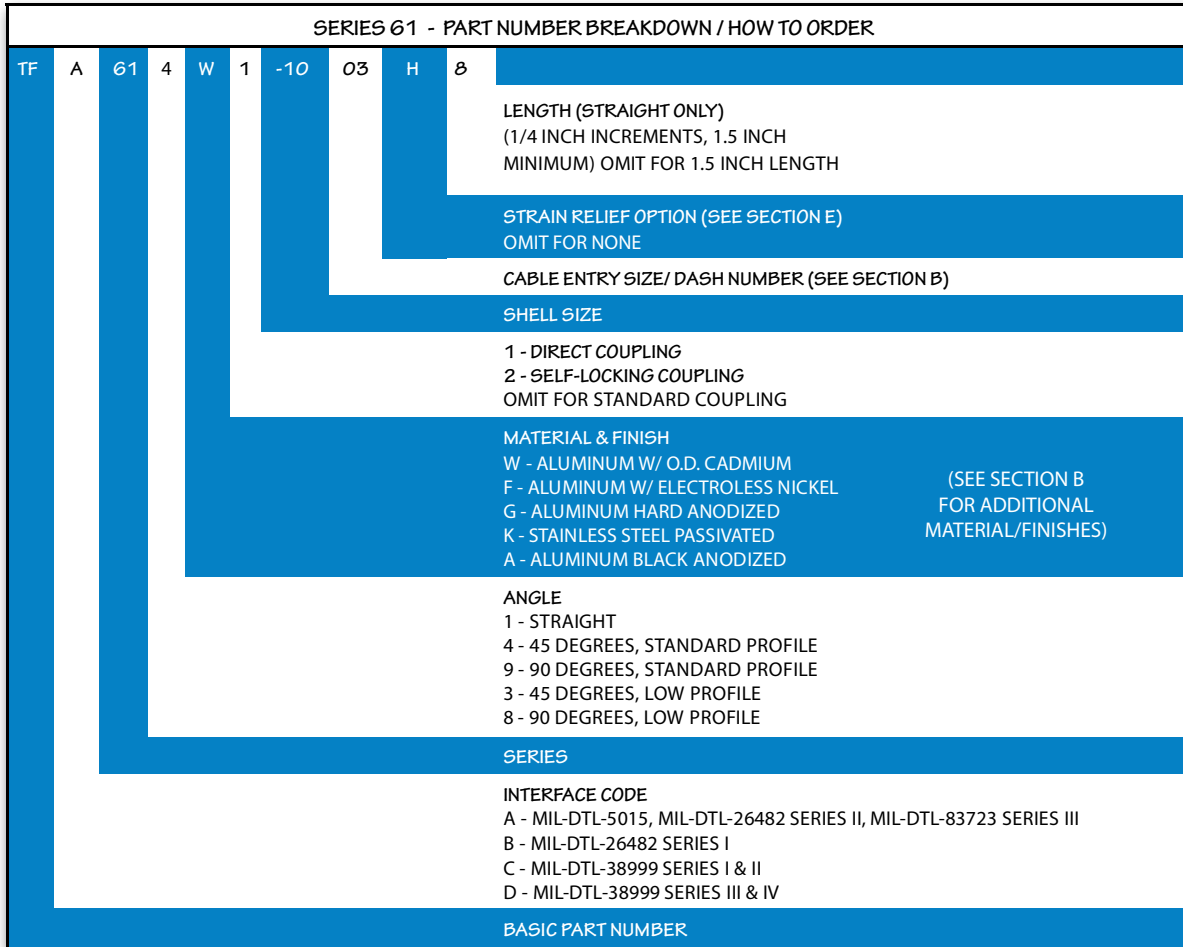
**TABLE I**  
**DIMENSIONAL CHART - 45 AND 90 DEGREE ADAPTERS**

SHELL SIZE	H MAX	J MAX	L MAX	M MAX	N MAX	P MAX	R MAX	S MAX
8, 9 (A)	.457 (11.6)	1.810 (46.0)	.500 (12.7)	1.820 (46.2)	.639 (16.2)	1.810 (46.0)	.750 (19.1)	1.820 (46.2)
10, 11 (B)	.520 (13.2)	1.869 (47.5)	.595 (15.1)	1.940 (49.3)	.664 (16.9)	1.869 (47.5)	.810 (20.6)	1.940 (49.3)
12, 13 (C)	.582 (14.8)	1.929 (49.0)	.610 (15.5)	1.960 (49.8)	.688 (17.5)	1.929 (49.0)	.870 (22.1)	1.960 (49.8)
14, 15 (D)	.645 (16.4)	2.359 (59.9)	.700 (17.8)	2.369 (60.2)	.705 (17.9)	2.359 (59.9)	.920 (23.4)	2.369 (60.2)
16, 17 (E)	.738 (18.7)	2.469 (62.7)	.885 (22.5)	2.459 (62.5)	.732 (18.6)	2.469 (62.7)	.980 (24.9)	2.459 (62.5)
18, 19 (F)	.926 (23.5)	2.659 (67.5)	.975 (24.8)	2.629 (66.8)	.748 (19.0)	2.659 (67.5)	1.020 (25.9)	2.629 (66.8)
20, 21 (G)	.926 (23.5)	2.659 (67.5)	.975 (24.8)	2.629 (66.8)	.773 (19.6)	2.659 (67.5)	1.080 (27.4)	2.629 (66.8)
22, 23 (H)	1.020 (25.9)	2.872 (72.9)	1.125 (28.6)	2.802 (71.2)	.800 (20.3)	2.872 (72.9)	1.140 (29.0)	2.802 (71.2)
24, 25 (J)	1.020 (25.9)	2.872 (72.9)	1.125 (28.6)	2.802 (71.2)	.823 (20.9)	2.872 (72.9)	1.200 (30.5)	2.802 (71.2)

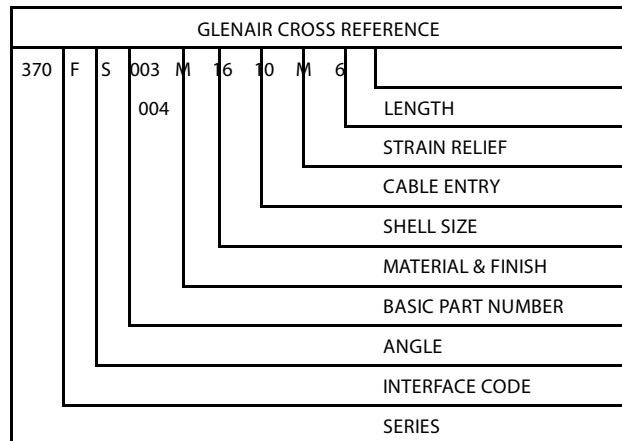


**ENVIRONMENTAL BACKSHELL**  
**TF\*611, TF\*613, TF\*614, TF\*618, TF\*619**  
**PART NUMBER BREAKDOWN & CROSS REFERENCE**

**SERIES**  
**61**

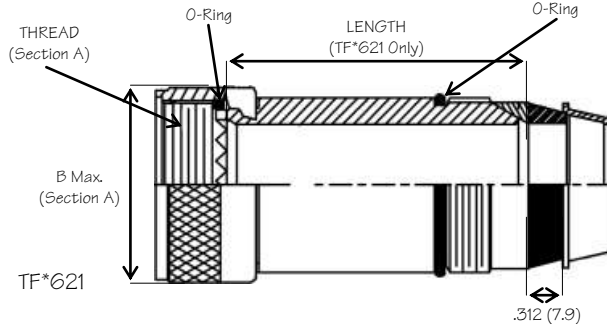


CROSS REFERENCE INFORMATION - FOR COMPLETE BREAKDOWN SEE APPENDIX A



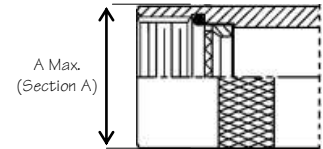
**DISCLAIMER**

ALL INFORMATION IN THIS CATALOG IS BELIEVED TO BE RELIABLE. READERS SHOULD INDEPENDENTLY EVALUATE EACH PRODUCT TO CONFIRM SUITABILITY WITH HIS/HER SPECIFIC APPLICATION. TOPFLITE COMPONENTS MAKES NO WARRANTIES AS TO THE ACCURACY OR COMPLETENESS OF THE INFORMATION AND DISCLAIM ANY LIABILITY REGARDING ITS USE. SPECIFICATIONS ARE SUBJECT TO CHANGE WITHOUT NOTICE. TOPFLITE COMPONENTS PROCESSES OR MATERIALS THAT DO NOT AFFECT COMPLIANCE WITH ANY APPLICABLE SPECIFICATION ARE SUBJECT TO CHANGE WITHOUT NOTICE.



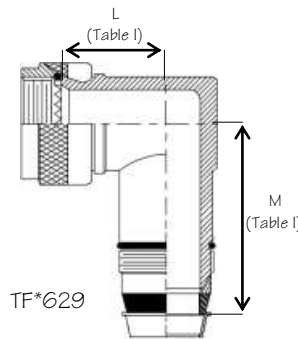
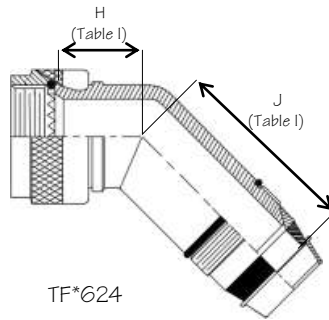
FOR STRAIN RELIEF OPTIONS  
REFER TO SECTION E

**DIRECT COUPLING OPTION**  
**(STRAIGHT)**

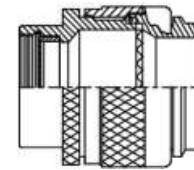


AVAILABLE IN THE FOLLOWING STRAIN RELIEF STYLES: J, G

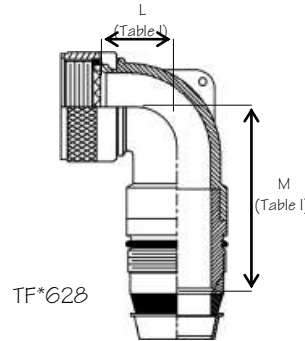
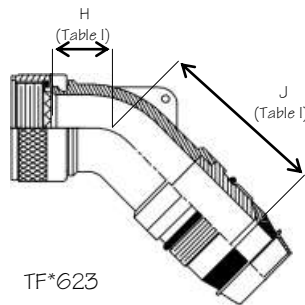
**STANDARD PROFILE**



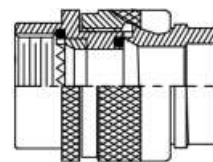
**DIRECT COUPLING OPTION**  
**(45° AND 90°)**



**LOW PROFILE**



**DIRECT COUPLING OPTION**  
**(45° AND 90°)**



**TABLE I**

SHELL SIZE	H MAX	J MAX	L MAX	M MAX	N MAX	H MAX	M MAX	S MAX
8, 9 (A)	.457 (11.6)	2.030 (51.6)	.500 (12.7)	2.040 (51.8)	.639 (16.2)	2.030 (51.6)	.750 (19.1)	2.040 (51.8)
10, 11 (B)	.520 (13.2)	2.030 (51.6)	.595 (15.1)	2.040 (51.8)	.664 (16.9)	2.030 (51.6)	.810 (20.6)	2.040 (51.8)
12, 13 (C)	.582 (14.8)	2.090 (53.1)	.610 (15.5)	2.160 (54.9)	.688 (17.5)	2.090 (53.1)	.870 (22.1)	2.160 (54.9)
14, 15 (D)	.645 (16.4)	2.150 (54.6)	.700 (17.8)	2.180 (55.4)	.705 (17.9)	2.150 (54.6)	.920 (23.4)	2.180 (55.4)
16, 17 (E)	.738 (18.7)	2.240 (56.9)	.885 (22.5)	2.250 (57.2)	.732 (18.6)	2.240 (56.9)	.980 (24.9)	2.250 (57.2)
18, 19 (F)	.926 (23.5)	2.340 (59.4)	.975 (24.8)	2.340 (59.4)	.748 (19.0)	2.340 (59.4)	1.020 (25.9)	2.340 (59.4)
20, 21 (G)	.926 (23.5)	2.340 (59.4)	.975 (24.8)	2.340 (59.4)	.773 (19.6)	2.340 (59.4)	1.080 (27.4)	2.340 (59.4)
22, 23 (H)	1.020 (25.9)	2.540 (64.5)	1.125 (28.6)	2.510 (63.8)	.800 (20.3)	2.540 (64.5)	1.140 (29.0)	2.510 (63.8)
24, 25 (J)	1.020 (25.9)	2.540 (64.5)	1.125 (28.6)	2.510 (63.8)	.823 (20.9)	2.540 (64.5)	1.200 (30.5)	2.510 (63.8)



**ENVIRONMENTAL BACKSHELL**  
**TF\*621, TF\*623, TF\*624, TF\*628, TF\*629**  
**PART NUMBER BREAKDOWN & CROSS REFERENCE**

**SERIES**  
**62**

SERIES 62 - PART NUMBER BREAKDOWN / HOW TO ORDER										
TF	A	62	4	W	1	-10	03	H	8	
										LENGTH (STRAIGHT ONLY) (1/4 INCH INCREMENTS, 1.5 INCH MINIMUM) OMIT FOR 1.5 INCH LENGTH
										STRAIN RELIEF OPTION (SEE SECTION E) OMIT FOR NONE
										CABLE ENTRY SIZE/ DASH NUMBER (SEE SECTION B)
										SHELL SIZE
										1 - DIRECT COUPLING 2 - SELF-LOCKING COUPLING OMIT FOR STANDARD COUPLING
										MATERIAL & FINISH W - ALUMINUM W/ O.D. CADMIUM F - ALUMINUM W/ ELECTROLESS NICKEL G - ALUMINUM HARD ANODIZED K - STAINLESS STEEL PASSIVATED A - ALUMINUM BLACK ANODIZED  (SEE SECTION B FOR ADDITIONAL MATERIAL/FINISHES)
										ANGLE 1 - STRAIGHT 4 - 45 DEGREES, STANDARD PROFILE 9 - 90 DEGREES, STANDARD PROFILE 3 - 45 DEGREES, LOW PROFILE 8 - 90 DEGREES, LOW PROFILE
										SERIES
										INTERFACE CODE A - MIL-DTL-5015, MIL-DTL-26482 SERIES II, MIL-DTL-83723 SERIES III B - MIL-DTL-26482 SERIES I C - MIL-DTL-38999 SERIES I & II D - MIL-DTL-38999 SERIES III & IV
										BASIC PART NUMBER

**CROSS REFERENCE INFORMATION - FOR COMPLETE BREAKDOWN SEE APPENDIX A**

GLENAIR CROSS REFERENCE										
370	F	S	005	M	16	10	M	6		
										LENGTH
										STRAIN RELIEF
										CABLE ENTRY
										SHELL SIZE
										MATERIAL & FINISH
										BASIC PART NUMBER
										ANGLE
										INTERFACE CODE
										SERIES

**DISCLAIMER**

ALL INFORMATION IN THIS CATALOG IS BELIEVED TO BE RELIABLE. READERS SHOULD INDEPENDENTLY EVALUATE EACH PRODUCT TO CONFIRM SUITABILITY WITH HIS/HER SPECIFIC APPLICATION. TOPFLITE COMPONENTS MAKES NO WARRANTIES AS TO THE ACCURACY OR COMPLETENESS OF THE INFORMATION AND DISCLAIM ANY LIABILITY REGARDING ITS USE. SPECIFICATIONS ARE SUBJECT TO CHANGE WITHOUT NOTICE. TOPFLITE COMPONENTS PROCESSES OR MATERIALS THAT DO NOT AFFECT COMPLIANCE WITH ANY APPLICABLE SPECIFICATION ARE SUBJECT TO CHANGE WITHOUT NOTICE.