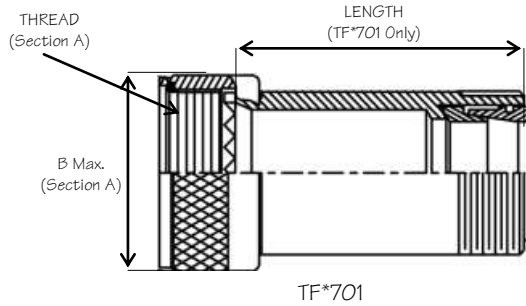


# EMI/RFI NON-ENVIRONMENTAL BACKSHELLS



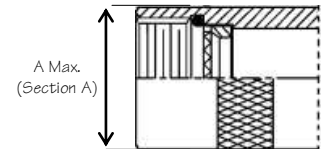
ELECTROMAGNETIC INTERFERENCE (EMI) AND RADIO FREQUENCY INTERFERENCE (RFI) GENERATE INTERFERENCE. WHEN STRONG EXTERNAL NOISE FIELDS EXIST, THE CONDUCTORS OF A CABLE ACT AS ANTENNAS AND PICK UP THE RADIATED SIGNALS. THE RECEPTION OF THIS INTERFERENCE RESULTS IN INACCURATE OR INTERRUPTED DATA TRANSMISSION. AN EFFECTIVE SHIELD PREVENTS THE RECEPTION OF UNDESIRE SIGNALS AS WELL AS CONFINING EXTRANEIOUS SIGNALS GENERATED WITHIN THE CABLE ITSELF. EMI/RFI BACKSHELLS ENCLOSE THE CABLE IN A TIGHTLY WOVEN METAL BRAID COMPRISED OF WIRE STRANDS WHICH IS THEN TERMINATED AT ONE OR BOTH ENDS OF THE CABLE TO GROUND POTENTIAL. THE TERMINATION AND GROUNDING OF THE SHIELD IS ACCOMPLISHED BY USING A SUITABLE CONNECTOR BACKSHELL. A VARIETY OF BACKSHELL CONFIGURATIONS ARE AVAILABLE FOR TERMINATION OF CABLE SHIELDING.

SERIES	DESCRIPTION	PAGE
70	OUTER SHIELD TERMINATION EMI/RFI NON-ENVIRONMENTAL BACKSHELL	48
71	HEAVY DUTY OUTER SHIELD TERMINATION EMI/RFI NON-ENVIRONMENTAL BACKSHELL	50
72	LIGHT DUTY OUTER SHIELD TERMINATION EMI/RFI NON-ENVIRONMENTAL BACKSHELL	52
74	INNER OR OUTER SHIELD TERMINATION EMI/RFI NON-ENVIRONMENTAL BACKSHELL	54
75	INNER AND OUTER SHIELD TERMINATION EMI/RFI NON-ENVIRONMENTAL BACKSHELL	56
76	INNER AND OUTER SHIELD TERMINATION EMI/RFI NON-ENVIRONMENTAL BACKSHELL	58
77	INNER OR OUTER SHIELD TERMINATION EMI/RFI NON-ENVIRONMENTAL BACKSHELL	60



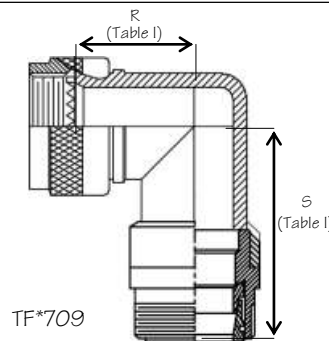
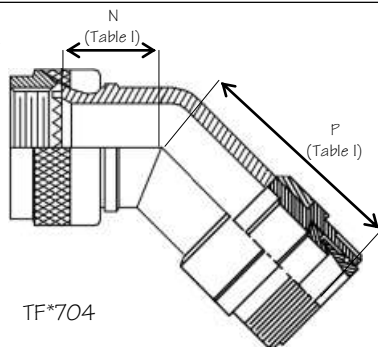
FOR STRAIN RELIEF OPTIONS  
REFER TO SECTION E

**DIRECT COUPLING OPTION**  
**(STRAIGHT)**

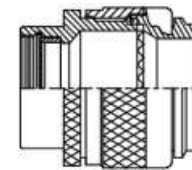


AVAILABLE IN THE FOLLOWING STRAIN RELIEF STYLES: H, A, D

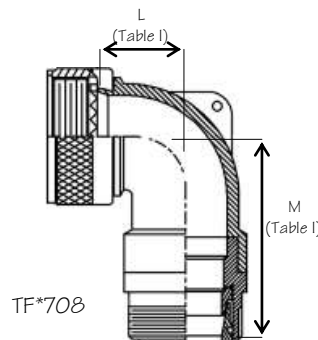
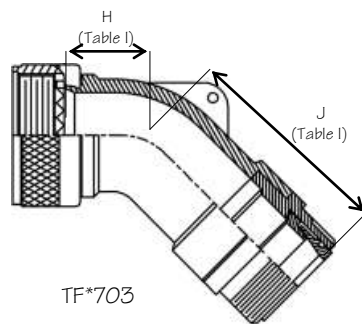
**STANDARD PROFILE**



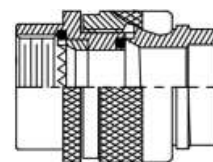
**DIRECT COUPLING OPTION**  
**(45° AND 90°)**



**LOW PROFILE**



**DIRECT COUPLING OPTION**  
**(45° AND 90°)**



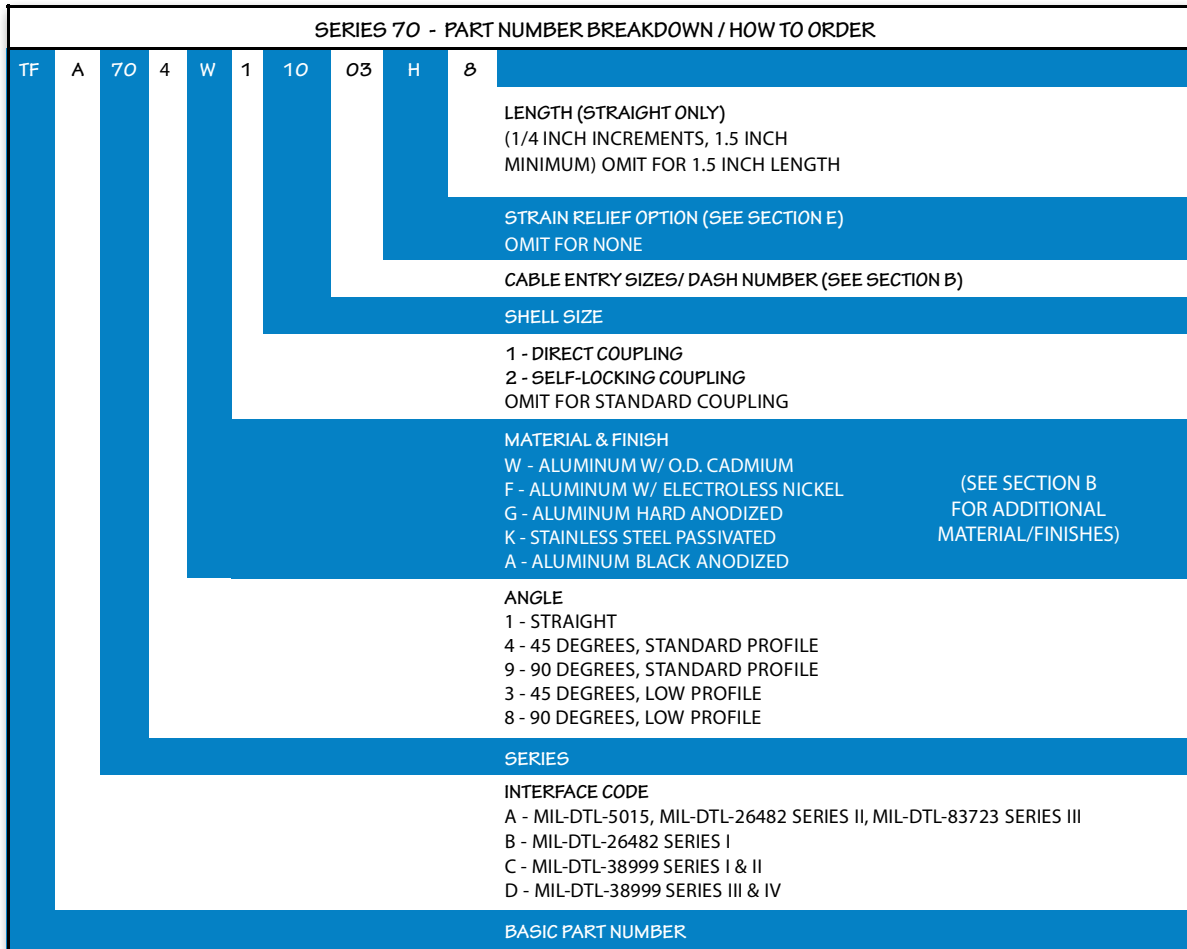
**TABLE I**  
**DIMENSIONAL CHART - 45 AND 90 DEGREE ADAPTERS**

SHELL SIZE	H MAX	J MAX	L MAX	M MAX	N MAX	P MAX	R MAX	SH MAX
8, 9 (A)	.457 (11.6)	1.602 (40.7)	.500 (12.7)	1.612 (40.9)	.639 (16.2)	1.602 (40.7)	.750 (19.1)	1.612 (40.9)
10, 11 (B)	.520 (13.2)	1.662 (42.2)	.595 (15.1)	1.732 (44.0)	.664 (16.9)	1.662 (42.2)	.810 (20.6)	1.732 (44.0)
12, 13 (C)	.582 (14.8)	1.722 (43.7)	.610 (15.5)	1.752 (44.5)	.688 (17.5)	1.722 (43.7)	.870 (22.1)	1.752 (44.5)
14, 15 (D)	.645 (16.4)	2.062 (52.4)	.700 (17.8)	2.072 (52.6)	.705 (17.9)	2.062 (52.4)	.920 (23.4)	2.072 (52.6)
16, 17 (E)	.738 (18.7)	2.172 (55.2)	.885 (22.5)	2.162 (54.9)	.732 (18.6)	2.172 (55.2)	.980 (24.9)	2.162 (54.9)
18, 19 (F)	.926 (23.5)	2.362 (60.0)	.975 (24.8)	2.332 (59.2)	.748 (19.0)	2.362 (60.0)	1.020 (25.9)	2.332 (59.2)
20, 21 (G)	.926 (23.5)	2.362 (60.0)	.975 (24.8)	2.332 (59.2)	.773 (19.6)	2.362 (60.0)	1.080 (27.4)	2.332 (59.2)
22, 23 (H)	1.020 (25.9)	2.512 (63.8)	1.125 (28.6)	2.442 (62.0)	.800 (20.3)	2.512 (63.8)	1.140 (29.0)	2.442 (62.0)
24, 25 (J)	1.020 (25.9)	2.512 (63.8)	1.125 (28.6)	2.442 (62.0)	.823 (20.9)	2.512 (63.8)	1.200 (30.5)	2.442 (62.0)

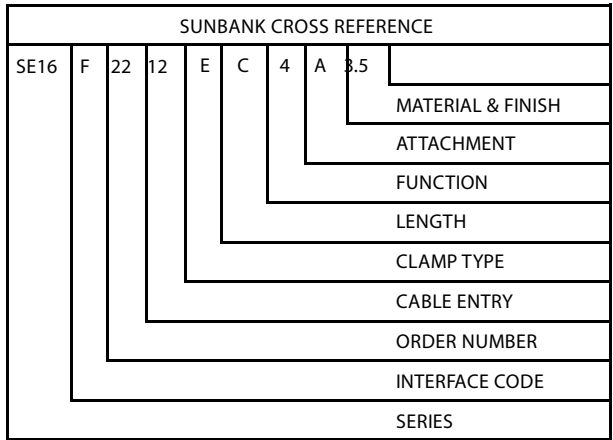
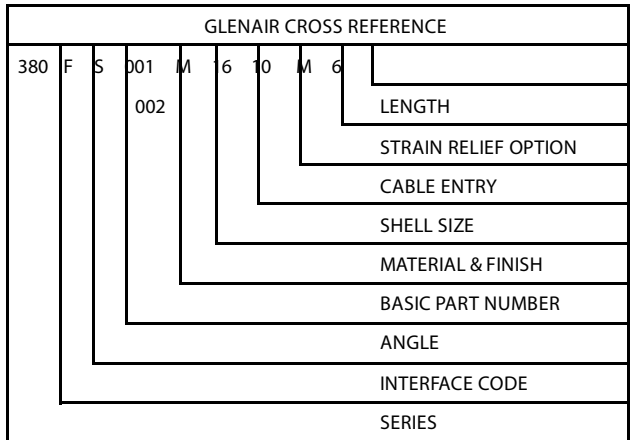


**EMI/RFI NON-ENVIRONMENTAL BACKSHELL**  
**TF\*701, TF\*703, TF\*704, TF\*708, TF\*709**  
**PART NUMBER BREAKDOWN & CROSS REFERENCE**

**SERIES**  
**70**



CROSS REFERENCE INFORMATION - FOR COMPLETE BREAKDOWN SEE APPENDIX A



**DISCLAIMER**  
 ALL INFORMATION IN THIS CATALOG IS BELIEVED TO BE RELIABLE. READERS SHOULD INDEPENDENTLY EVALUATE EACH PRODUCT TO CONFIRM SUITABILITY WITH HIS/HER SPECIFIC APPLICATION. TOPFLITE COMPONENTS MAKES NO WARRANTIES AS TO THE ACCURACY OR COMPLETENESS OF THE INFORMATION AND DISCLAIM ANY LIABILITY REGARDING ITS USE. SPECIFICATIONS ARE SUBJECT TO CHANGE WITHOUT NOTICE. TOPFLITE COMPONENTS PROCESSES OR MATERIALS THAT DO NOT AFFECT COMPLIANCE WITH ANY APPLICABLE SPECIFICATION ARE SUBJECT TO CHANGE WITHOUT NOTICE.

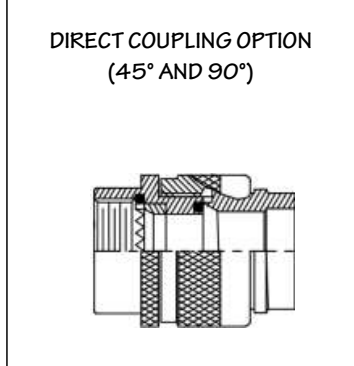
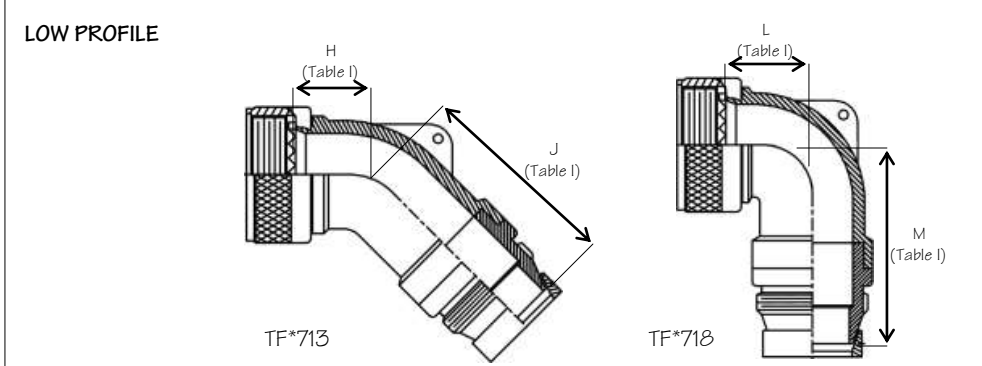
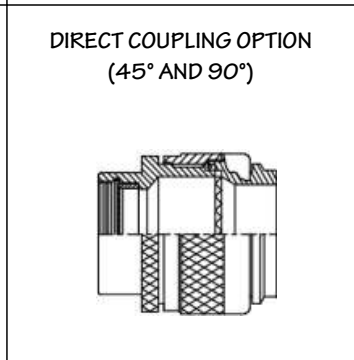
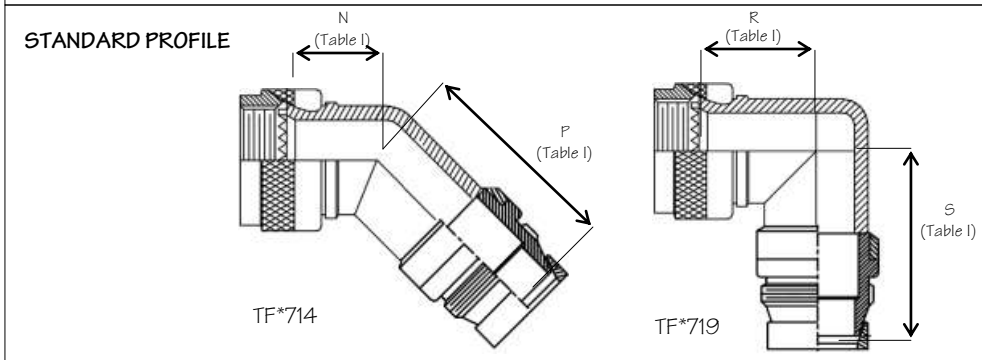
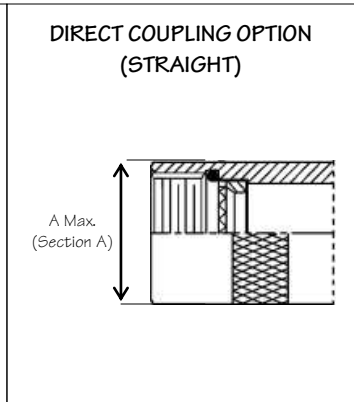
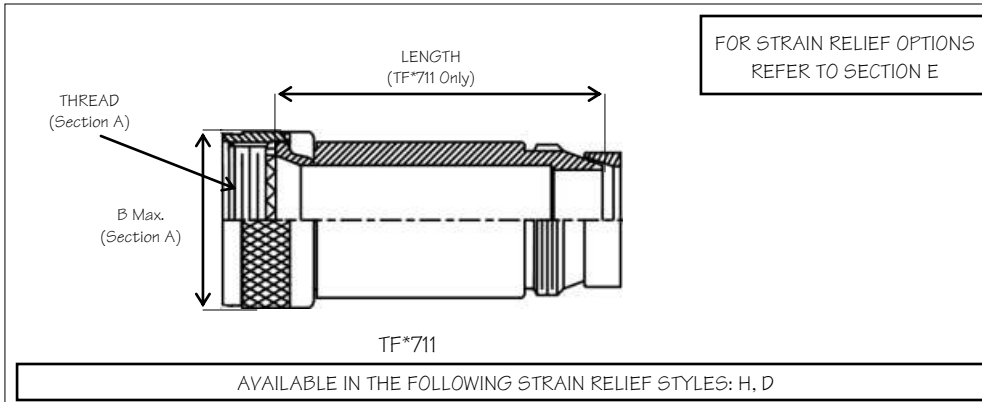


TABLE I								
SHELL SIZE	H MAX	J MAX	L MAX	M MAX	N MAX	P MAX	R MAX	S MAX
8, 9 (A)	.457 (11.6)	1.848 (46.9)	.500 (12.7)	1.858 (47.2)	.639 (16.2)	1.848 (46.9)	.750 (19.1)	1.858 (47.2)
10, 11 (B)	.520 (13.2)	1.908 (48.5)	.595 (15.1)	1.978 (50.2)	.664 (16.9)	1.908 (48.5)	.810 (20.6)	1.978 (50.2)
12, 13 (C)	.582 (14.8)	1.968 (50.0)	.610 (15.5)	1.998 (50.7)	.688 (17.5)	1.968 (50.0)	.870 (22.1)	1.998 (50.7)
14, 15 (D)	.645 (16.4)	2.347 (59.6)	.700 (17.8)	2.357 (59.9)	.705 (17.9)	2.347 (59.6)	.920 (23.4)	2.357 (59.9)
16, 17 (E)	.738 (18.7)	2.457 (62.4)	.885 (22.5)	2.447 (62.2)	.732 (18.6)	2.457 (62.4)	.980 (24.9)	2.447 (62.2)
18, 19 (F)	.926 (23.5)	2.647 (67.2)	.975 (24.8)	2.617 (66.5)	.748 (19.0)	2.647 (67.2)	1.020 (25.9)	2.617 (66.5)
20, 21 (G)	.926 (23.5)	2.647 (67.2)	.975 (24.8)	2.617 (66.5)	.773 (19.6)	2.647 (67.2)	1.080 (27.4)	2.617 (66.5)
22, 23 (H)	1.020 (25.9)	2.922 (74.2)	1.125 (28.6)	2.852 (72.4)	.800 (20.3)	2.922 (74.2)	1.140 (29.0)	2.852 (72.4)
24, 25 (J)	1.020 (25.9)	2.922 (74.2)	1.125 (28.6)	2.852 (72.4)	.823 (20.9)	2.922 (74.2)	1.200 (30.5)	2.852 (72.4)



**EMI/RFI NON-ENVIRONMENTAL BACKSHELL**  
**TF\*711, TF\*713, TF\*714, TF\*718, TF\*719**  
**PART NUMBER BREAKDOWN & CROSS REFERENCE**

**SERIES**  
**71**

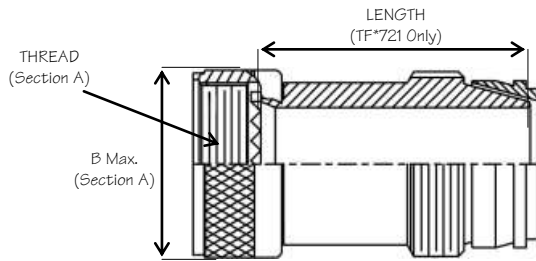
SERIES 71 - PART NUMBER BREAKDOWN / HOW TO ORDER										
TF	A	71	4	W	1	10	03	H	8	
LENGTH (STRAIGHT ONLY) (1/4 INCH INCREMENTS, 1.5 INCH MINIMUM) OMIT FOR 1.5 INCH LENGTH										
STRAIN RELIEF OPTION (SEE SECTION E) OMIT FOR NONE										
CABLE ENTRY SIZE/ DASH NUMBER (SEE SECTION B)										
SHELL SIZE										
1 - DIRECT COUPLING 2 - SELF-LOCKING COUPLING OMIT FOR STANDARD COUPLING										
MATERIAL & FINISH W - ALUMINUM W/ O.D. CADMIUM F - ALUMINUM W/ ELECTROLESS NICKEL G - ALUMINUM HARD ANODIZED K - STAINLESS STEEL PASSIVATED A - ALUMINUM BLACK ANODIZED  (SEE SECTION B FOR ADDITIONAL MATERIAL/FINISHES)										
ANGLE 1 - STRAIGHT 4 - 45 DEGREES, STANDARD PROFILE 9 - 90 DEGREES, STANDARD PROFILE 3 - 45 DEGREES, LOW PROFILE 8 - 90 DEGREES, LOW PROFILE										
SERIES										
INTERFACE CODE A - MIL-DTL-5015, MIL-DTL-26482 SERIES II, MIL-DTL-83723 SERIES III B - MIL-DTL-26482 SERIES I C - MIL-DTL-38999 SERIES I & II D - MIL-DTL-38999 SERIES III & IV										
BASIC PART NUMBER										

**CROSS REFERENCE INFORMATION - FOR COMPLETE BREAKDOWN SEE APPENDIX A**

GLENAIR CROSS REFERENCE										
380	F	S	005	M	16	10	M	6		
006										
LENGTH										
STRAIN RELIEF OPTION										
CABLE ENTRY										
SHELL SIZE										
MATERIAL & FINISH										
BASIC PART NUMBER										
ANGLE										
INTERFACE CODE										
SERIES										

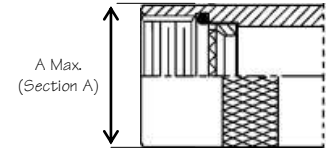
**DISCLAIMER**

ALL INFORMATION IN THIS CATALOG IS BELIEVED TO BE RELIABLE. READERS SHOULD INDEPENDENTLY EVALUATE EACH PRODUCT TO CONFIRM SUITABILITY WITH HIS/HER SPECIFIC APPLICATION. TOPFLITE COMPONENTS MAKES NO WARRANTIES AS TO THE ACCURACY OR COMPLETENESS OF THE INFORMATION AND DISCLAIM ANY LIABILITY REGARDING ITS USE. SPECIFICATIONS ARE SUBJECT TO CHANGE WITHOUT NOTICE. TOPFLITE COMPONENTS PROCESSES OR MATERIALS THAT DO NOT AFFECT COMPLIANCE WITH ANY APPLICABLE SPECIFICATION ARE SUBJECT TO CHANGE WITHOUT NOTICE.



FOR STRAIN RELIEF OPTIONS  
REFER TO SECTION E

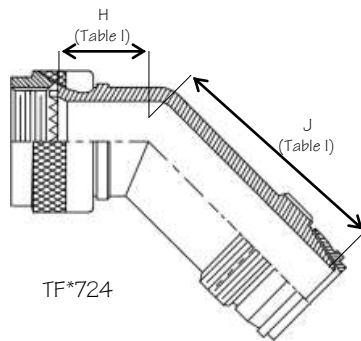
**DIRECT COUPLING OPTION**  
**(STRAIGHT)**



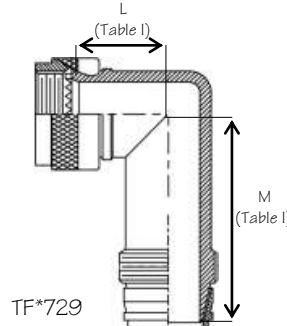
TF\*721

AVAILABLE IN THE FOLLOWING STRAIN RELIEF STYLES: G

**STANDARD PROFILE**

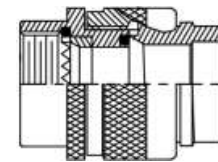


TF\*724

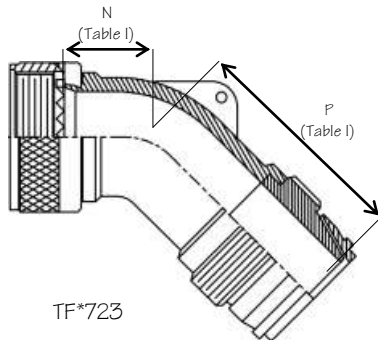


TF\*729

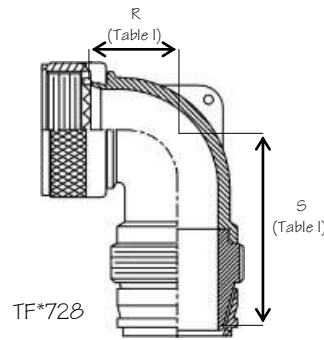
**DIRECT COUPLING OPTION**  
**(45° AND 90°)**



**LOW PROFILE**

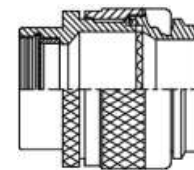


TF\*723



TF\*728

**DIRECT COUPLING OPTION**  
**(45° AND 90°)**



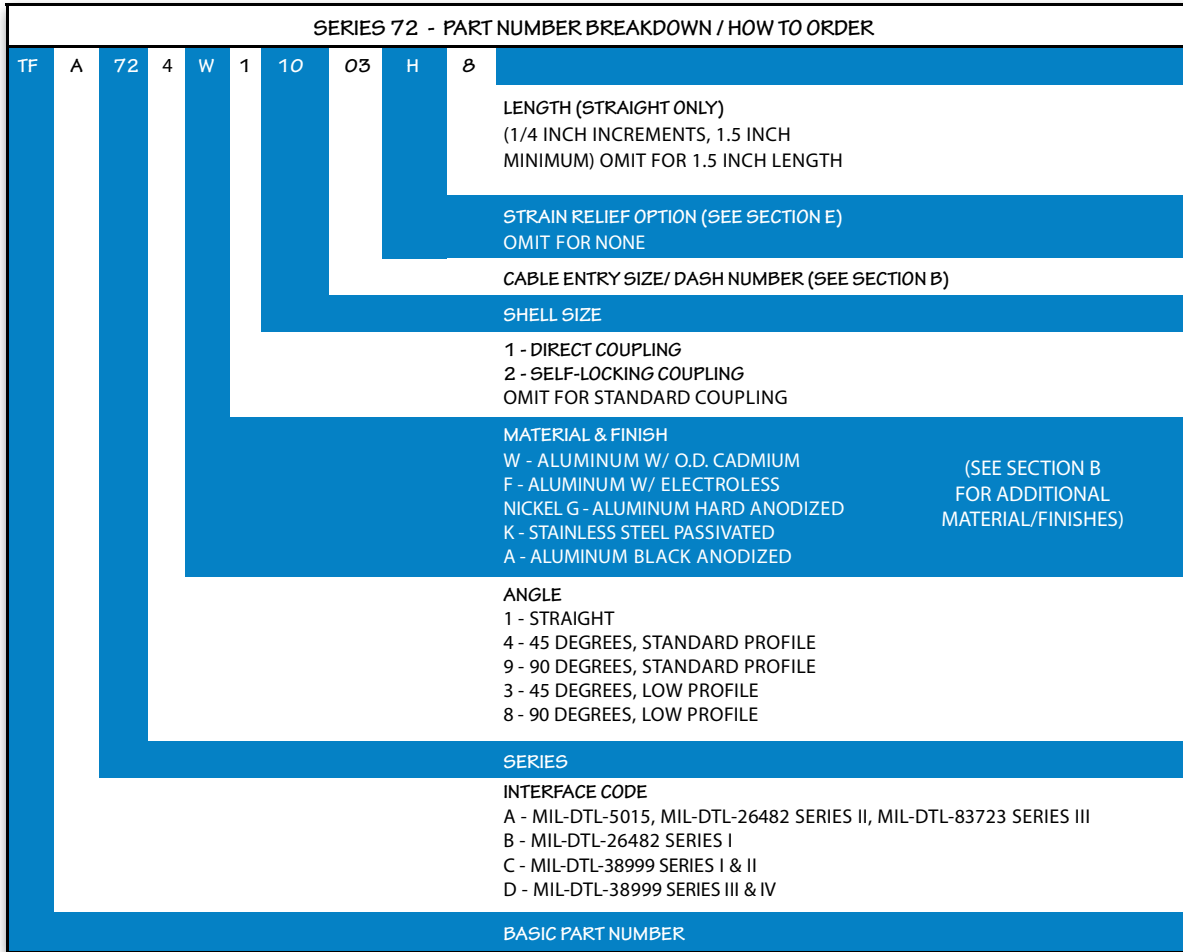
**TABLE I**  
**DIMENSIONAL CHART - 45 AND 90 DEGREE ADAPTERS**

SHELL SIZE	H MAX	J MAX	L MAX	M MAX	N MAX	P MAX	R MAX	S MAX
8, 9 (A)	.639 (16.2)	1.100 (27.9)	.750 (19.1)	1.210 (30.7)	.457 (11.6)	1.680 (42.7)	.500 (12.7)	1.781 (45.2)
10, 11 (B)	.664 (16.9)	1.130 (28.7)	.810 (20.6)	1.270 (32.3)	.520 (13.2)	1.740 (44.2)	.595 (15.1)	1.901 (48.3)
12, 13 (C)	.688 (17.5)	1.150 (29.2)	.870 (22.1)	1.330 (33.8)	.582 (14.8)	1.800 (45.7)	.610 (15.5)	1.921 (48.8)
14, 15 (D)	.705 (17.9)	1.180 (30.0)	.920 (23.4)	1.400 (35.6)	.645 (16.4)	1.890 (48.0)	.700 (17.8)	1.991 (50.6)
16, 17 (E)	.732 (18.6)	1.200 (30.5)	.980 (24.9)	1.460 (37.1)	.738 (18.7)	2.000 (50.8)	.885 (22.5)	2.081 (52.9)
18, 19 (F)	.748 (19.0)	1.210 (30.7)	1.020 (25.9)	1.480 (37.6)	.926 (23.5)	2.190 (55.6)	.975 (24.8)	2.251 (57.2)
20, 21 (G)	.773 (19.6)	1.230 (31.2)	1.080 (27.4)	1.540 (39.1)	.926 (23.5)	2.190 (55.6)	.975 (24.8)	2.251 (57.2)
22, 23 (H)	.800 (20.3)	1.270 (32.3)	1.140 (29.0)	1.620 (41.1)	1.020 (25.9)	2.340 (59.4)	1.125 (28.6)	2.361 (60.0)
24, 25 (J)	.823 (20.9)	1.300 (33.0)	1.200 (30.5)	1.690 (42.9)	1.020 (25.9)	2.340 (59.4)	1.125 (28.6)	2.361 (60.0)

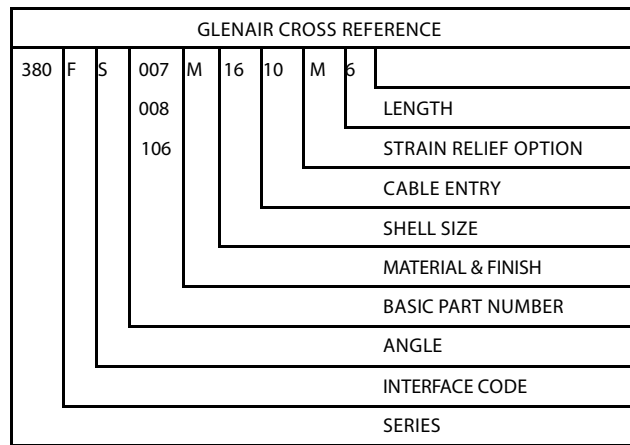


**EMI/RFI NON-ENVIRONMENTAL BACKSHELL**  
**TF\*721, TF\*723, TF\*724, TF\*728, TF\*729**  
**PART NUMBER BREAKDOWN & CROSS REFERENCE**

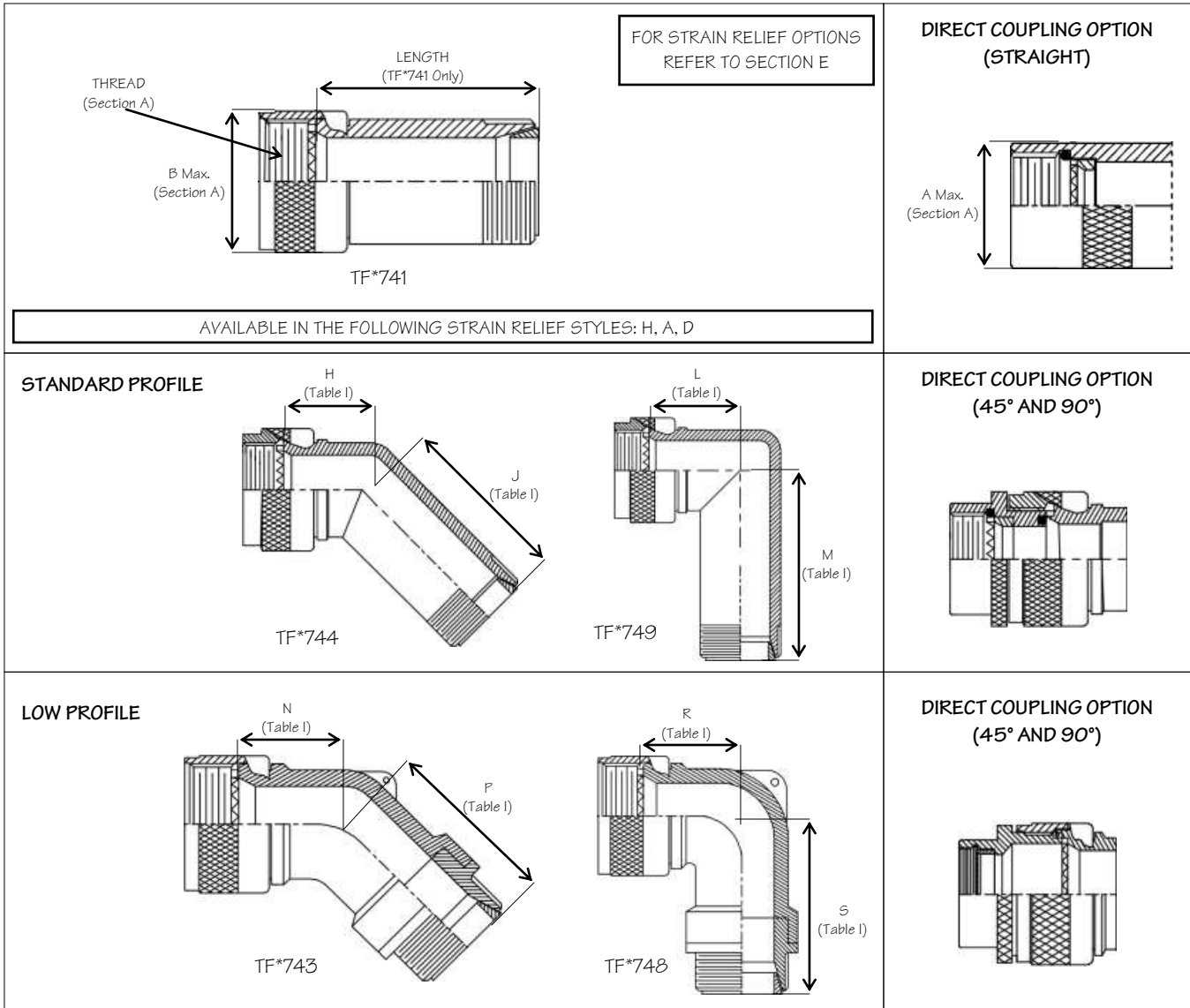
**SERIES**  
**72**



CROSS REFERENCE INFORMATION - FOR COMPLETE BREAKDOWN SEE APPENDIX A



**DISCLAIMER**  
 ALL INFORMATION IN THIS CATALOG IS BELIEVED TO BE RELIABLE. READERS SHOULD INDEPENDENTLY EVALUATE EACH PRODUCT TO CONFIRM SUITABILITY WITH HIS/HER SPECIFIC APPLICATION. TOPFLITE COMPONENTS MAKES NO WARRANTIES AS TO THE ACCURACY OR COMPLETENESS OF THE INFORMATION AND DISCLAIM ANY LIABILITY REGARDING ITS USE. SPECIFICATIONS ARE SUBJECT TO CHANGE WITHOUT NOTICE. TOPFLITE COMPONENTS PROCESSES OR MATERIALS THAT DO NOT AFFECT COMPLIANCE WITH ANY APPLICABLE SPECIFICATION ARE SUBJECT TO CHANGE WITHOUT NOTICE.



**TABLE I**

SHELL SIZE	H MAX	J MAX	L MAX	M MAX	N MAX	P MAX	R MAX	S MAX
8, 9 (A)	.639 (16.2)	.940 (23.9)	.750 (19.1)	1.050 (26.7)	.457 (11.6)	1.730 (43.9)	.560 (14.2)	1.680 (42.7)
10, 11 (B)	.664 (16.9)	.970 (24.6)	.810 (20.6)	1.110 (28.2)	.520 (13.2)	1.730 (43.9)	.660 (16.8)	1.800 (45.7)
12, 13 (C)	.688 (17.5)	.990 (25.1)	.870 (22.1)	1.170 (29.7)	.582 (14.8)	1.790 (45.5)	.670 (17.0)	1.820 (46.2)
14, 15 (D)	.705 (17.9)	1.020 (25.9)	.920 (23.4)	1.240 (31.5)	.645 (16.4)	1.880 (47.8)	.760 (19.3)	1.890 (48.0)
16, 17 (E)	.732 (18.6)	1.040 (26.4)	.980 (24.9)	1.300 (33.0)	.738 (18.7)	1.990 (50.5)	.950 (24.1)	1.980 (50.3)
18, 19 (F)	.748 (19.0)	1.050 (26.7)	1.020 (25.9)	1.320 (33.5)	.926 (23.5)	2.180 (55.4)	1.030 (26.2)	2.150 (54.6)
20, 21 (G)	.773 (19.6)	1.070 (27.2)	1.080 (27.4)	1.380 (35.1)	.926 (23.5)	2.180 (55.4)	1.030 (26.2)	2.150 (54.6)
22, 23 (H)	.800 (20.3)	1.110 (28.2)	1.140 (29.0)	1.460 (37.1)	1.020 (25.9)	2.330 (59.2)	1.180 (30.0)	2.260 (57.4)
24, 25 (J)	.823 (20.9)	1.140 (29.0)	1.200 (30.5)	1.530 (38.9)	1.020 (25.9)	2.330 (59.2)	1.180 (30.0)	2.260 (57.4)





**EMI/RFI NON-ENVIRONMENTAL BACKSHELL**  
**TF\*741, TF\*743, TF\*744, TF\*748, TF\*749**  
**PART NUMBER BREAKDOWN & CROSS REFERENCE**

**SERIES**  
**74**

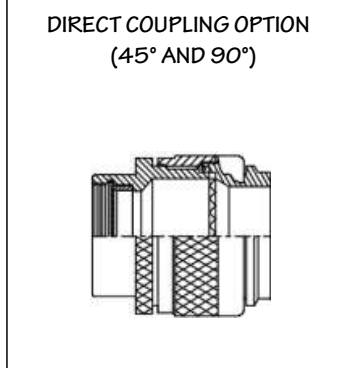
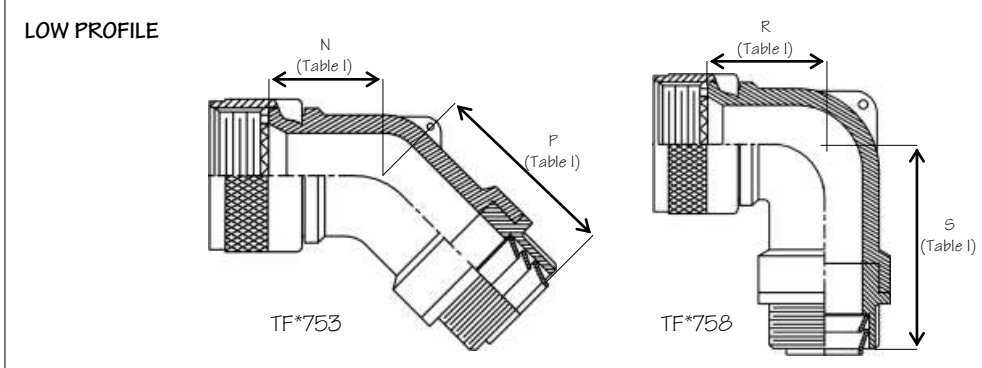
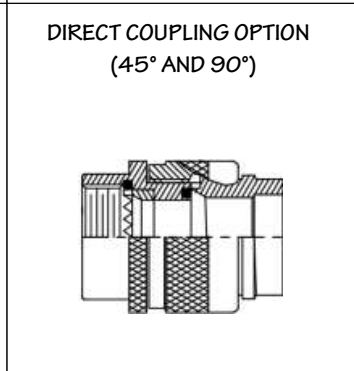
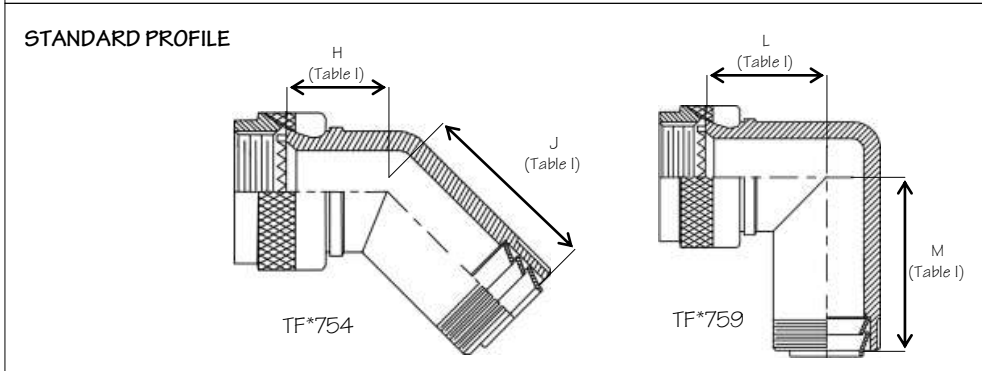
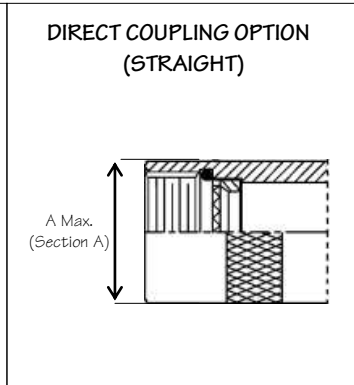
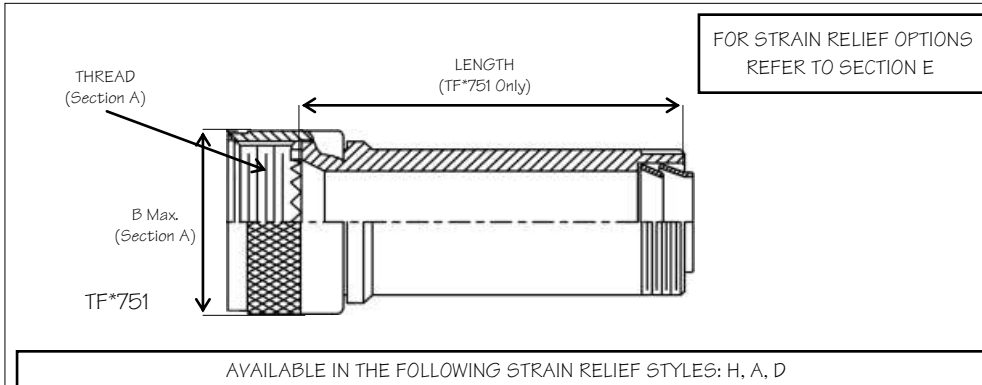
SERIES 74 - PART NUMBER BREAKDOWN / HOW TO ORDER										
TF	A	74	4	W	1	10	03	H	8	
										LENGTH (STRAIGHT ONLY) (1/4 INCH INCREMENTS, 1.5 INCH MINIMUM) OMIT FOR 1.5 INCH LENGTH
										STRAIN RELIEF OPTION (SEE SECTION E) OMIT FOR NONE
										CABLE ENTRY SIZE/ DASH NUMBER (SEE SECTION B)
										SHELL SIZE
										1 - DIRECT COUPLING 2 - SELF-LOCKING COUPLING OMIT FOR STANDARD COUPLING
										MATERIAL & FINISH W - ALUMINUM W/ O.D. CADMIUM F - ALUMINUM W/ ELECTROLESS NICKEL G - ALUMINUM HARD ANODIZED K - STAINLESS STEEL PASSIVATED A - ALUMINUM BLACK ANODIZED  (SEE SECTION B FOR ADDITIONAL MATERIAL/FINISHES)
										ANGLE 1 - STRAIGHT 4 - 45 DEGREES, STANDARD PROFILE 9 - 90 DEGREES, STANDARD PROFILE 3 - 45 DEGREES, LOW PROFILE 8 - 90 DEGREES, LOW PROFILE
										SERIES
										INTERFACE CODE A - MIL-DTL-5015, MIL-DTL-26482 SERIES II, MIL-DTL-83723 SERIES III B - MIL-DTL-26482 SERIES I C - MIL-DTL-38999 SERIES I & II D - MIL-DTL-38999 SERIES III & IV
										BASIC PART NUMBER

**CROSS REFERENCE INFORMATION - FOR COMPLETE BREAKDOWN SEE APPENDIX A**

GLENAIR CROSS REFERENCE										
380	F	S	013	M	16	10	M	6		
										LENGTH
										STRAIN RELIEF OPTION
										CABLE ENTRY
										SHELL SIZE
										MATERIAL & FINISH
										BASIC PART NUMBER
										ANGLE
										INTERFACE CODE
										SERIES

**DISCLAIMER**

ALL INFORMATION IN THIS CATALOG IS BELIEVED TO BE RELIABLE. READERS SHOULD INDEPENDENTLY EVALUATE EACH PRODUCT TO CONFIRM SUITABILITY WITH HIS/HER SPECIFIC APPLICATION. TOPFLITE COMPONENTS MAKES NO WARRANTIES AS TO THE ACCURACY OR COMPLETENESS OF THE INFORMATION AND DISCLAIM ANY LIABILITY REGARDING ITS USE. SPECIFICATIONS ARE SUBJECT TO CHANGE WITHOUT NOTICE. TOPFLITE COMPONENTS PROCESSES OR MATERIALS THAT DO NOT AFFECT COMPLIANCE WITH ANY APPLICABLE SPECIFICATION ARE SUBJECT TO CHANGE WITHOUT NOTICE.



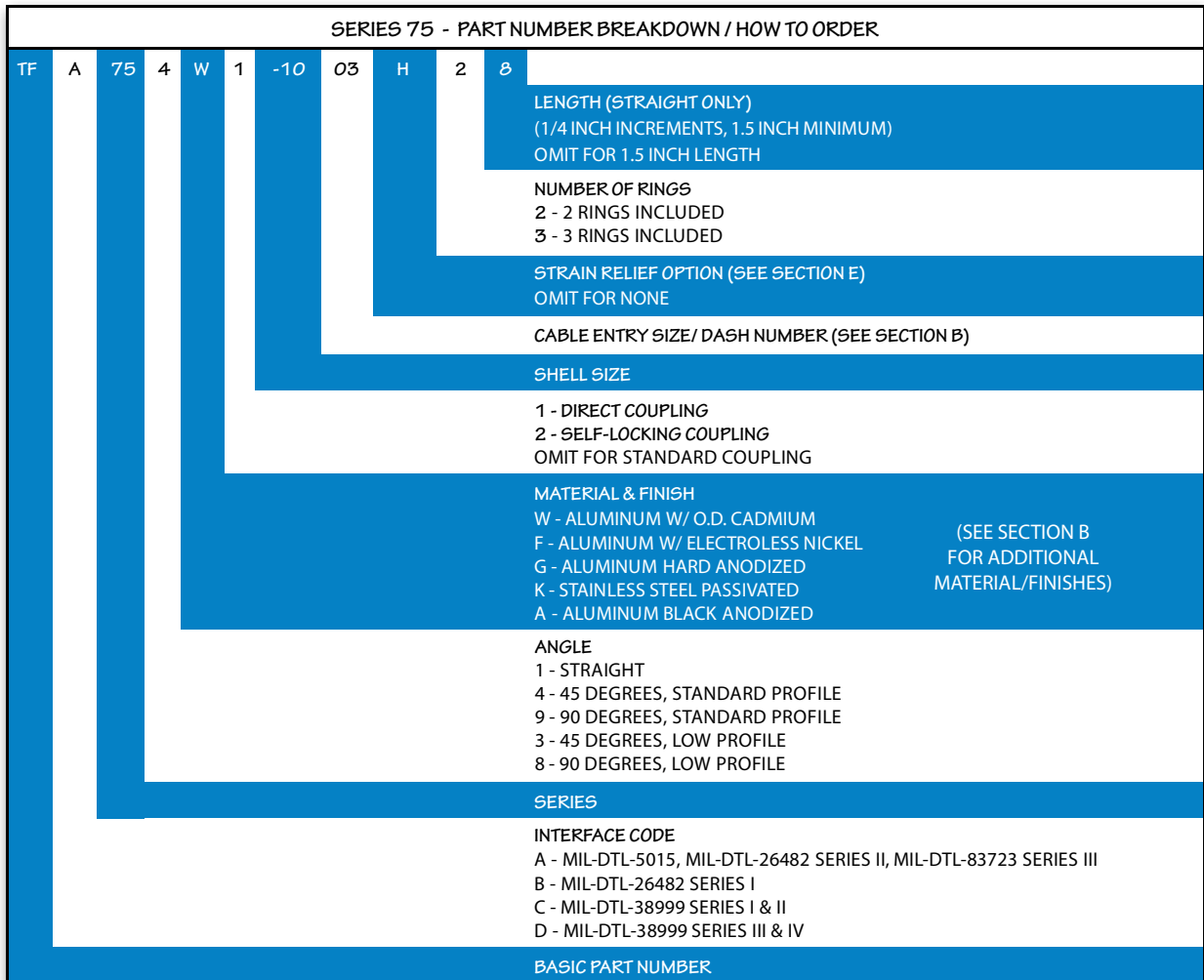
**TABLE I**  
**DIMENSIONAL CHART - 45 AND 90 DEGREE ADAPTERS**

SHELL SIZE	H MAX	J MAX	L MAX	M MAX	N MAX	P MAX	R MAX	S MAX
8, 9 (A)	.639 (16.2)	.950 (24.1)	.750 (19.1)	1.060 (26.9)	.457 (11.6)	1.470 (37.3)	.500 (12.7)	1.480 (37.6)
10, 11 (B)	.664 (16.9)	.980 (24.9)	.810 (20.6)	1.120 (28.4)	.520 (13.2)	1.530 (38.9)	.595 (15.1)	1.600 (40.6)
12, 13 (C)	.688 (17.5)	1.000 (25.4)	.870 (22.1)	1.180 (30.0)	.582 (14.8)	1.590 (40.4)	.610 (15.5)	1.620 (41.1)
14, 15 (D)	.705 (17.9)	1.030 (26.2)	.920 (23.4)	1.250 (31.8)	.645 (16.4)	1.680 (42.7)	.700 (17.8)	1.690 (42.9)
16, 17 (E)	.732 (18.6)	1.050 (26.7)	.980 (24.9)	1.310 (33.3)	.738 (18.7)	1.790 (45.5)	.885 (22.5)	1.950 (49.5)
18, 19 (F)	.748 (19.0)	1.060 (26.9)	1.020 (25.9)	1.330 (33.8)	.926 (23.5)	1.980 (50.3)	.975 (24.8)	2.060 (52.3)
20, 21 (G)	.773 (19.6)	1.080 (27.4)	1.080 (27.4)	1.390 (35.3)	.926 (23.5)	1.980 (50.3)	.975 (24.8)	2.060 (52.3)
22, 23 (H)	.800 (20.3)	1.120 (28.4)	1.140 (29.0)	1.470 (37.3)	1.020 (25.9)	2.130 (54.1)	1.125 (28.6)	2.060 (52.3)
24, 25 (J)	.823 (20.9)	1.150 (29.2)	1.200 (30.5)	1.540 (39.1)	1.020 (25.9)	2.130 (54.1)	1.125 (28.6)	2.060 (52.3)

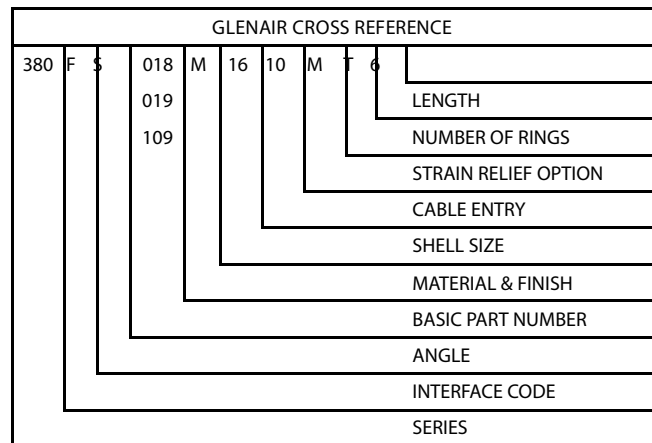


**EMI/RFI NON-ENVIRONMENTAL BACKSHELL**  
**TF\*751, TF\*753, TF\*754, TF\*758, TF\*759**  
**PART NUMBER BREAKDOWN & CROSS REFERENCE**

**SERIES**  
**75**

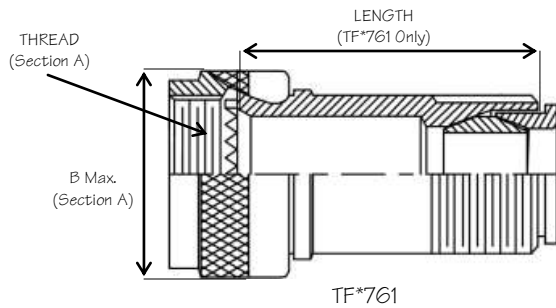


CROSS REFERENCE INFORMATION - FOR COMPLETE BREAKDOWN SEE APPENDIX A



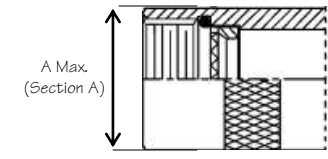
**DISCLAIMER**

ALL INFORMATION IN THIS CATALOG IS BELIEVED TO BE RELIABLE. READERS SHOULD INDEPENDENTLY EVALUATE EACH PRODUCT TO CONFIRM SUITABILITY WITH HIS/HER SPECIFIC APPLICATION. TOPFLITE COMPONENTS MAKES NO WARRANTIES AS TO THE ACCURACY OR COMPLETENESS OF THE INFORMATION AND DISCLAIM ANY LIABILITY REGARDING ITS USE. SPECIFICATIONS ARE SUBJECT TO CHANGE WITHOUT NOTICE. TOPFLITE COMPONENTS PROCESSES OR MATERIALS THAT DO NOT AFFECT COMPLIANCE WITH ANY APPLICABLE SPECIFICATION ARE SUBJECT TO CHANGE WITHOUT NOTICE.



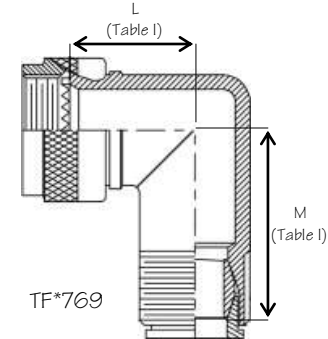
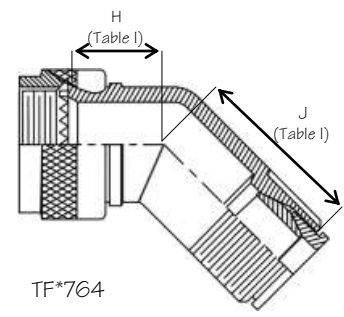
FOR STRAIN RELIEF OPTIONS  
REFER TO SECTION E

**DIRECT COUPLING OPTION  
(STRAIGHT)**

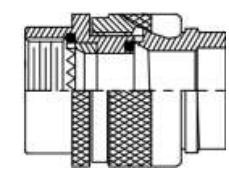


AVAILABLE IN THE FOLLOWING STRAIN RELIEF STYLES: H, A, D

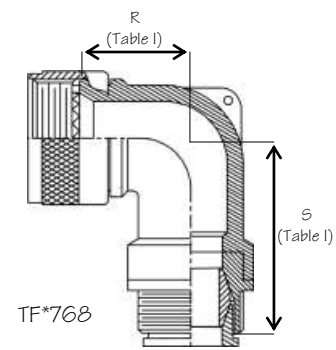
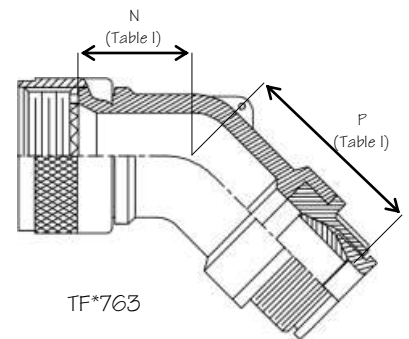
**STANDARD PROFILE**



**DIRECT COUPLING OPTION  
(45° AND 90°)**



**LOW PROFILE**



**DIRECT COUPLING OPTION  
(45° AND 90°)**

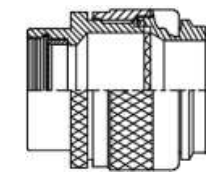
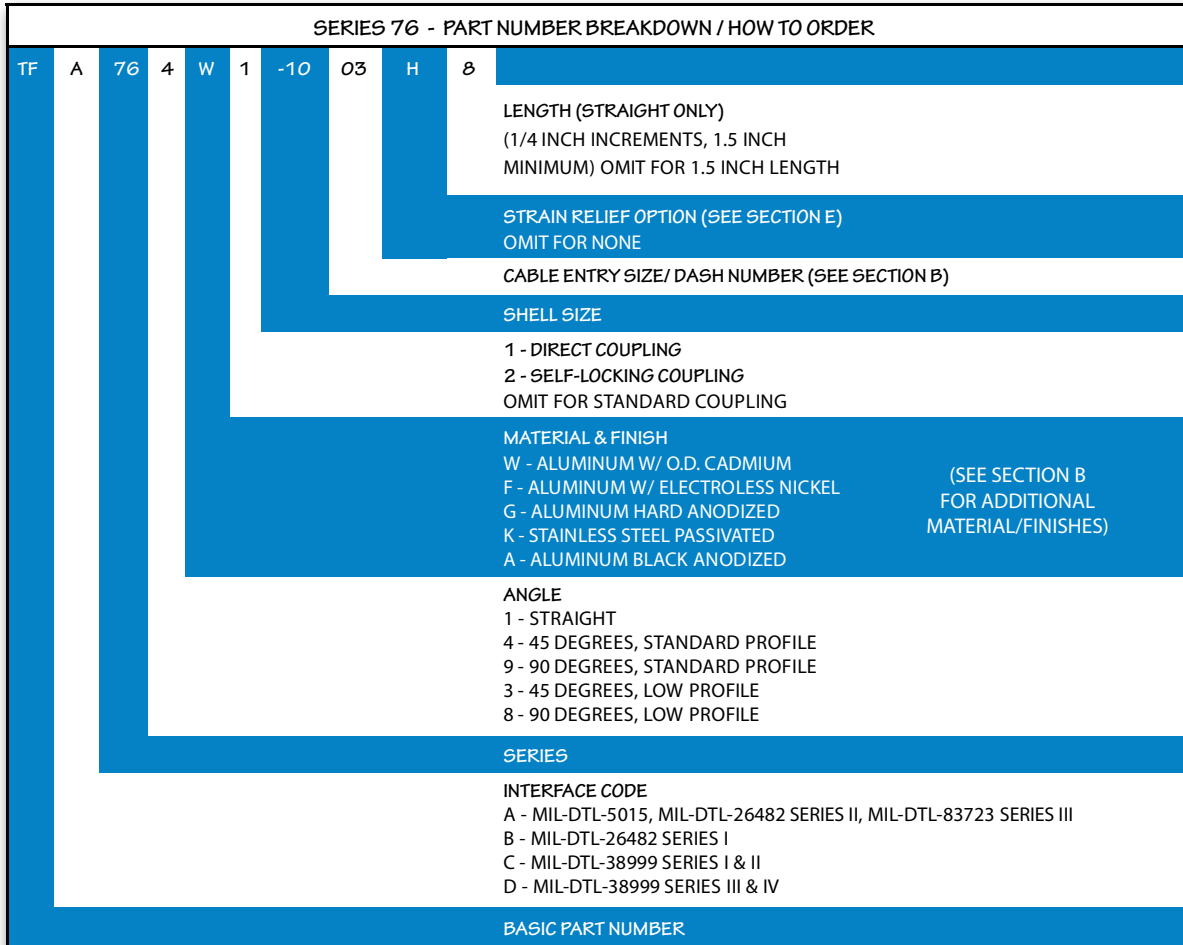


TABLE I DIMENSIONAL CHART - 45 AND 90 DEGREE ADAPTERS								
SHELL SIZE	H MAX	J MAX	L MAX	M MAX	N MAX	P MAX	R MAX	S MAX
8, 9 (A)	.639 (16.2)	1.015 (25.8)	.750 (19.1)	1.125 (28.6)	.457 (11.6)	1.602 (40.7)	.500 (12.7)	1.612 (40.9)
10, 11 (B)	.664 (16.9)	1.045 (26.5)	.810 (20.6)	1.185 (30.1)	.520 (13.2)	1.662 (42.2)	.595 (15.1)	1.732 (44.0)
12, 13 (C)	.688 (17.5)	1.065 (27.1)	.870 (22.1)	1.245 (31.6)	.582 (14.8)	1.722 (43.7)	.610 (15.5)	1.752 (44.5)
14, 15 (D)	.705 (17.9)	1.095 (27.8)	.920 (23.4)	1.315 (33.4)	.645 (16.4)	2.062 (52.4)	.700 (17.8)	2.072 (52.6)
16, 17 (E)	.732 (18.6)	1.115 (28.3)	.980 (24.9)	1.375 (34.9)	.738 (18.7)	2.172 (55.2)	.885 (22.5)	2.162 (54.9)
18, 19 (F)	.748 (19.0)	1.125 (28.6)	1.020 (25.9)	1.395 (35.4)	.926 (23.5)	2.362 (60.0)	.975 (24.8)	2.332 (59.2)
20, 21 (G)	.773 (19.6)	1.145 (29.1)	1.080 (27.4)	1.445 (36.7)	.926 (23.5)	2.362 (60.0)	.975 (24.8)	2.332 (59.2)
22, 23 (H)	.800 (20.3)	1.185 (30.1)	1.140 (29.0)	1.535 (39.0)	1.020 (25.9)	2.512 (63.8)	1.125 (28.6)	2.442 (62.0)
24, 25 (J)	.823 (20.9)	1.215 (30.9)	1.200 (30.5)	1.605 (40.8)	1.020 (25.9)	2.512 (63.8)	1.125 (28.6)	2.442 (62.0)

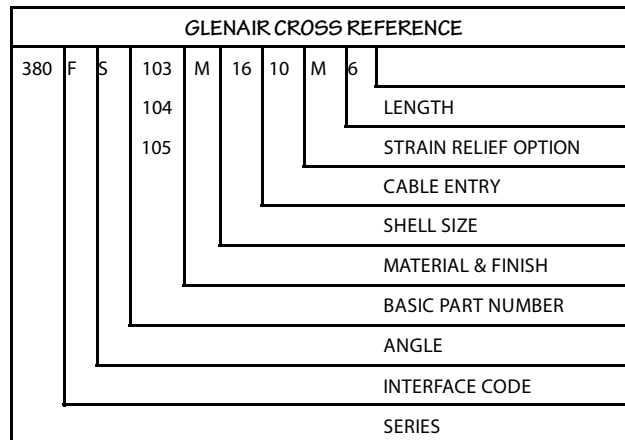


**EMI/RFI NON-ENVIRONMENTAL BACKSHELL**  
**TF\*761, TF\*763, TF\*764, TF\*768, TF\*769**  
**PART NUMBER BREAKDOWN & CROSS REFERENCE**

**SERIES**  
**76**



CROSS REFERENCE INFORMATION - FOR COMPLETE BREAKDOWN SEE APPENDIX A

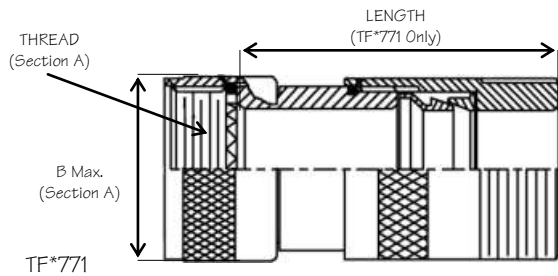


**DISCLAIMER**

ALL INFORMATION IN THIS CATALOG IS BELIEVED TO BE RELIABLE. READERS SHOULD INDEPENDENTLY EVALUATE EACH PRODUCT TO CONFIRM SUITABILITY WITH HIS/HER SPECIFIC APPLICATION. TOPFLITE COMPONENTS MAKES NO WARRANTIES AS TO THE ACCURACY OR COMPLETENESS OF THE INFORMATION AND DISCLAIM ANY LIABILITY REGARDING ITS USE. SPECIFICATIONS ARE SUBJECT TO CHANGE WITHOUT NOTICE. TOPFLITE COMPONENTS PROCESSES OR MATERIALS THAT DO NOT AFFECT COMPLIANCE WITH ANY APPLICABLE SPECIFICATION ARE SUBJECT TO CHANGE WITHOUT NOTICE.

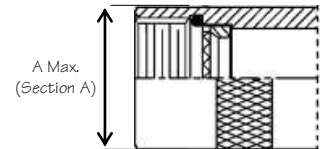
# SECTION 77

## EMI/RFI NON-ENVIRONMENTAL BACKSHELL TF\*771, TF\*773, TF\*774, TF\*778, TF\*779 INNER OR OUTER SHIELD TERMINATION



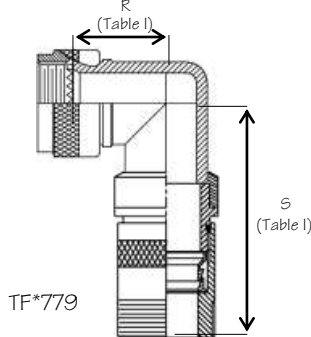
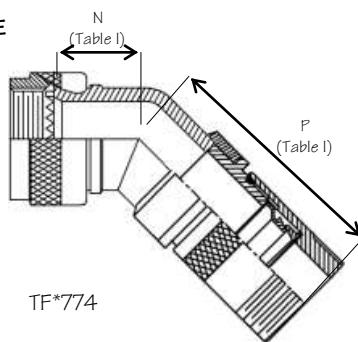
FOR STRAIN RELIEF OPTIONS  
REFER TO SECTION E

DIRECT COUPLING OPTION  
(STRAIGHT)

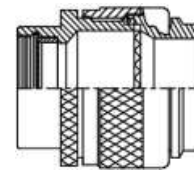


AVAILABLE IN THE FOLLOWING STRAIN RELIEF STYLES: H, A, D

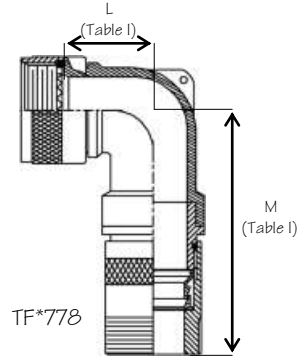
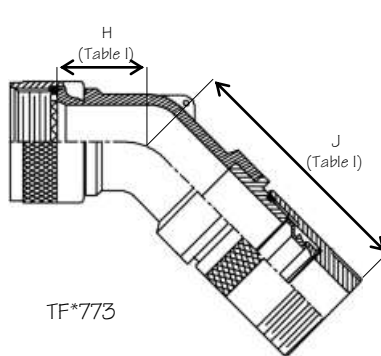
STANDARD PROFILE



DIRECT COUPLING OPTION  
(45° AND 90°)



LOW PROFILE



DIRECT COUPLING OPTION  
(45° AND 90°)

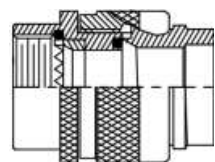


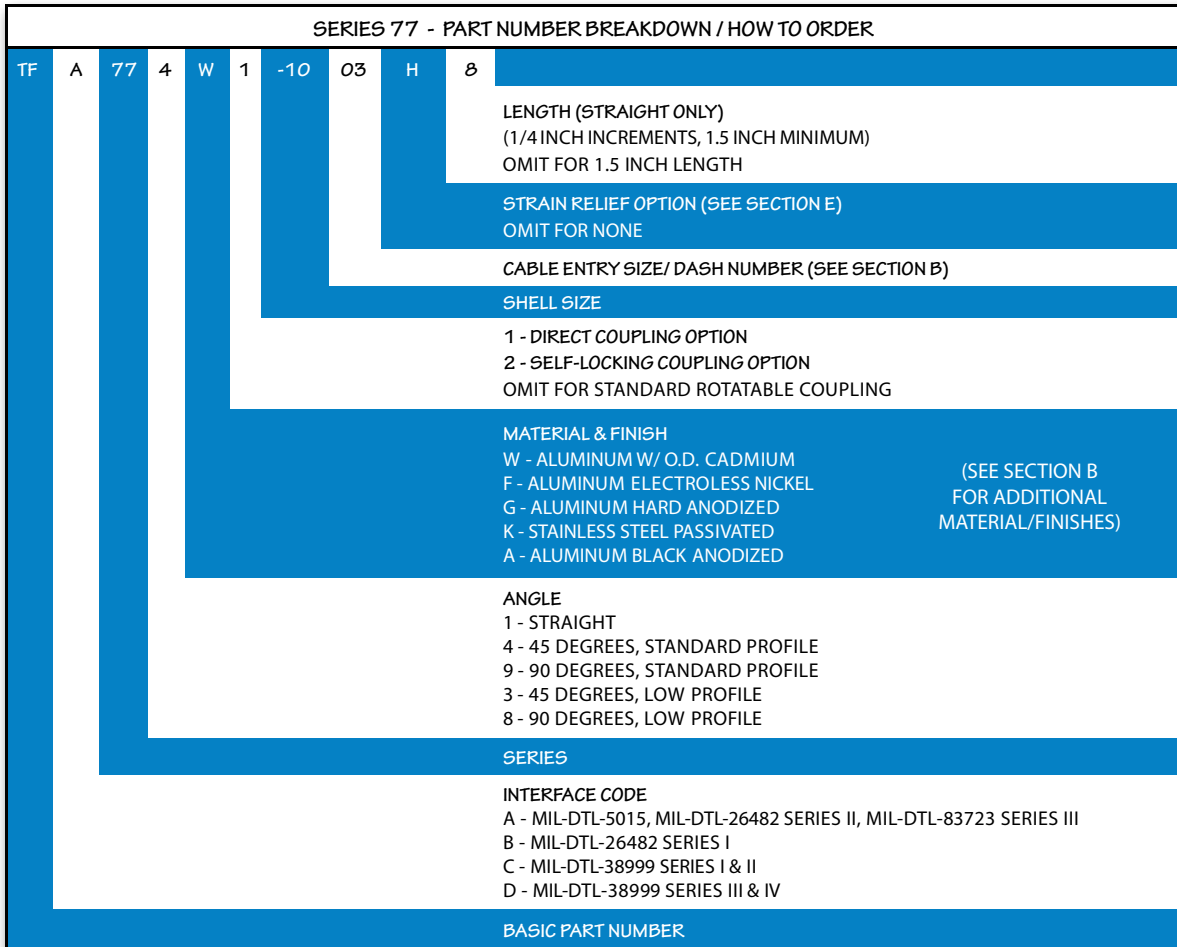
TABLE I  
DIMENSIONAL CHART - 45 AND 90 DEGREE ADAPTERS

SHELL SIZE	H MAX	J MAX	L MAX	M MAX	N MAX	P MAX	R MAX	S MAX
8, 9 (A)	.457 (11.6)	3.460 (87.9)	.510 (13.0)	3.460 (87.9)	.639 (16.2)	3.460 (87.9)	.750 (19.1)	3.460 (87.9)
10, 11 (B)	.520 (13.2)	3.520 (89.4)	.595 (15.1)	3.590 (91.2)	.664 (16.9)	3.520 (89.4)	.810 (20.6)	3.590 (91.2)
12, 13 (C)	.582 (14.8)	3.580 (90.9)	.610 (15.5)	3.610 (91.7)	.688 (17.5)	3.580 (90.9)	.870 (22.1)	3.610 (91.7)
14, 15 (D)	.645 (16.4)	3.900 (99.1)	.700 (17.8)	3.910 (99.3)	.705 (17.9)	3.900 (99.1)	.920 (23.4)	3.910 (99.3)
16, 17 (E)	.738 (18.7)	4.010 (101.9)	.885 (22.5)	4.000 (101.6)	.732 (18.6)	4.010 (101.9)	.980 (24.9)	4.000 (101.6)
18, 19 (F)	.926 (23.5)	4.200 (106.7)	.975 (24.8)	4.170 (105.9)	.748 (19.0)	4.200 (106.7)	1.020 (25.9)	4.170 (105.9)
20, 21 (G)	.926 (23.5)	4.200 (106.7)	.975 (24.8)	4.170 (105.9)	.773 (19.6)	4.200 (106.7)	1.080 (27.4)	4.170 (105.9)
22, 23 (H)	1.020 (25.9)	4.350 (110.5)	1.125 (28.6)	4.280 (108.7)	.800 (20.3)	4.350 (110.5)	1.140 (29.0)	4.280 (108.7)
24, 25 (J)	1.020 (25.9)	4.350 (110.5)	1.125 (28.6)	4.280 (108.7)	.823 (20.9)	4.350 (110.5)	1.200 (30.5)	4.280 (108.7)

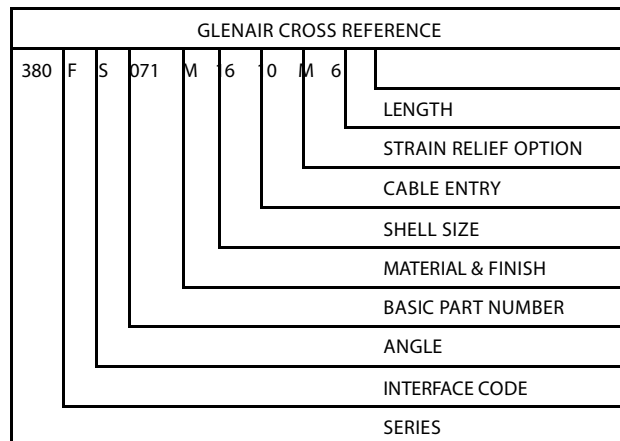


**EMI/RFI NON-ENVIRONMENTAL BACKSHELL**  
**TF\*771, TF\*773, TF\*774, TF\*778, TF\*779**  
**PART NUMBER BREAKDOWN & CROSS REFERENCE**

**SECTION**  
**77**



CROSS REFERENCE INFORMATION - FOR COMPLETE BREAKDOWN SEE APPENDIX A



**DISCLAIMER**

ALL INFORMATION IN THIS CATALOG IS BELIEVED TO BE RELIABLE. READERS SHOULD INDEPENDENTLY EVALUATE EACH PRODUCT TO CONFIRM SUITABILITY WITH HIS/HER SPECIFIC APPLICATION. TOPFLITE COMPONENTS MAKES NO WARRANTIES AS TO THE ACCURACY OR COMPLETENESS OF THE INFORMATION AND DISCLAIM ANY LIABILITY REGARDING ITS USE. SPECIFICATIONS ARE SUBJECT TO CHANGE WITHOUT NOTICE. TOPFLITE COMPONENTS PROCESSES OR MATERIALS THAT DO NOT AFFECT COMPLIANCE WITH ANY APPLICABLE SPECIFICATION ARE SUBJECT TO CHANGE WITHOUT NOTICE.