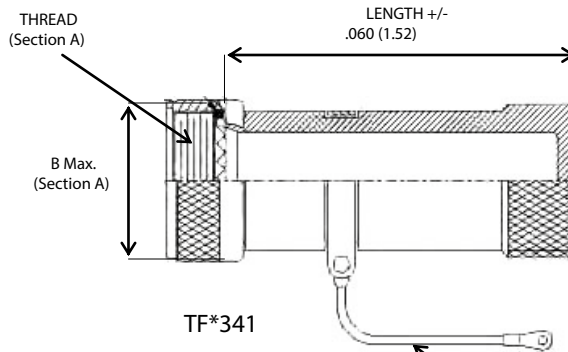


# CONNECTOR ACCESSORIES



TOPFLITE MANUFACTURES A NUMBER OF CONNECTOR ACCESSORIES INCLUDING SHORTING CAPS, DUMMY STOWAGE RECEPTACLES AND CONNECTOR EXTENDERS

SERIES	DESCRIPTION	PAGE
34	O-RING SEALED SHORTING CAN BACKSHELL	112
38	CONNECTOR EXTENDER BACKSHELL	114
53	DUMMY STOWAGE RECEPTACLE	116



FOR LANYARD / ATTACHMENT OPTIONS AND SPECIFICATIONS SEE SECTION F

PARTIAL INFORMATION FROM SECTION F

**LANYARDS**



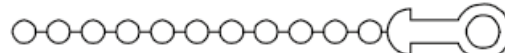
#8 STAINLESS STEEL SASH CHAIN



STAINLESS STEEL WIRE ROPE WITH CHOICE OF JACKET MATERIAL



NYLON ROPE, BLACK



STAINLESS STEEL BEAD CHAIN

TABLE II - LANYARD OPTIONS	
ORDERING CODE	DESCRIPTION
X	NO ACCESSORY
R	STAINLESS STEEL WIRE ROPE, PVC JACKET
B	STAINLESS STEEL BEAD CHAIN
S	STAINLESS STEEL SASH CHAIN
G	NYLON ROPE, BLACK
Y	STAINLESS STEEL WIRE ROPE, NYLON JACKET
T	STAINLESS STEEL WIRE ROPE, TEFLON JACKET



**O-RING SEALED SHORTING CAN BACKSHELL**  
**TF\*341**  
**PART NUMBER BREAKDOWN & CROSS REFERENCE**

**SERIES**  
**34**

SERIES 34 - PART NUMBER BREAKDOWN / HOW TO ORDER											
TF	A	34	1	W	1	16	04	T	3.5	01	
EYELET DIMENSION (SEE SECTION F)											
LANYARD LENGTH (SEE SECTION F)											
TERMINATION OPTION (SEE SECTION F)											
BACKSHELL LENGTH 1/4 INCH INCREMENTS, 1 INCH MINIMUM (2 digits, ie 1 inch=04)											
SHELL SIZE											
1 - DIRECT COUPLIN 2 - SELF-LOCKING COUPLING OMIT FOR STANDARD COUPLING											
MATERIAL & FINISH W - ALUMINUM W/ O.D. CADMIUM F - ALUMINUM W/ ELECTROLESS NICKEL G - ALUMINUM HARD ANODIZED K - STAINLESS STEEL PASSIVATED A - ALUMINUM BLACK ANODIZED  (SEE SECTION B FOR ADDITIONAL MATERIAL/FINISHES)											
ANGLE 1 - STRAIGHT											
SERIES											
INTERFACE CODE A - MIL-DTL-5015, MIL-DTL-26482 SERIES II, MIL-DTL-83723 SERIES III B - MIL-DTL-26482 SERIES I C - MIL-DTL-38999 SERIES I & II D - MIL-DTL-38999 SERIES III & IV											
BASIC PART NUMBER											

**CROSS REFERENCE INFORMATION - FOR COMPLETE BREAKDOWN SEE APPENDIX A**

GLENAIR CROSS REFERENCE											
340	A	S	001	M	1	6	-5	H	6	A	
002											
END FITTING											
LANYARD LENGTH											
LANYARD STYLE											
LENGTH											
SHELL SIZE											
MATERIAL & FINISH											
BASIC PART NUMBER											
ANGLE											
INTERFACE CODE											
SERIES											

SUNBANK CROSS REFERENCE											
S2540	A	12	F2	-4.5	-12	-2.0					
LENGTH											
MATERIAL &											
FINISH LANYARD											
LENGTH LANYARD											
STYLE SHELL SIZE											
INTERFACE CODE											
SERIES											

**DISCLAIMER**

ALL INFORMATION IN THIS CATALOG IS BELIEVED TO BE RELIABLE. READERS SHOULD INDEPENDENTLY EVALUATE EACH PRODUCT TO CONFIRM SUITABILITY WITH HIS/HER SPECIFIC APPLICATION. TOPFLITE COMPONENTS MAKES NO WARRANTIES AS TO THE ACCURACY OR COMPLETENESS OF THE INFORMATION AND DISCLAIM ANY LIABILITY REGARDING ITS USE. SPECIFICATIONS ARE SUBJECT TO CHANGE WITHOUT NOTICE. TOPFLITE COMPONENTS PROCESSES OR MATERIALS THAT DO NOT AFFECT COMPLIANCE WITH ANY APPLICABLE SPECIFICATION ARE SUBJECT TO CHANGE WITHOUT NOTICE.

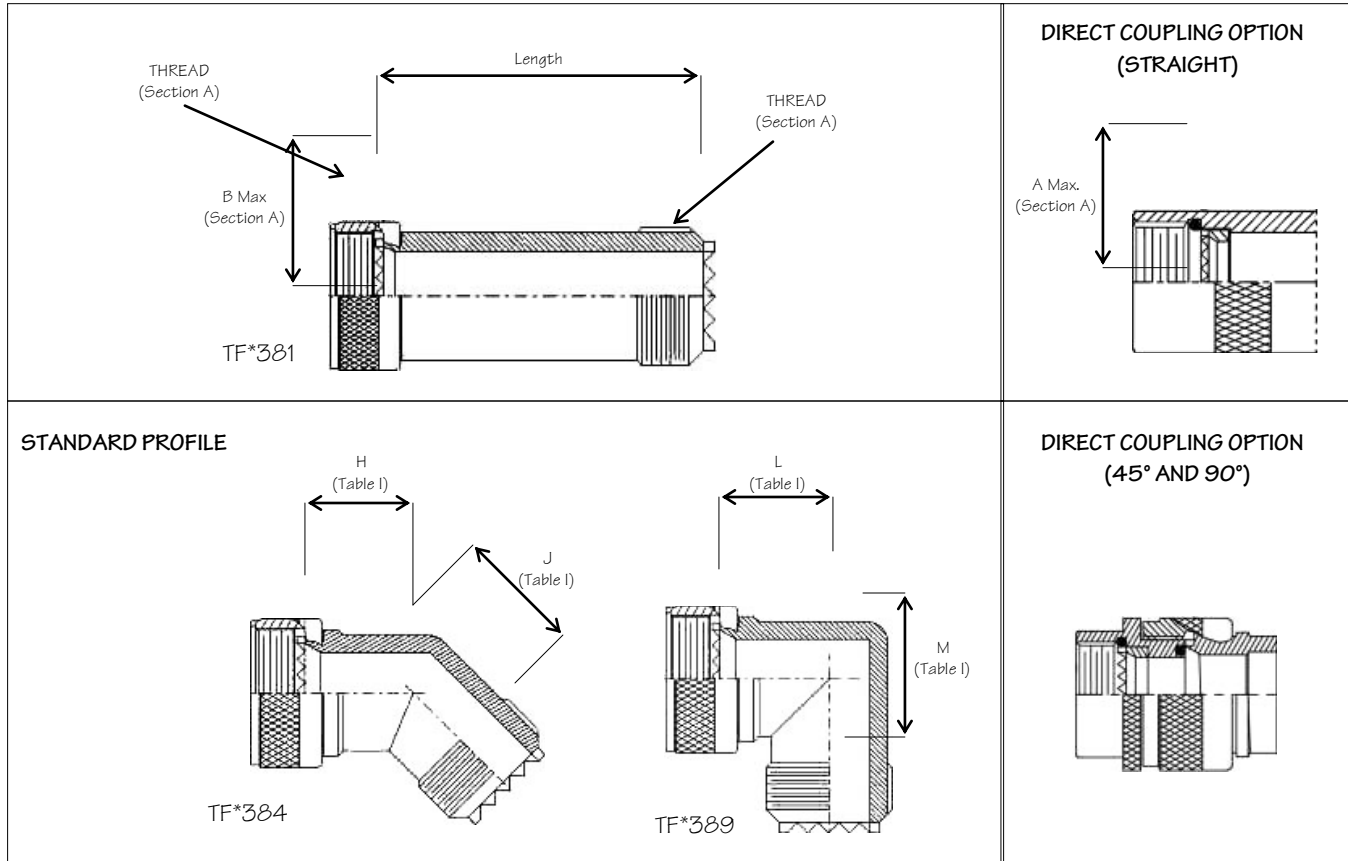


TABLE I DIMENSIONAL CHART - 45 AND 90 DEGREE ADAPTERS				
SHELL SIZE	H	J	L	M
8, 9 (A)	.940 (23.9)	.890 (22.6)	.830 (21.1)	1.000 (25.4)
10, 11 (B)	1.010 (25.7)	.920 (23.4)	.860 (21.8)	1.070 (27.2)
12, 13 (C)	1.070 (27.2)	.942 (23.9)	.882 (22.4)	1.130 (28.7)
14, 15 (D)	1.130 (28.7)	.970 (24.6)	.900 (22.9)	1.190 (30.2)
16, 17 (E)	1.190 (30.2)	.990 (25.1)	.930 (23.6)	1.250 (31.8)
18, 19 (F)	1.240 (31.5)	1.010 (25.7)	.950 (24.1)	1.300 (33.0)
20, 21 (G)	1.310 (33.3)	1.040 (26.4)	.980 (24.9)	1.370 (34.8)
22, 23 (H)	1.360 (34.5)	1.060 (26.9)	1.000 (25.4)	1.420 (36.1)
24, 25 (J)	1.540 (39.1)	1.090 (27.7)	1.030 (26.2)	1.490 (37.8)



**CONNECTOR EXTENDER BACKSHELL**  
**TF\*381, TF\*384, TF\*389**  
**PART NUMBER BREAKDOWN & CROSS REFERENCE**

**SERIES**  
**38**

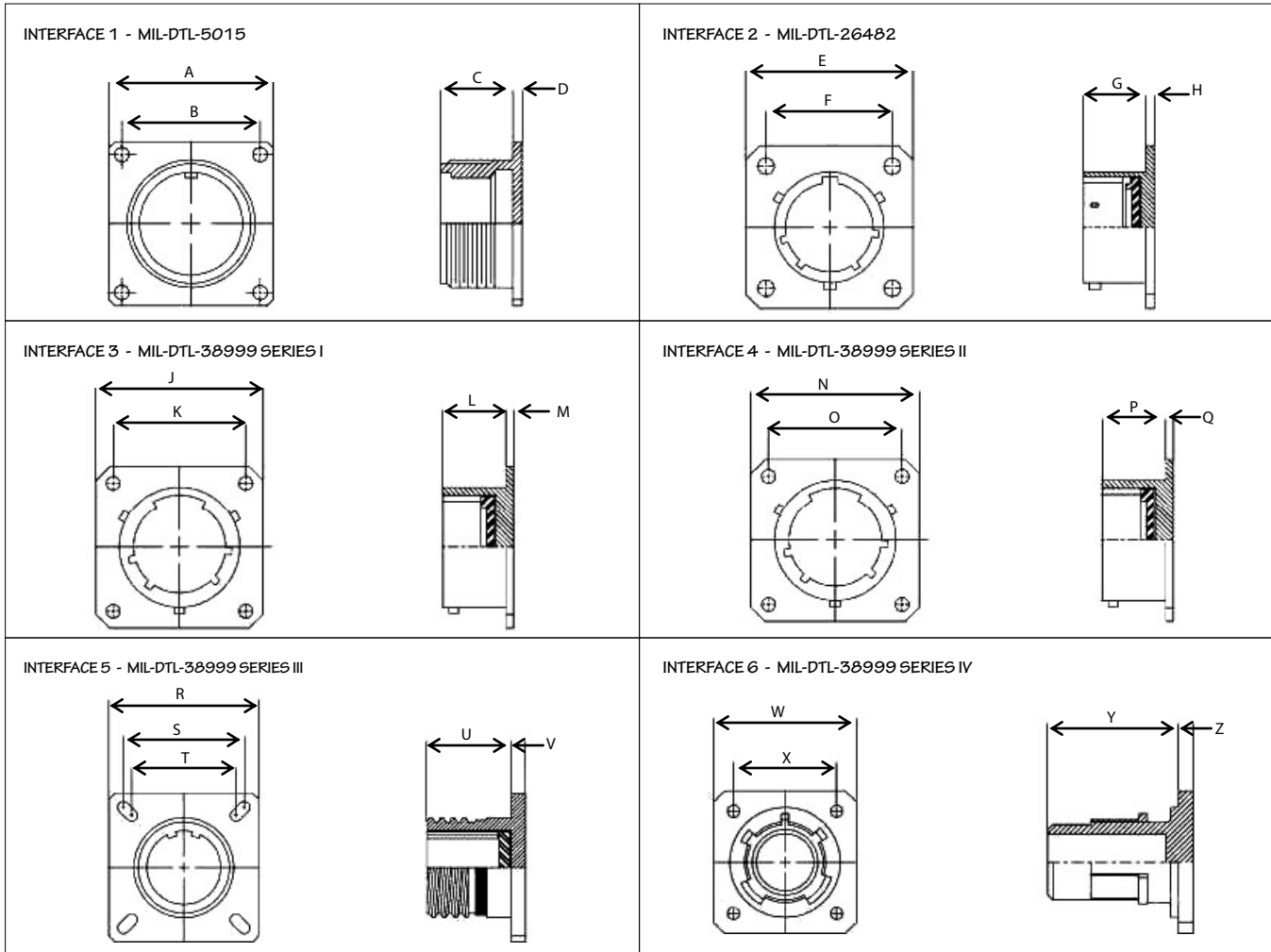
SERIES 38 - PART NUMBER BREAKDOWN / HOW TO ORDER							
TF	A	38	4	W	1	-10	8
LENGTH (STRAIGHT ONLY) (1/4 INCH INCREMENTS, 1.5 INCH MINIMUM) OMIT FOR 1.5 INCH LENGTH							
SHELL SIZE							
1 - DIRECT COUPLING 2 - SELF-LOCKING COUPLING OMIT FOR STANDARD COUPLING							
MATERIAL & FINISH W - ALUMINUM W/ O.D. CADMIUM F - ALUMINUM W/ ELECTROLESS NICKEL G - ALUMINUM HARD ANODIZED K - STAINLESS STEEL PASSIVATED A - ALUMINUM BLACK ANODIZED  (SEE SECTION B FOR ADDITIONAL MATERIAL/FINISHES)							
ANGLE 1 - STRAIGHT 4 - 45 DEGREES, STANDARD PROFILE 9 - 90 DEGREES, STANDARD PROFILE							
SERIES							
INTERFACE CODE A - MIL-DTL-5015, MIL-DTL-26482 SERIES II, MIL-DTL-83723 SERIES III B - MIL-DTL-26482 SERIES I C - MIL-DTL-38999 SERIES I & II D - MIL-DTL-38999 SERIES III & IV							
BASIC PART NUMBER							

CROSS REFERENCE INFORMATION - FOR COMPLETE BREAKDOWN SEE APPENDIX A

GLENAIR CROSS REFERENCE							
320	A	S	001	M	16	5	
			002				LENGTH
							SHELL SIZE
							MATERIAL & FINISH
							BASIC PART NUMBER
							ANGLE
							INTERFACE CODE
							SERIES

**DISCLAIMER**

ALL INFORMATION IN THIS CATALOG IS BELIEVED TO BE RELIABLE. READERS SHOULD INDEPENDENTLY EVALUATE EACH PRODUCT TO CONFIRM SUITABILITY WITH HIS/HER SPECIFIC APPLICATION. TOPFLITE COMPONENTS MAKES NO WARRANTIES AS TO THE ACCURACY OR COMPLETENESS OF THE INFORMATION AND DISCLAIM ANY LIABILITY REGARDING ITS USE. SPECIFICATIONS ARE SUBJECT TO CHANGE WITHOUT NOTICE. TOPFLITE COMPONENTS PROCESSES OR MATERIALS THAT DO NOT AFFECT COMPLIANCE WITH ANY APPLICABLE SPECIFICATION ARE SUBJECT TO CHANGE WITHOUT NOTICE.



SERIES 53 - PART NUMBER BREAKDOWN / HOW TO ORDER					
TF	F	53	W	10	
<b>SHELL SIZE</b>					
<b>MATERIAL &amp; FINISH</b>					
W - ALUMINUM W/ O.D. CADMIUM					
F - ALUMINUM W/ ELECTROLESS NICKEL					
G - ALUMINUM HARD ANODIZED					
K - STAINLESS STEEL PASSIVATED					
A - ALUMINUM BLACK ANODIZED					
<b>SERIES</b>					
<b>INTERFACE</b>					
A - MIL-DTL-5015					
B - MIL-DTL-26482					
C - MIL-DTL-38999 SERIES I					
D - MIL-DTL-38999 SERIES II					
E - MIL-DTL-38999 SERIES III					
F - MIL-DTL-38999 SERIES IV					
<b>BASIC PART NUMBER</b>					

(SEE SECTION B  
FOR ADDITIONAL  
MATERIAL/FINISHES)



**DUMMY STOWAGE RECEPTACLE**  
**TF\*53\***  
**53 STANDARD**

**SERIES**  
**53**

MIL-DTL-5015; MIL-DTL-26482								
SHELL SIZE	A	B	C	D	E	F	G	H
8, 8S	.906 (23.0)	.594 (15.1)	.593 (15.1)	.156 (4.0)	.828 (21.0)	.594 (15.1)	.478 (12.1)	.062 (1.6)
10, 10S	1.031 (26.2)	.719 (18.3)	.593 (15.1)	.156 (4.0)	.954 (24.2)	.719 (18.3)	.478 (12.1)	.062 (1.6)
12S	1.125 (28.6)	.812 (20.6)	.593 (15.1)	.156 (4.0)	N/A	N/A	N/A	N/A
12	1.125 (28.6)	.812 (20.6)	.781 (19.8)	.156 (4.0)	1.047 (26.6)	.812 (20.6)	.478 (12.1)	.062 (1.6)
14S	1.219 (31.0)	.906 (23.0)	.593 (15.1)	.156 (4.0)	N/A	N/A	N/A	N/A
14	1.219 (31.0)	.906 (23.0)	.781 (19.8)	.156 (4.0)	1.141 (29.0)	.906 (23.0)	.478 (12.1)	.062 (1.6)
16S	1.312 (33.3)	.969 (24.6)	.593 (15.1)	.156 (4.0)	N/A	N/A	N/A	N/A
16	1.312 (33.3)	.969 (24.6)	.781 (19.8)	.156 (4.0)	1.234 (31.3)	.969 (24.6)	.478 (12.1)	.062 (1.6)
18	1.406 (35.7)	1.062 (27.0)	.781 (19.8)	.203 (5.2)	1.328 (33.7)	1.062 (27.0)	.478 (12.1)	.062 (1.6)
20	1.531 (38.9)	1.156 (29.4)	.781 (19.8)	.203 (5.2)	1.453 (36.9)	1.156 (29.4)	.572 (14.5)	.094 (2.4)
22	1.656 (42.1)	1.250 (31.8)	.781 (19.8)	.203 (5.2)	1.578 (40.1)	1.250 (31.8)	.572 (14.5)	.094 (2.4)
24	1.781 (45.2)	1.375 (34.9)	.843 (21.4)	.203 (5.2)	1.703 (43.3)	1.375 (34.9)	.605 (15.4)	.094 (2.4)
28	2.031 (51.6)	1.562 (39.7)	.843 (21.4)	.203 (5.2)	N/A	N/A	N/A	N/A
32	2.281 (57.9)	1.750 (44.5)	.906 (23.0)	.359 (9.1)	N/A	N/A	N/A	N/A
36	2.531 (64.3)	1.938 (49.2)	.906 (23.0)	.359 (9.1)	N/A	N/A	N/A	N/A

MIL-DTL-38999 SERIES I, MIL-DTL-38999 SERIES II								
SHELL SIZE	J	K	L	M	N	O	P	Q
8, 9	.949 (24.1)	.719 (18.3)	.730 (18.5)	.085 (2.2)	.823 (20.9)	.594 (15.1)	.449 (11.4)	.063 (1.6)
10, 11	1.042 (26.5)	.812 (20.6)	.730 (18.5)	.085 (2.2)	.949 (24.1)	.719 (18.3)	.449 (11.4)	.063 (1.6)
12, 13	1.136 (28.9)	.906 (23.0)	.730 (18.5)	.085 (2.2)	1.042 (26.5)	.812 (20.6)	.449 (11.4)	.063 (1.6)
14, 15	1.230 (31.2)	.969 (24.6)	.730 (18.5)	.085 (2.2)	1.136 (28.9)	.906 (23.0)	.449 (11.4)	.063 (1.6)
16, 17	1.323 (33.6)	1.062 (27.0)	.730 (18.5)	.085 (2.2)	1.230 (31.2)	.969 (24.6)	.449 (11.4)	.063 (1.6)
18, 19	1.449 (36.8)	1.156 (29.4)	.730 (18.5)	.085 (2.2)	1.323 (33.6)	1.062 (27.0)	.449 (11.4)	.063 (1.6)
20, 21	1.573 (40.0)	1.250 (31.8)	.700 (17.8)	.115 (2.9)	1.449 (36.8)	1.156 (29.4)	.449 (11.4)	.063 (1.6)
22, 23	1.699 (43.2)	1.375 (34.9)	.700 (17.8)	.115 (2.9)	1.573 (40.0)	1.250 (31.8)	.449 (11.4)	.063 (1.6)
24, 25	1.823 (46.3)	1.500 (38.1)	.700 (17.8)	.115 (2.9)	1.699 (43.2)	1.375 (34.9)	.449 (11.4)	.063 (1.6)

MIL-DTL-38999 SERIES III, MIL-DTL-38999 SERIES IV									
SHELL SIZE	R	S	T	U	V	W	X	Y	Z
9 (A)	.949 (24.1)	.719 (18.3)	.594 (15.1)	.843 (21.4)	.110 (2.8)	N/A	N/A	N/A	N/A
11 (B)	1.043 (26.5)	.812 (20.6)	.719 (18.3)	.843 (21.4)	.110 (2.8)	1.051 (26.7)	.812 (20.6)	.819/.756	.094 (2.4)
13 (C)	1.138 (28.9)	.906 (23.0)	.812 (20.6)	.843 (21.4)	.110 (2.8)	1.146 (29.1)	.906 (23.0)	.819/.756	.094 (2.4)
15 (D)	1.232 (31.3)	.969 (24.6)	.906 (23.0)	.843 (21.4)	.110 (2.8)	1.240 (31.5)	.969 (24.6)	.819/.756	.094 (2.4)
17 (E)	1.322 (33.6)	1.062 (27.0)	.969 (24.6)	.843 (21.4)	.110 (2.8)	.335 (33.9)	1.062 (27.0)	.819/.756	.094 (2.4)
19 (F)	1.448 (36.8)	1.156 (29.4)	1.062 (27.0)	.843 (21.4)	.110 (2.8)	1.461 (37.1)	1.156 (29.4)	.819/.756	.094 (2.4)
21 (G)	1.574 (40.0)	1.250 (31.8)	1.156 (29.4)	.811 (20.6)	.137 (3.5)	1.583 (40.2)	1.250 (31.8)	.819/.756	.126 (3.2)
23 (H)	1.700 (43.2)	1.375 (34.9)	1.250 (31.8)	.811 (20.6)	.137 (3.5)	1.709 (43.4)	1.375 (34.9)	.819/.756	.126 (3.2)
25 (J)	1.822 (46.3)	1.500 (38.1)	1.375 (34.9)	.811 (20.6)	.137 (3.5)	1.835 (46.6)	1.500 (38.1)	.819/.756	.126 (3.2)

**DISCLAIMER**

ALL INFORMATION IN THIS CATALOG IS BELIEVED TO BE RELIABLE. READERS SHOULD INDEPENDENTLY EVALUATE EACH PRODUCT TO CONFIRM SUITABILITY WITH HIS/HER SPECIFIC APPLICATION. TOPFLITE COMPONENTS MAKES NO WARRANTIES AS TO THE ACCURACY OR COMPLETENESS OF THE INFORMATION AND DISCLAIM ANY LIABILITY REGARDING ITS USE. SPECIFICATIONS ARE SUBJECT TO CHANGE WITHOUT NOTICE. TOPFLITE COMPONENTS PROCESSES OR MATERIALS THAT DO NOT AFFECT COMPLIANCE WITH ANY APPLICABLE SPECIFICATION ARE SUBJECT TO CHANGE WITHOUT NOTICE.